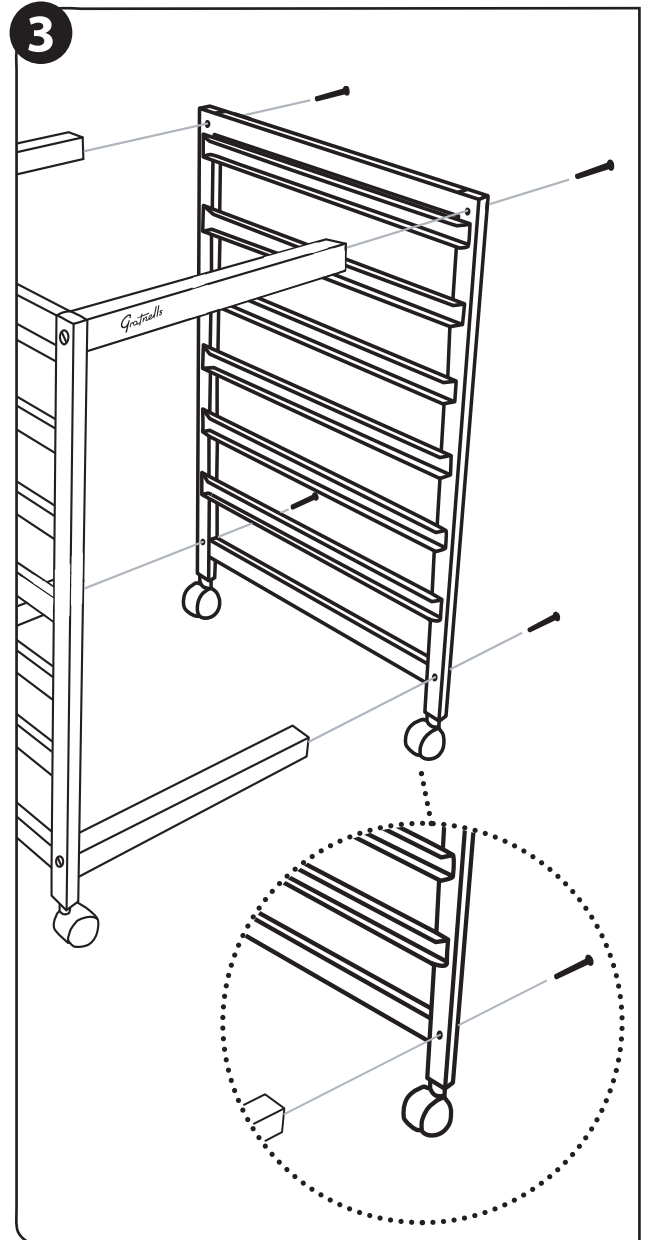
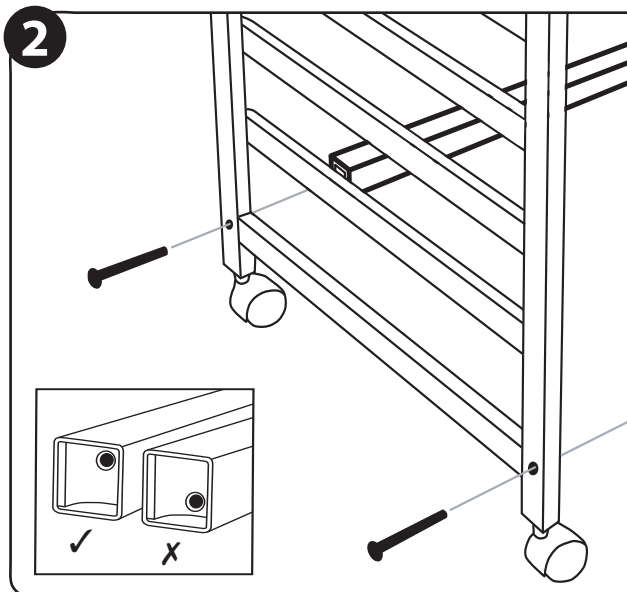
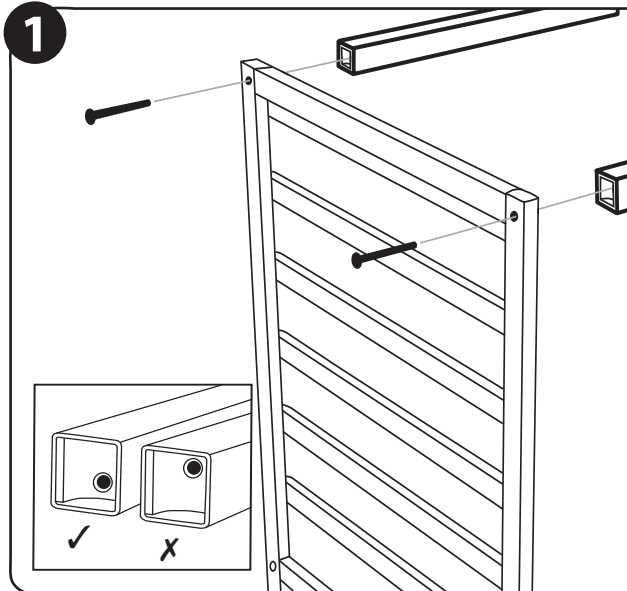
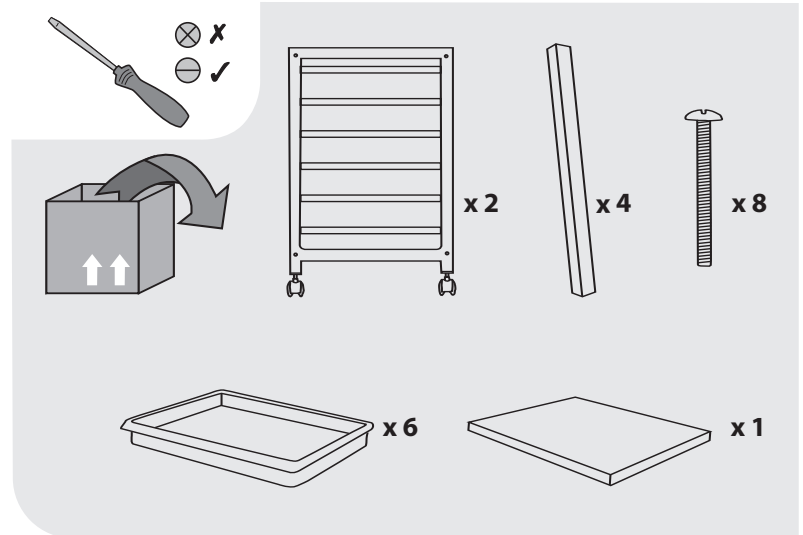


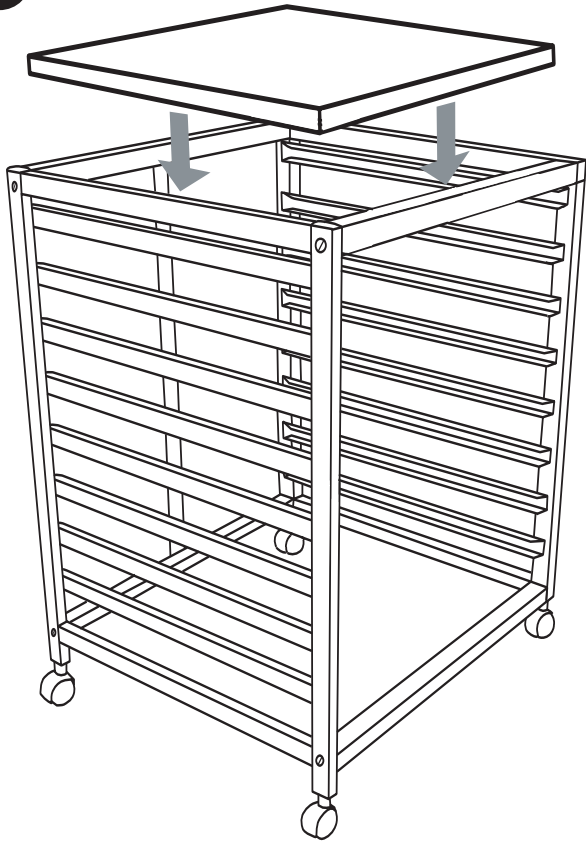
Assembly Instructions



Reference: 401



4



?



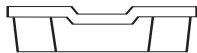
+ 44 (0)1279 401550



trays@gratnells.co.uk

+

A

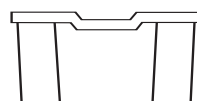


x6

B

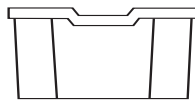


x2



x2

C

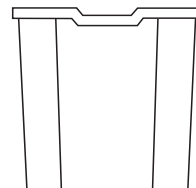


x3

D

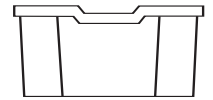


x2

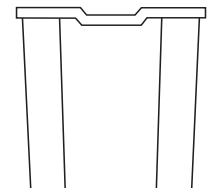


x1

E



x1



x1