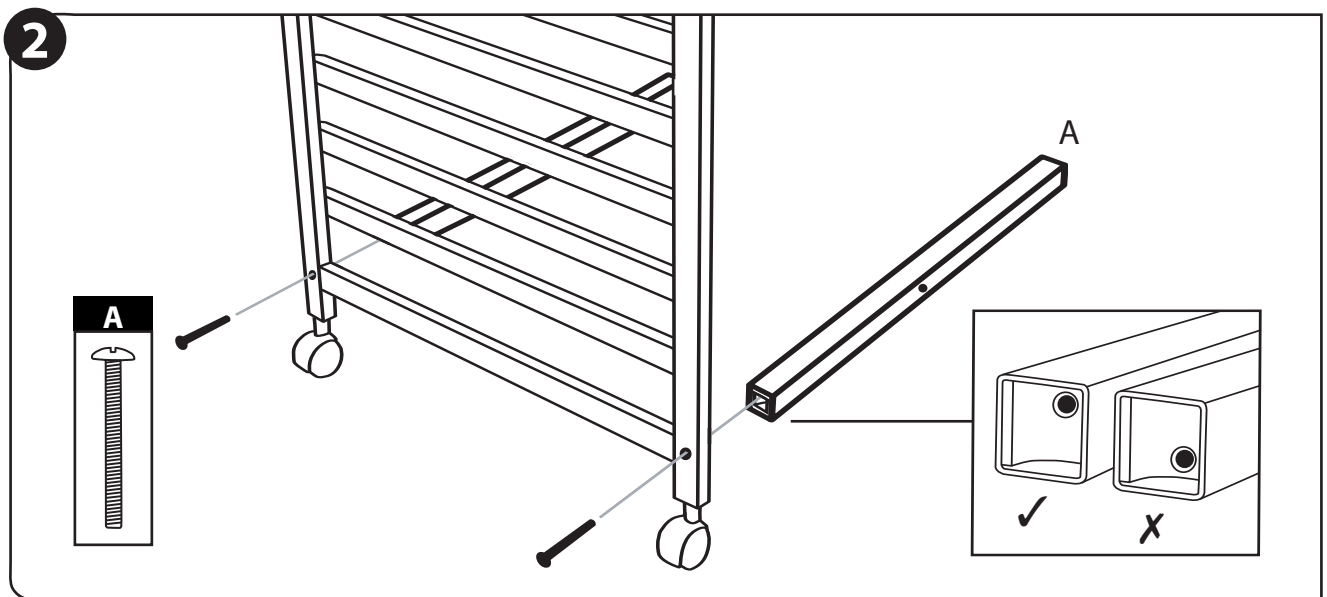
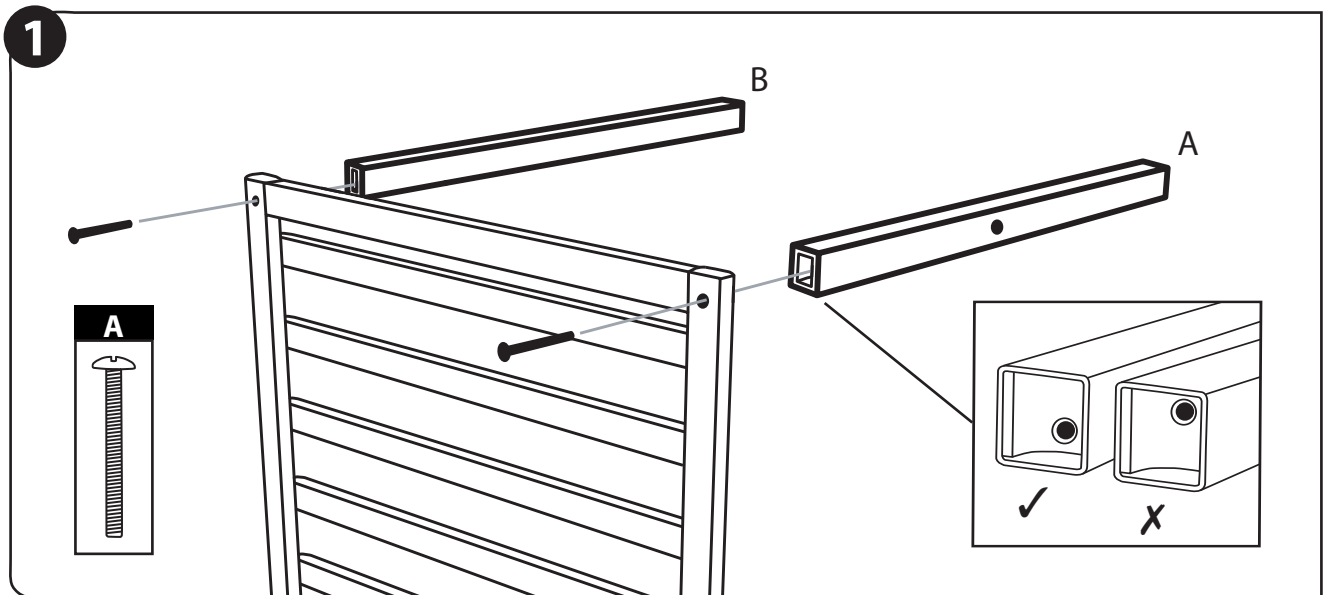
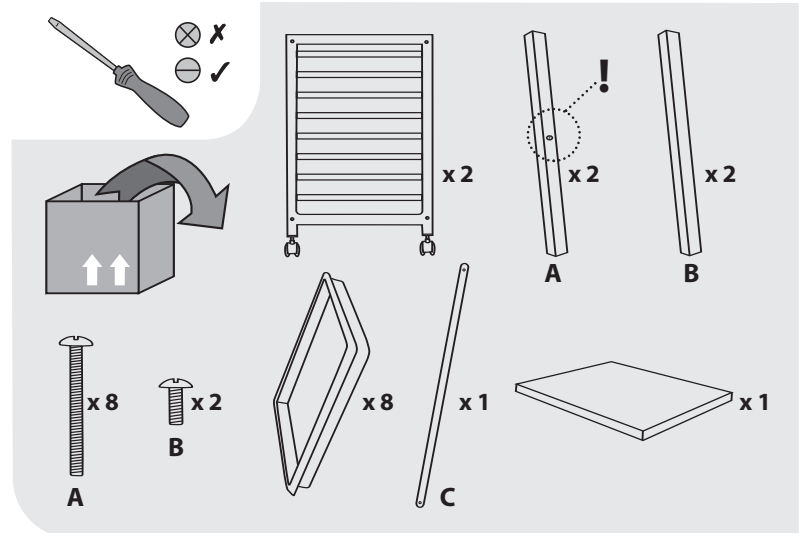


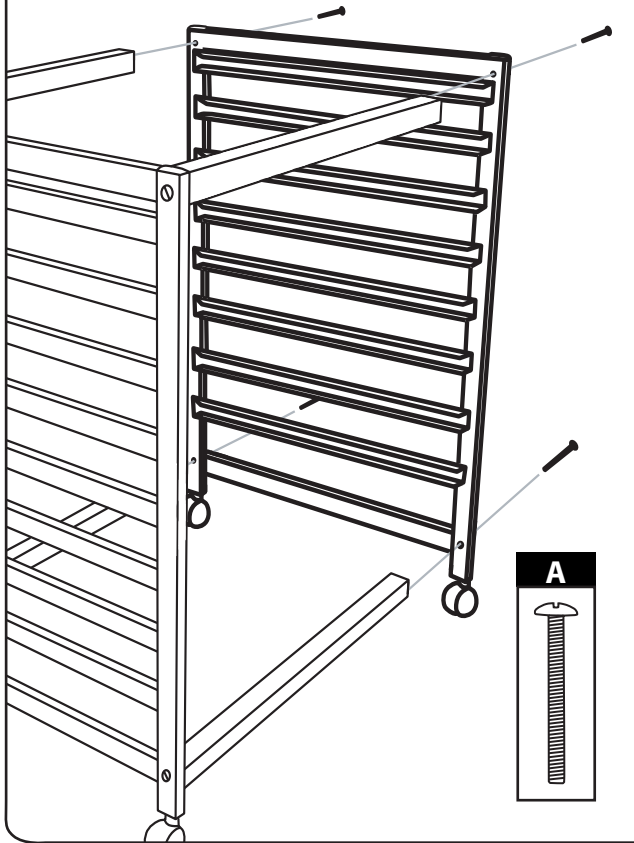
# Assembly Instructions



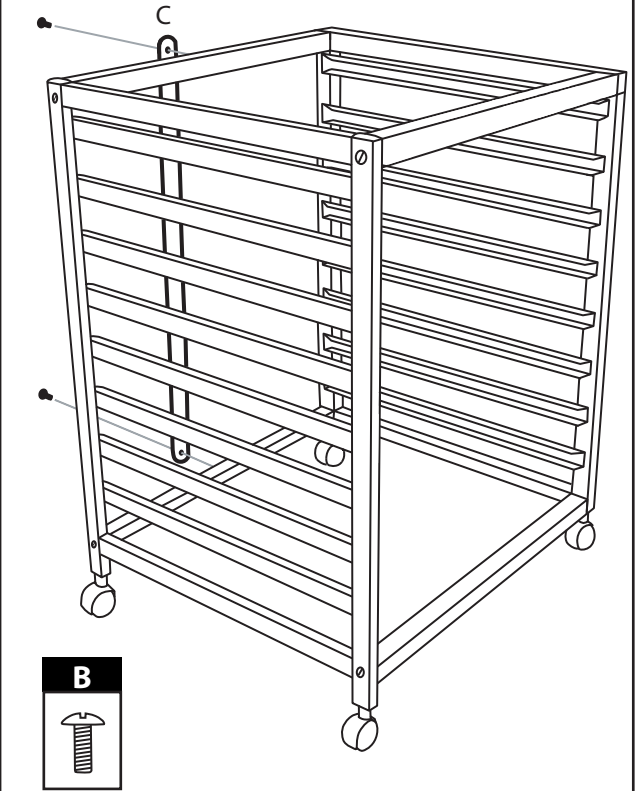
Reference: 901



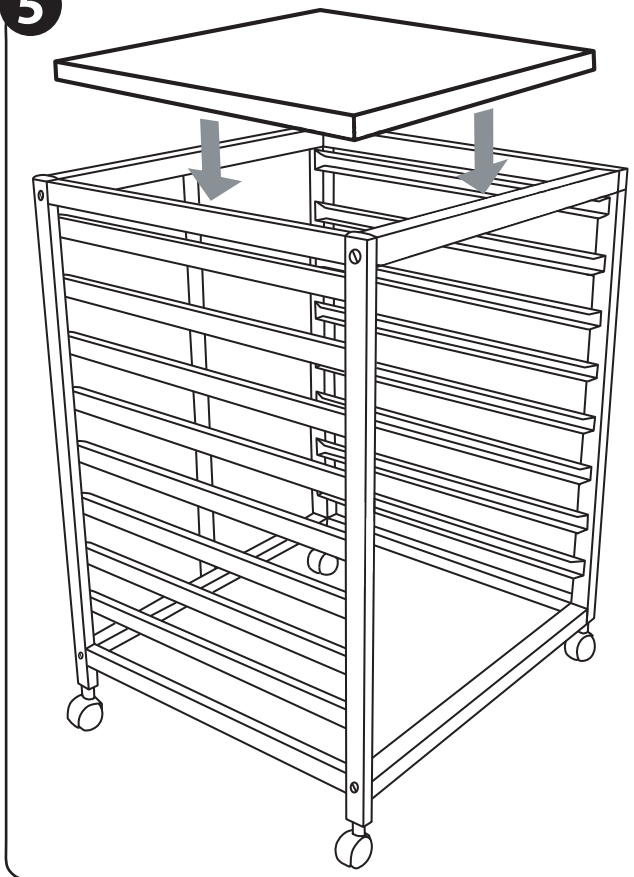
3



4



5



?



+ 44 (0)1279 401550



trays@gratnells.co.uk