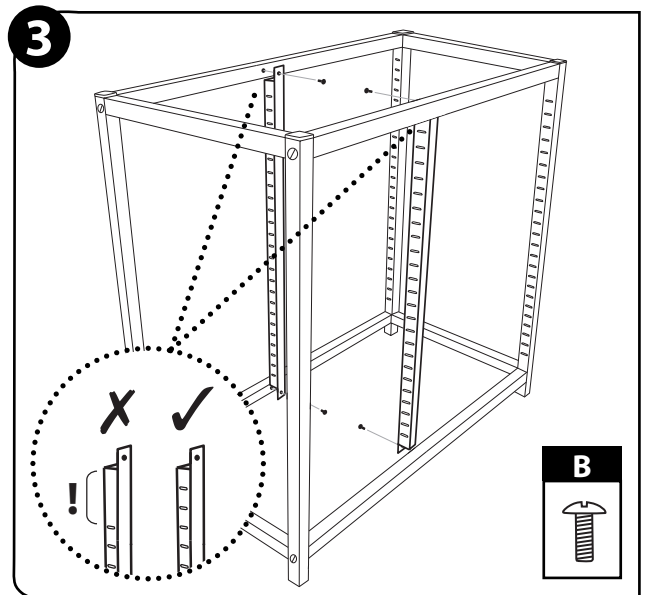
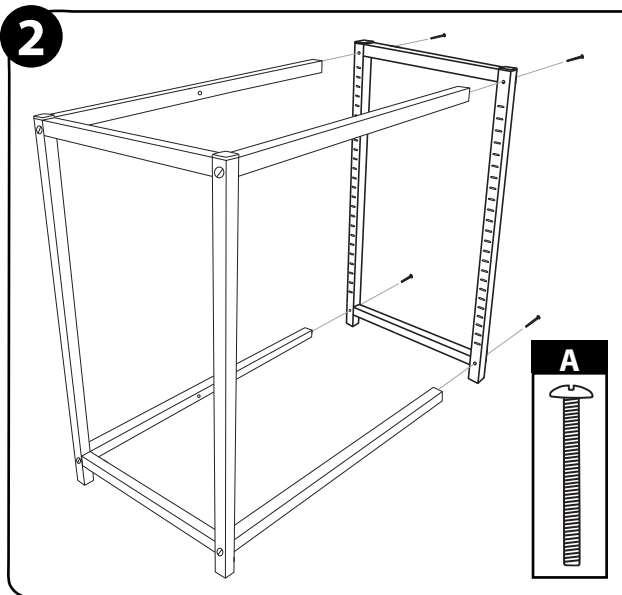
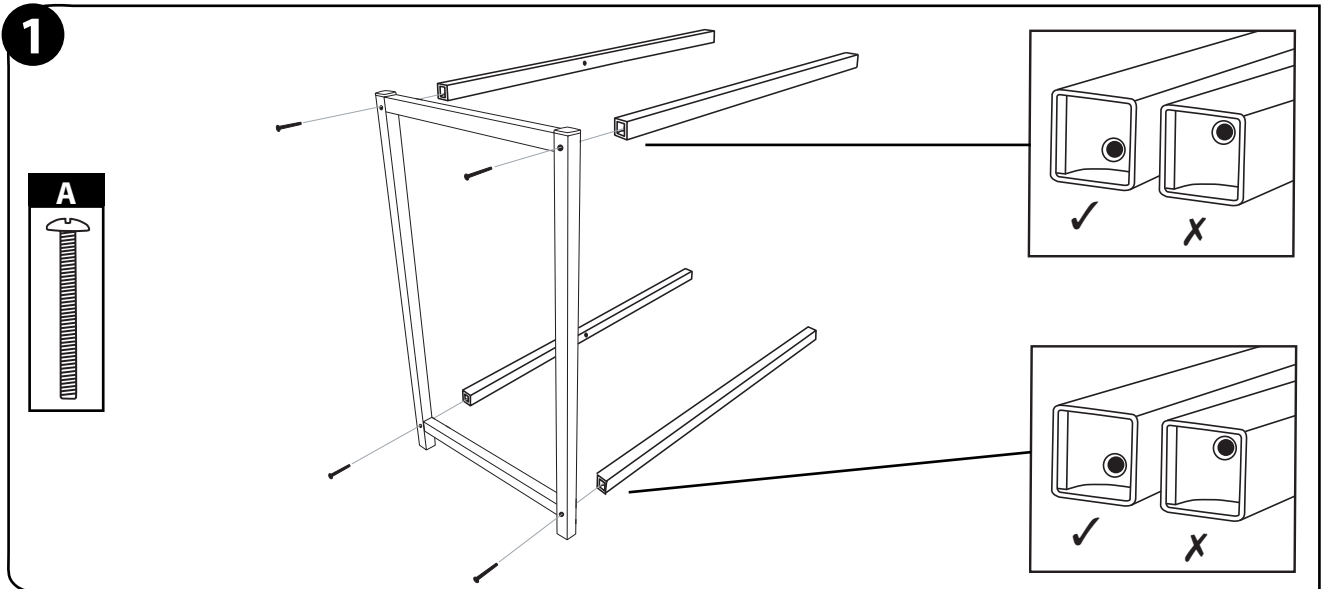
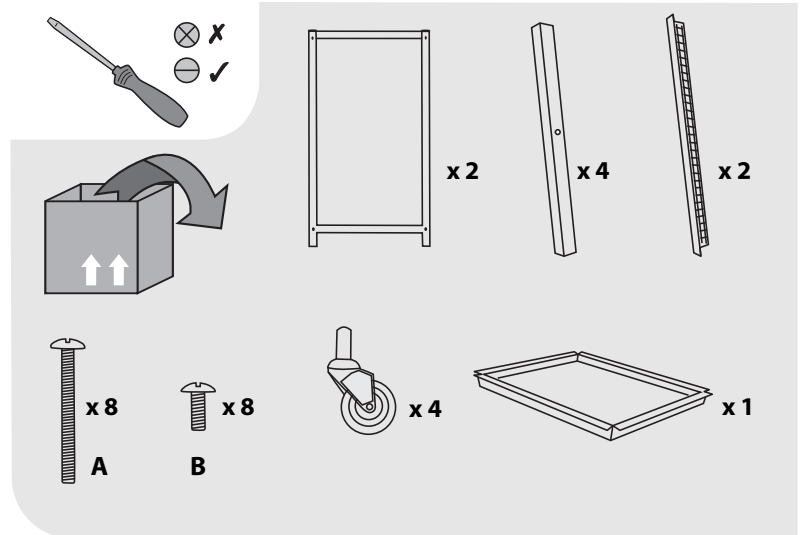


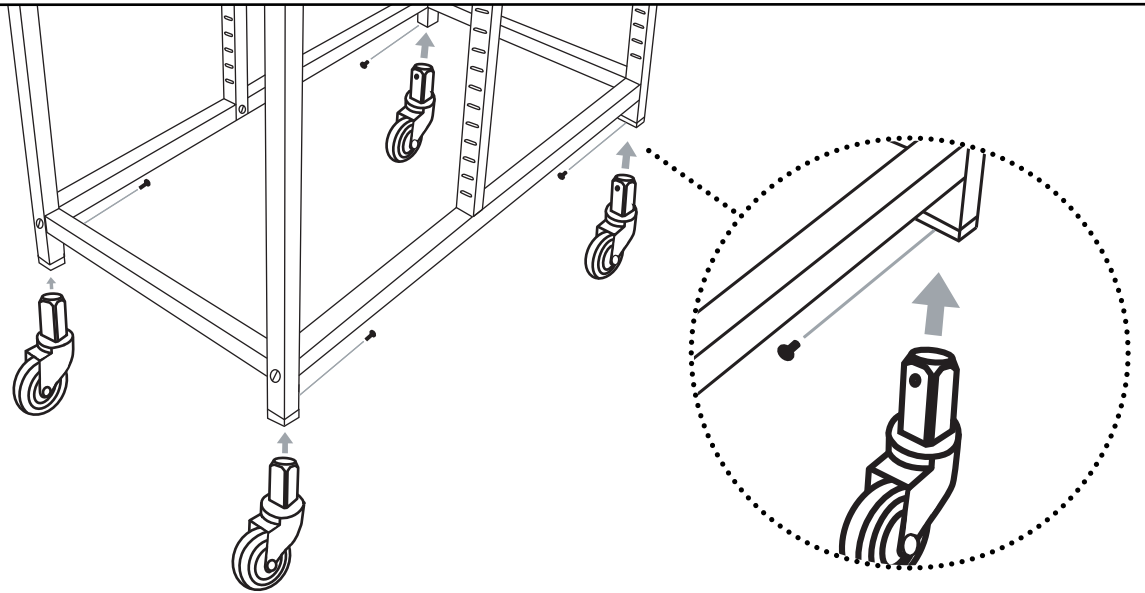
Assembly Instructions



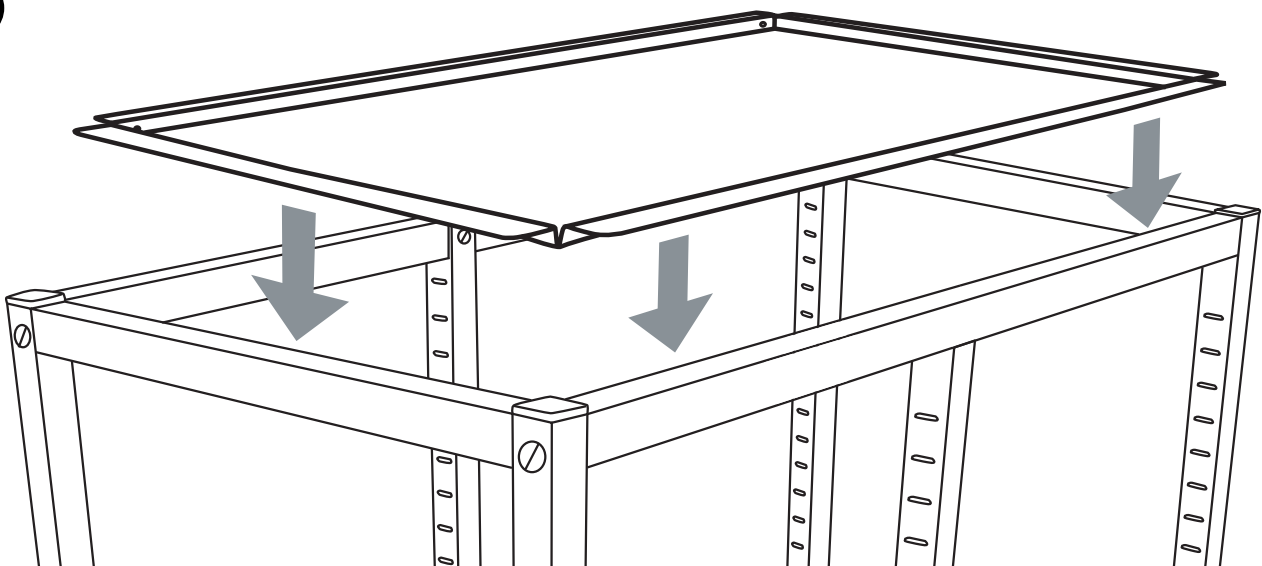
Reference: 2025



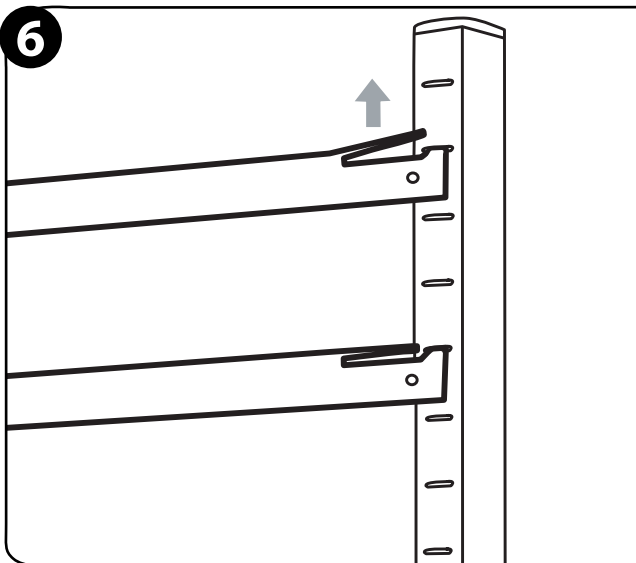
4



5



6



?



+ 44 (0)1279 401550



trays@gratnells.co.uk