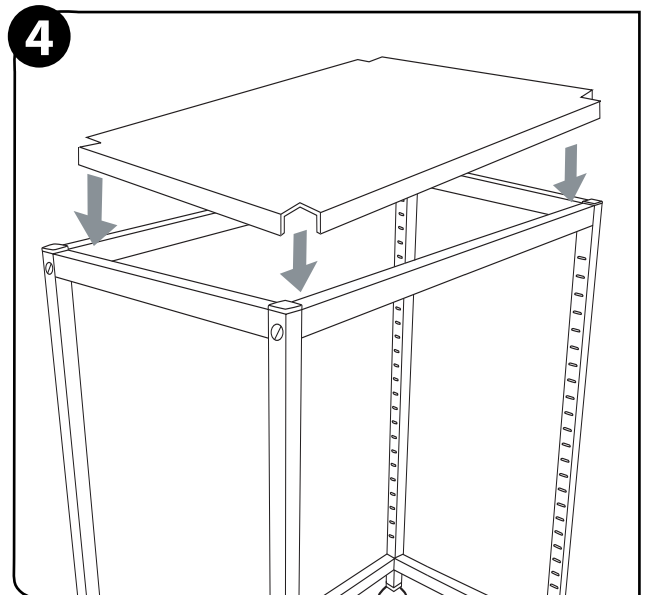
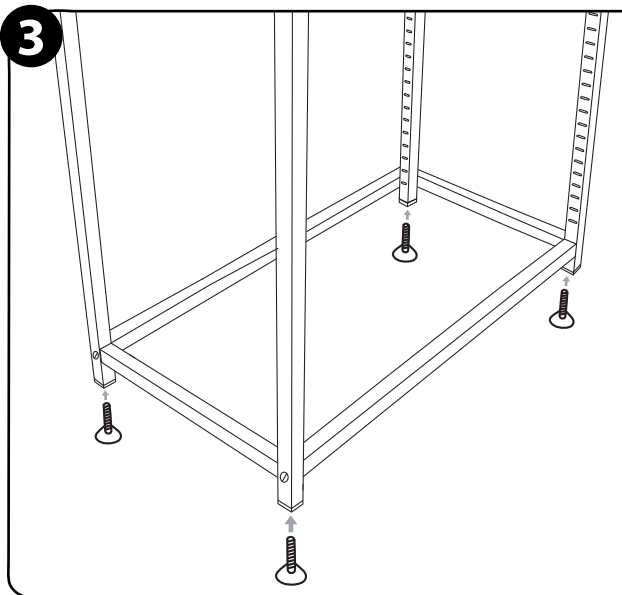
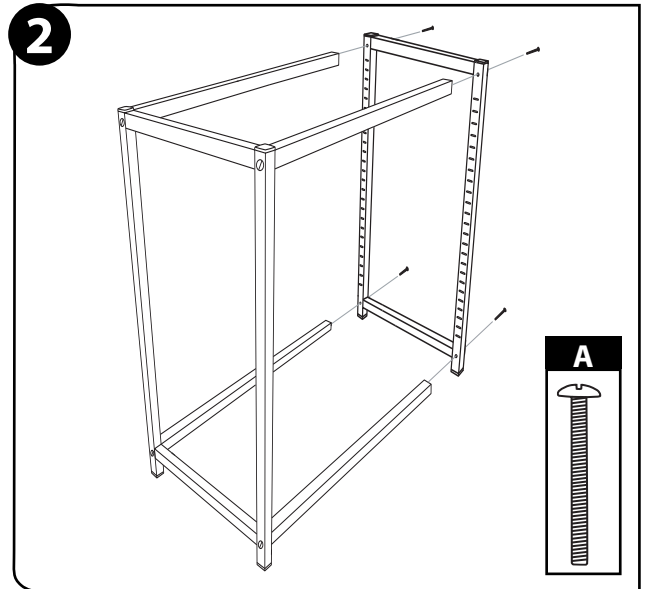
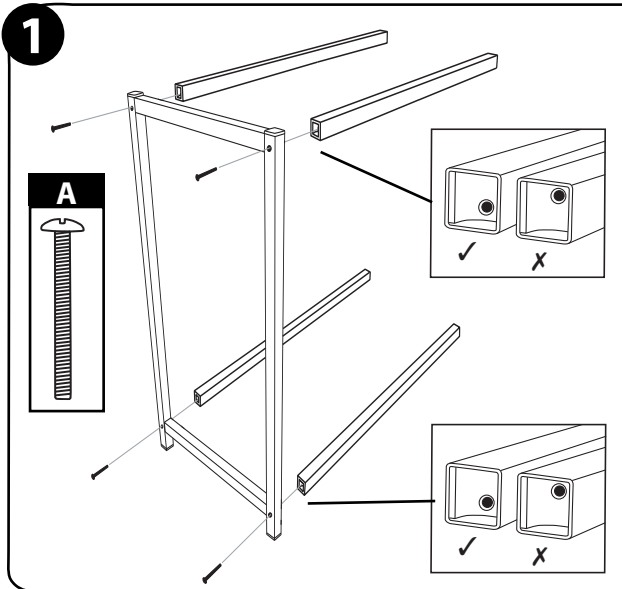
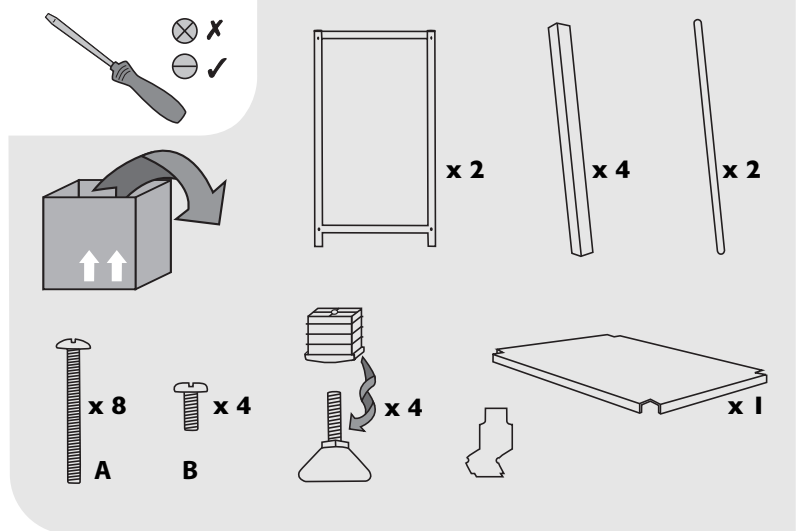


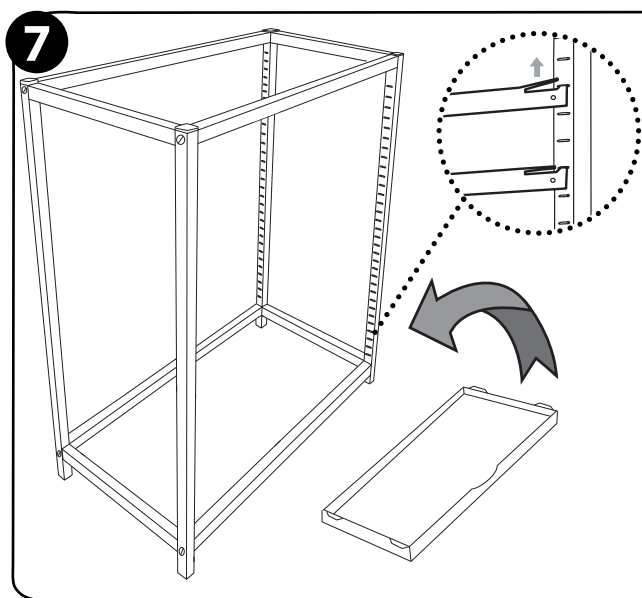
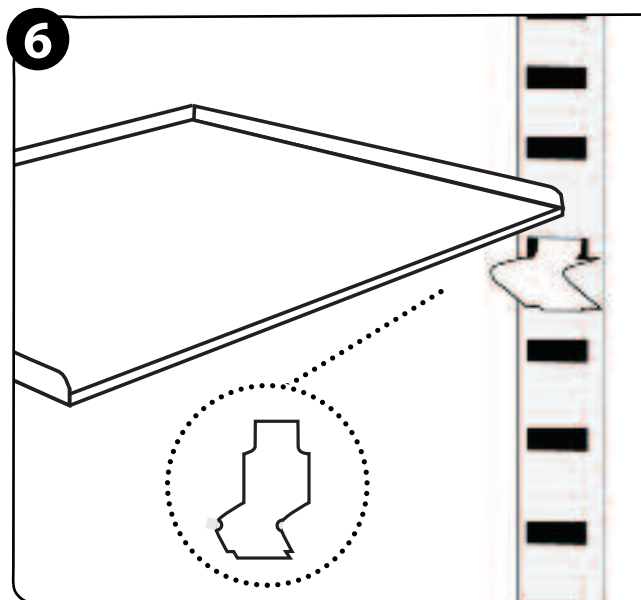
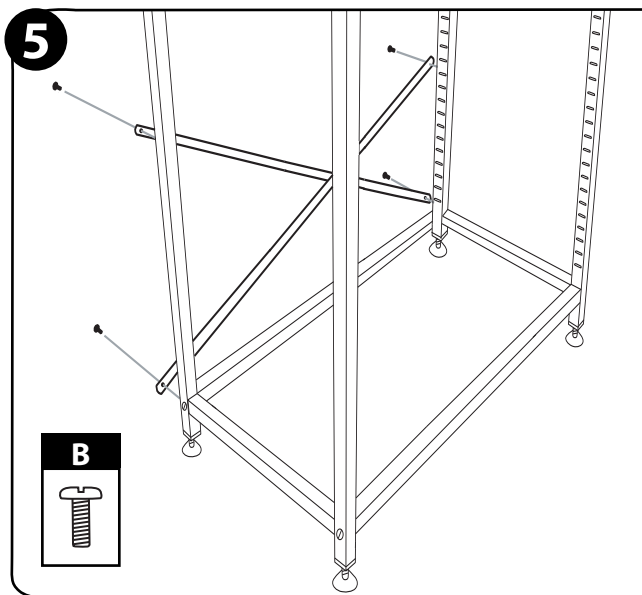
Assembly Instructions

1850 H mm



Reference: **3622D**





?



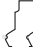
+ 44 (0)1279 401550



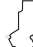
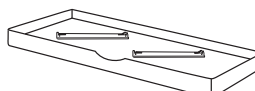
trays@gratnells.co.uk

+


D

 **x 16**

E

 **x 8 +**  **x 6**

F

 **x 24**