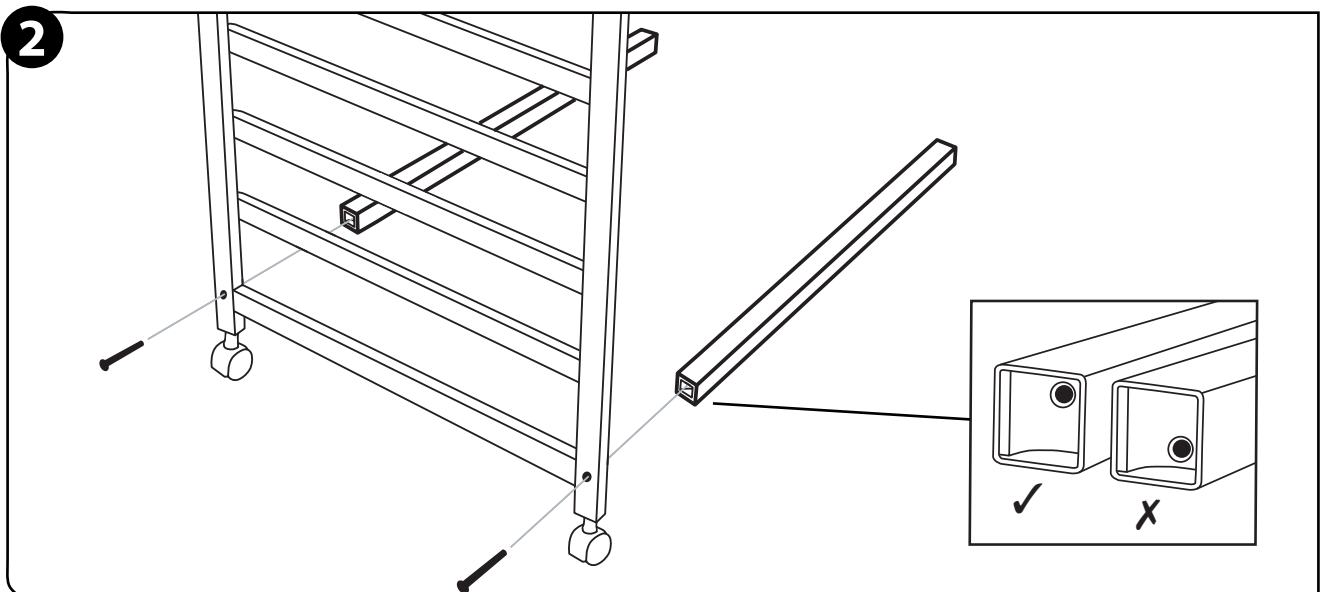
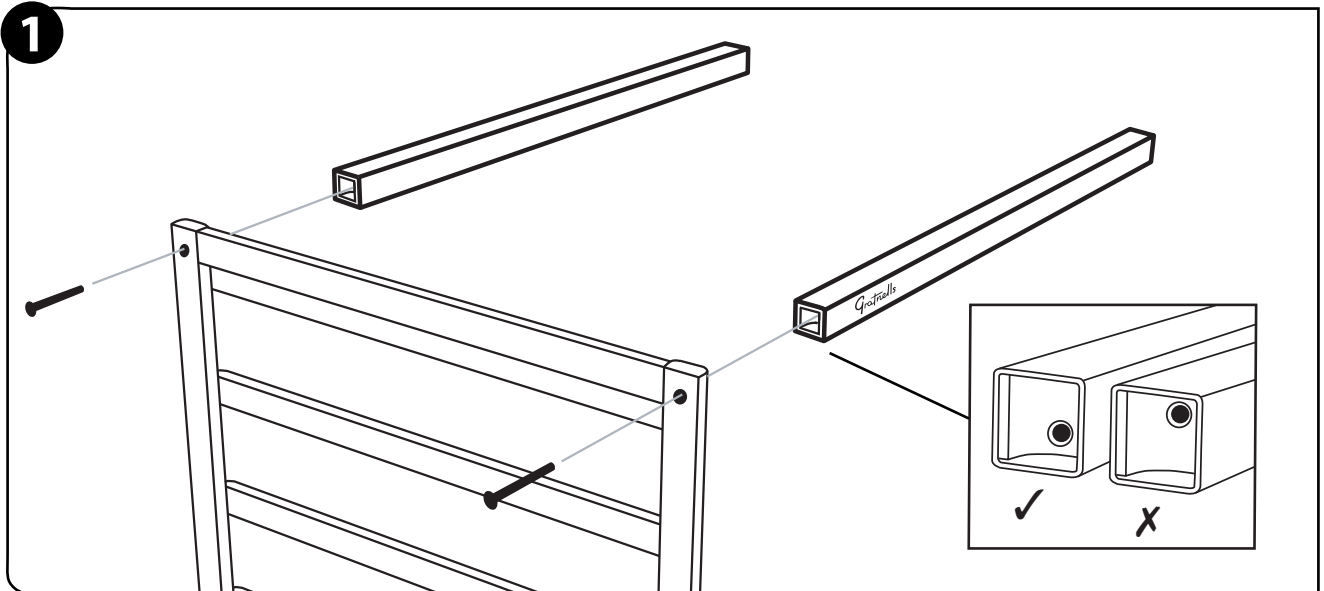
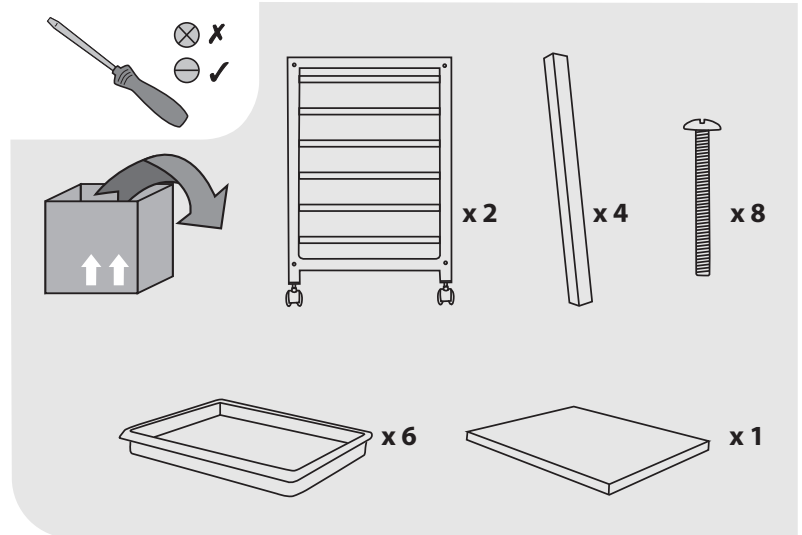


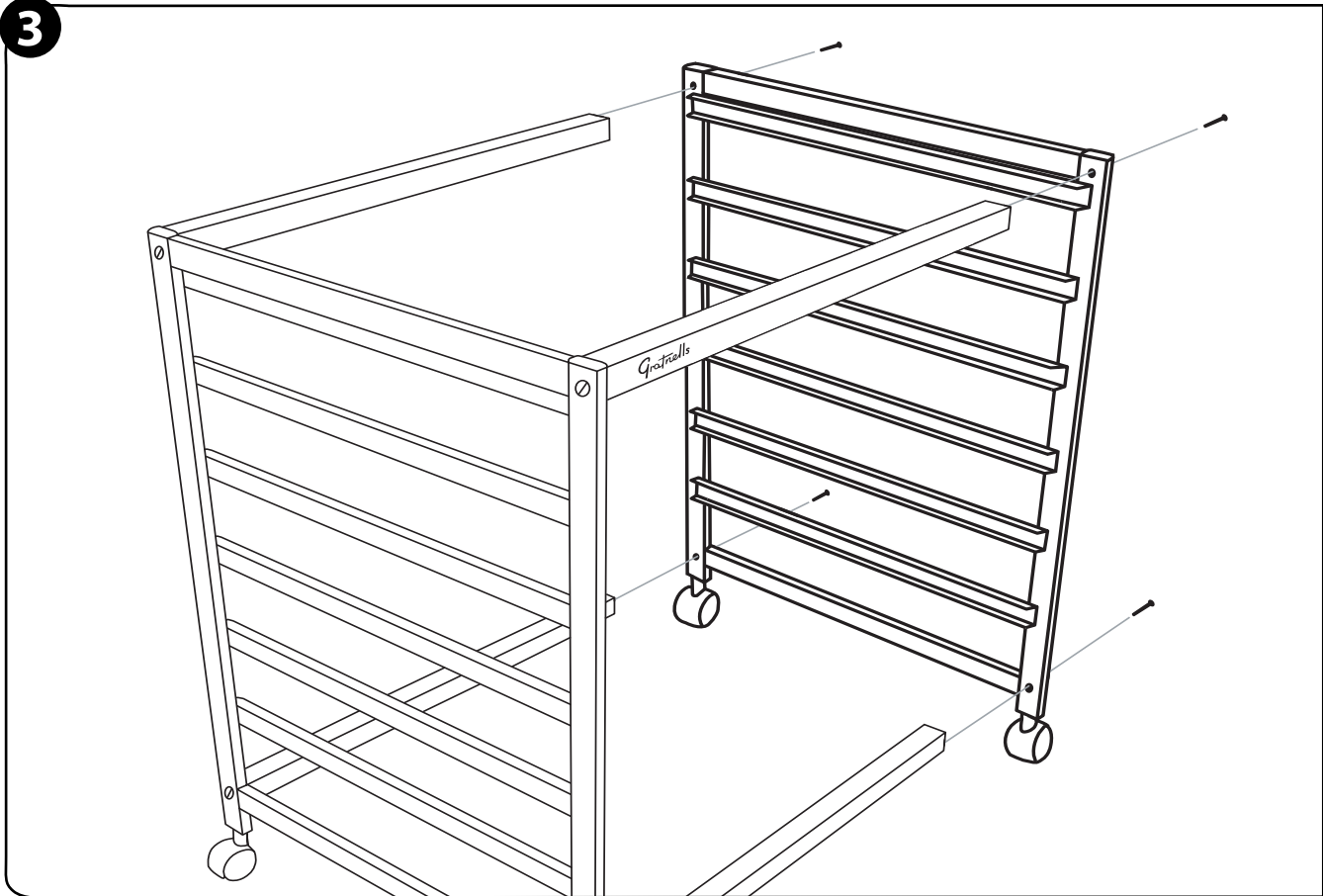
# Assembly Instructions



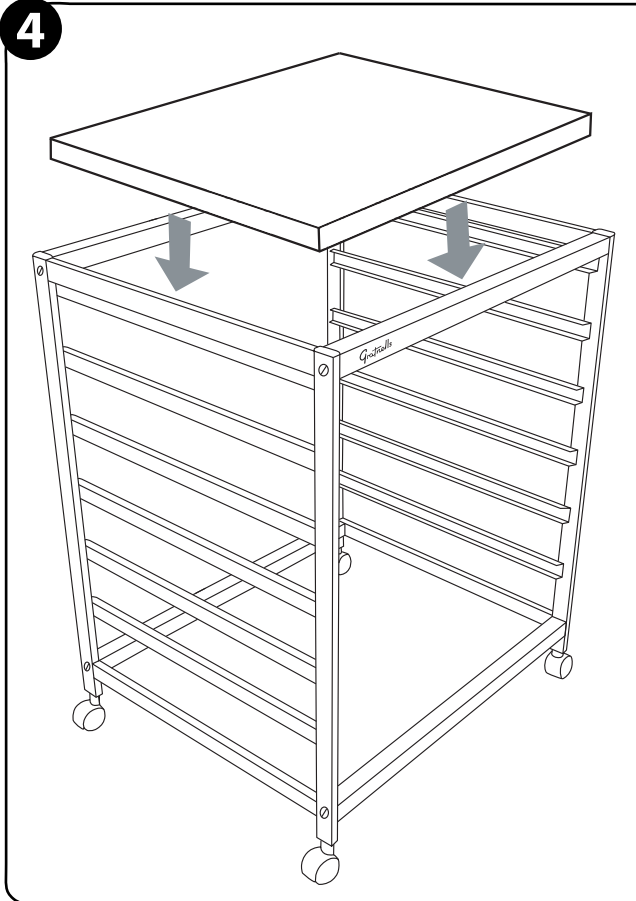
Reference: 801



3



4



?



**+ 44 (0)1279 401550**



**trays@gratnells.co.uk**