

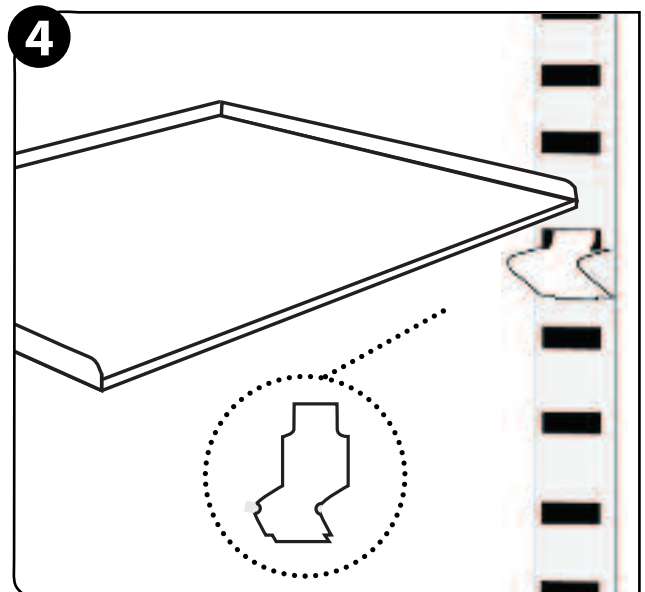
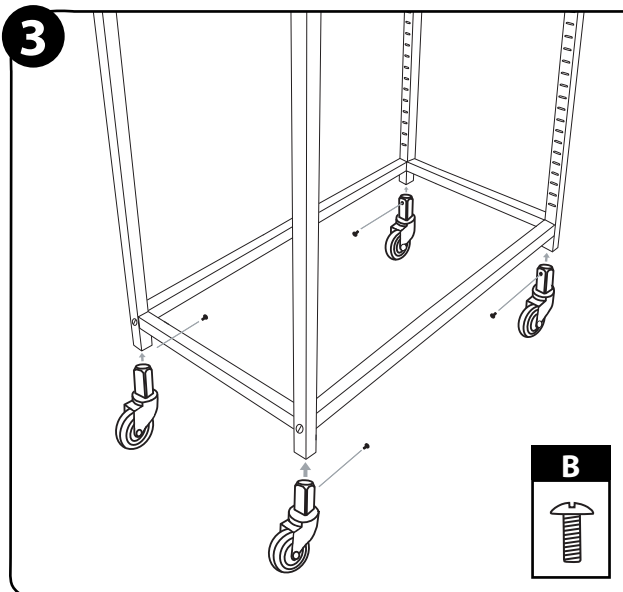
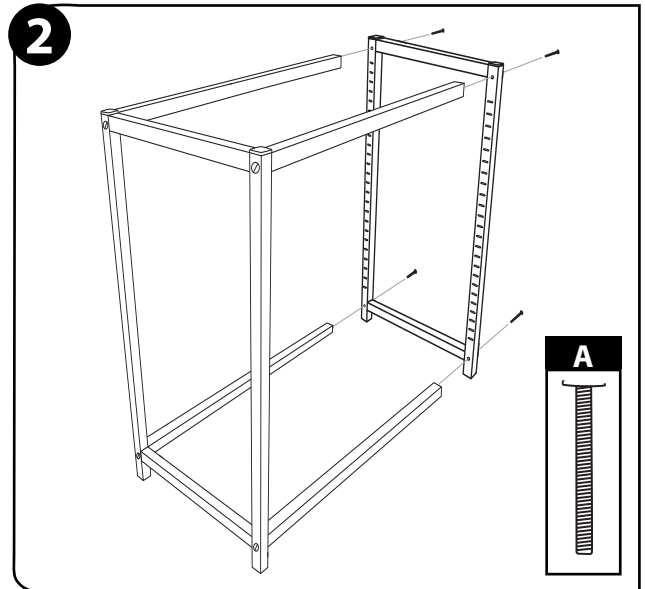
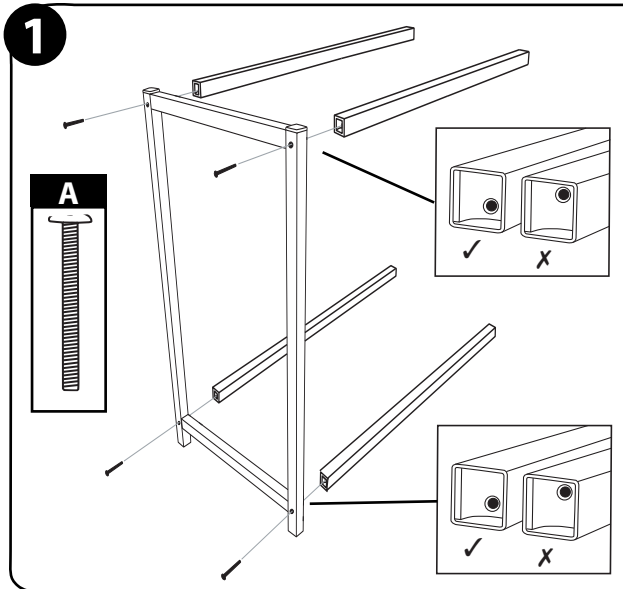
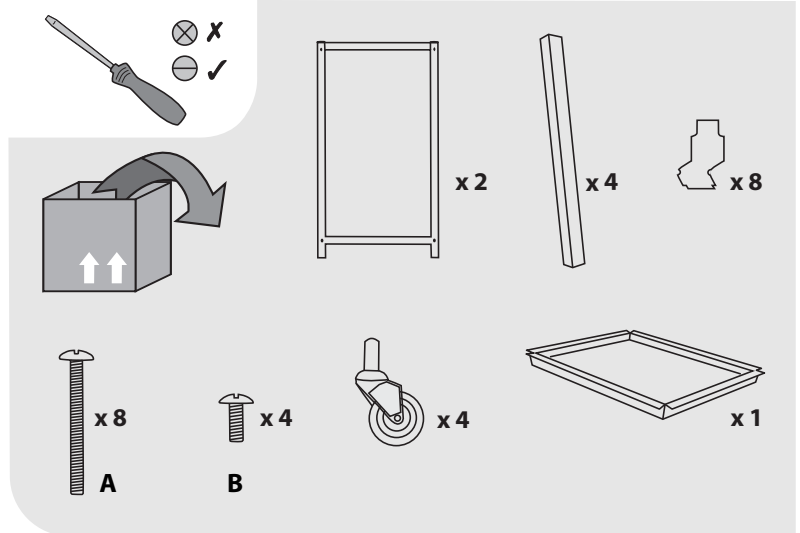
Assembly Instructions

850 / 725 H mm

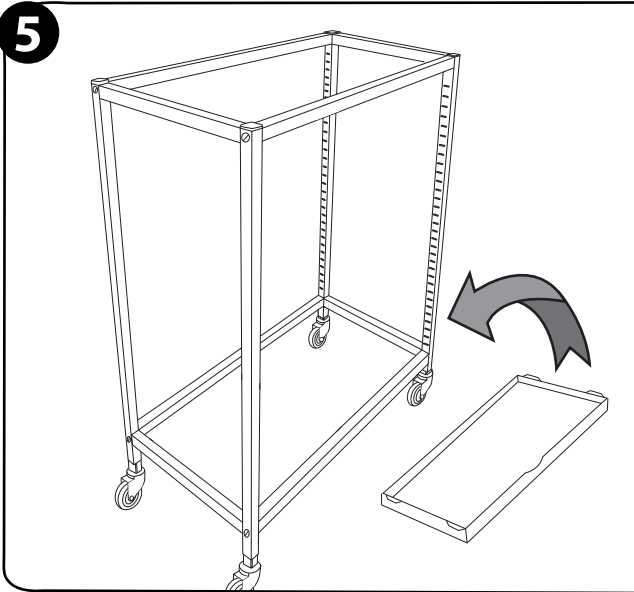


710 / 1055 W mm

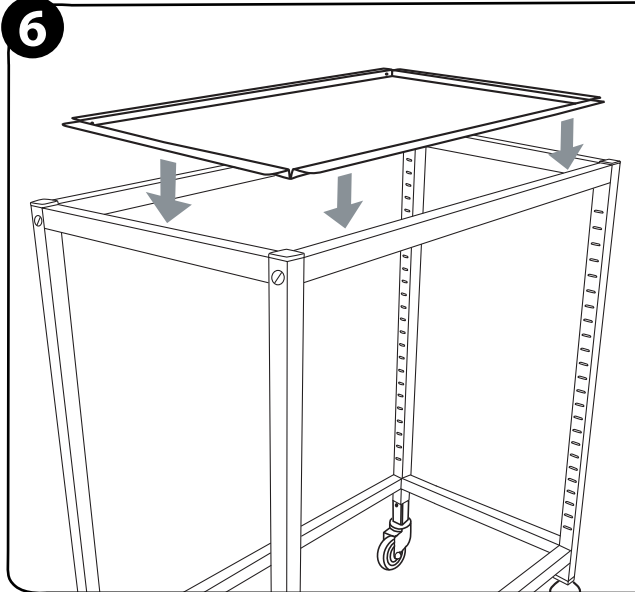
Reference: **2022/3022**



5



6



+

3022 W

3022 Y

2022 U

2022 V



?



+ 44 (0)1279 401550



trays@gratnells.co.uk