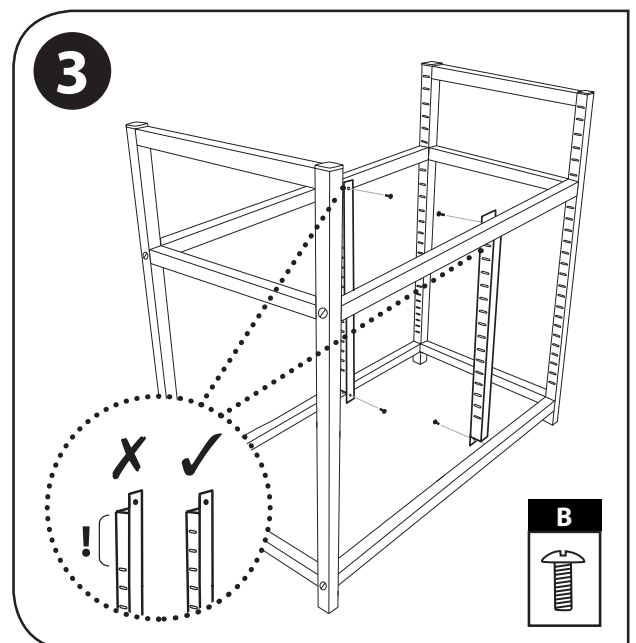
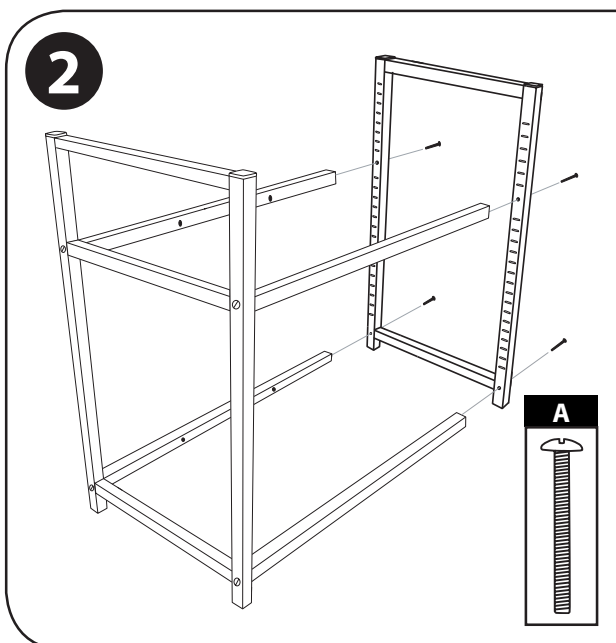
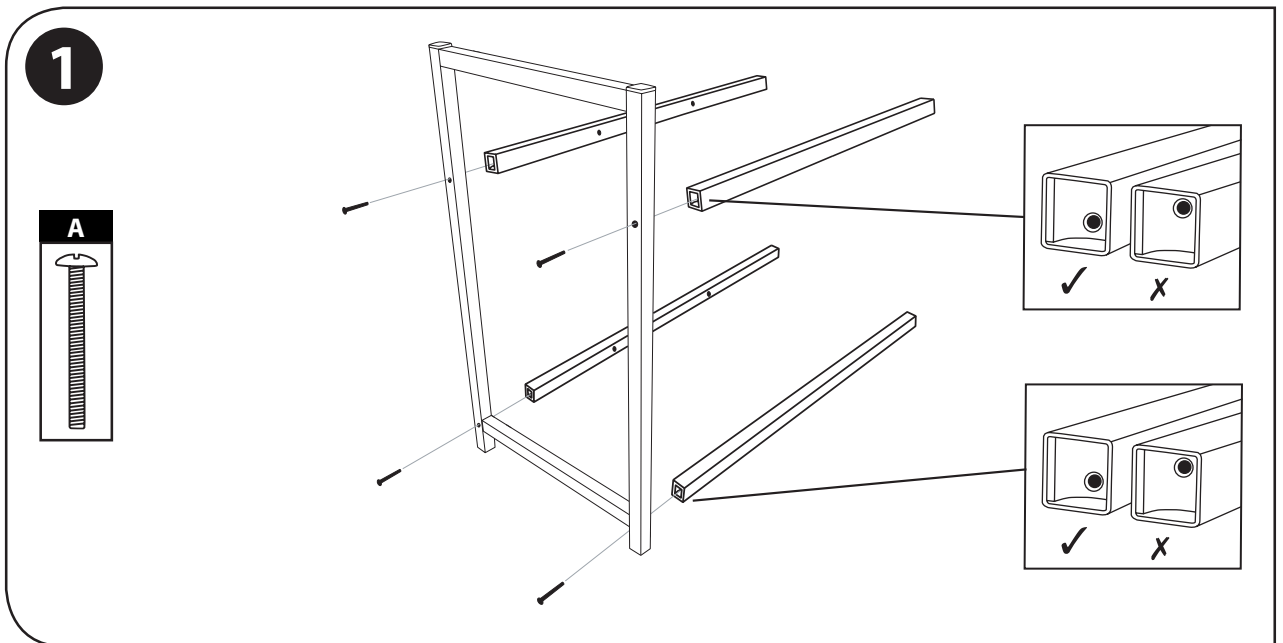
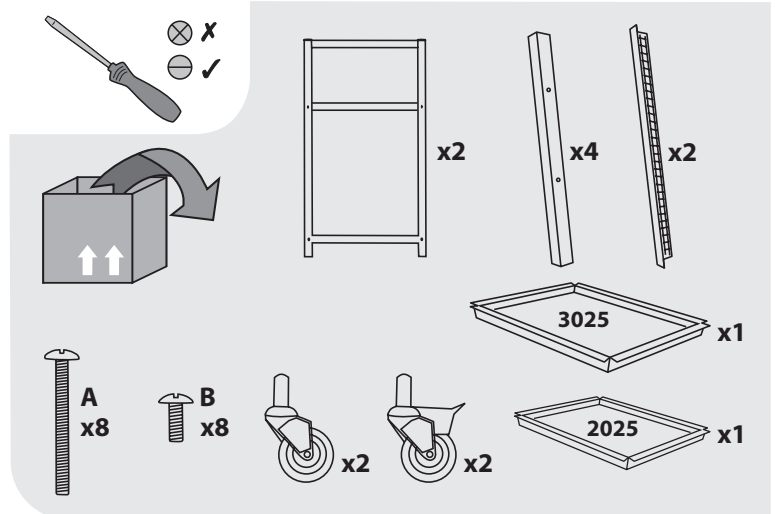
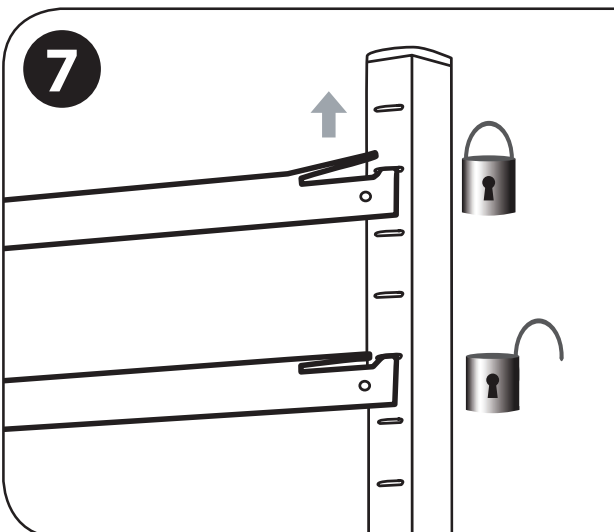
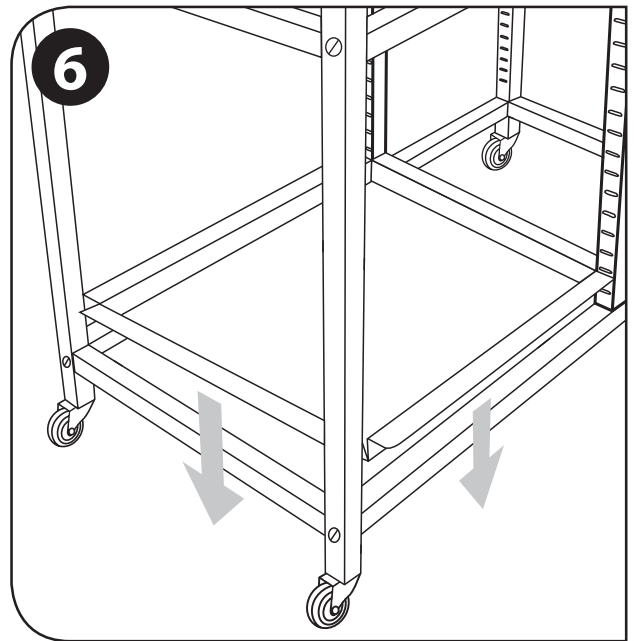
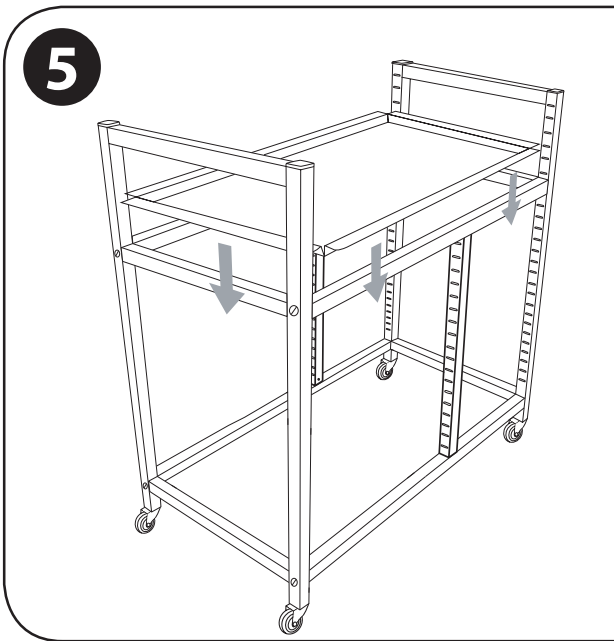
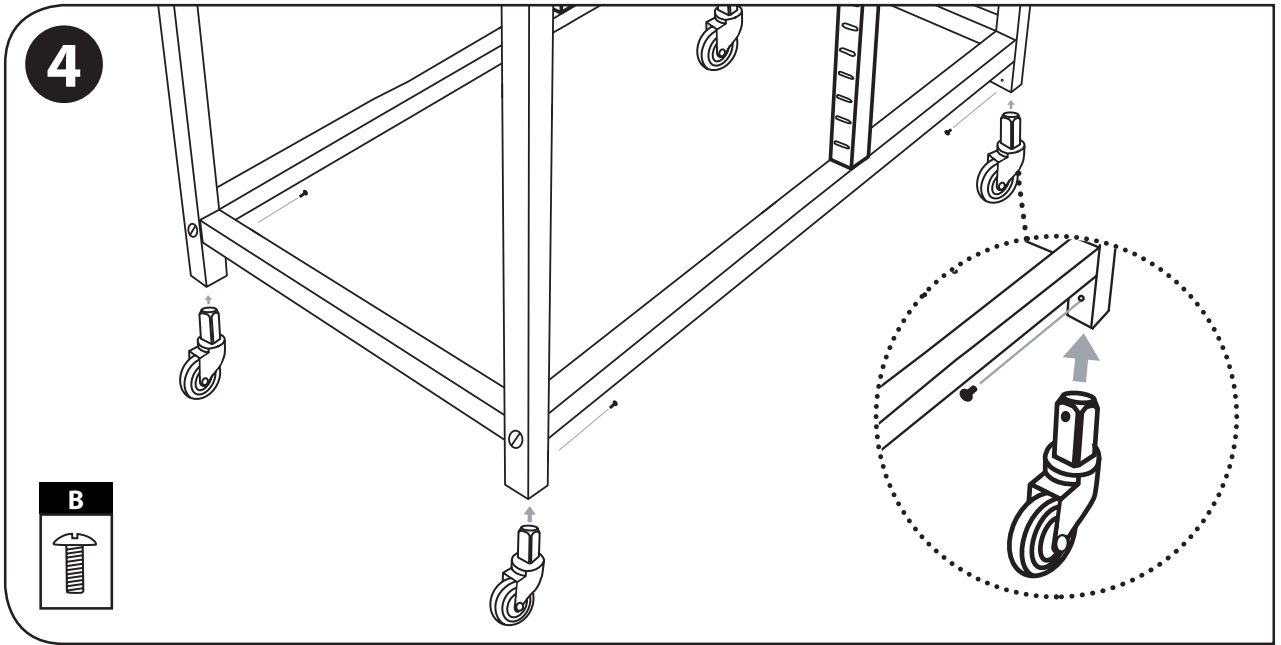


Assembly Instructions



Code	School:	3021
------	---------	------





? Customer support
 Call + 44 (0)1279 401550
 Email trays@gratnells.co.uk

Gratnells websites
 Education website
www.gratnells.com
 Medical website
www.gratnellsmedical.com
 Veterinary website
www.gratnellsveterinary.com

