

Wooden Furniture Accessories Range

Mini Runner

For Cubby tray and Side handle N tray in wooden furniture

Following on from the launch of Gratnells newest tray, the Cubby tray, we have developed a new mini runner. Based on our standard plastic runner for wooden furniture this is a shorter version which allows shallower furniture holding the Cubby tray and also the NS1 and NS2 trays. So now new opportunities for wooden furniture manufacturers exist to make more compact cabinets using these three trays together or separately.



For use with	
NS1	J2
NS2	
For more go to www.gratnells.co.uk	



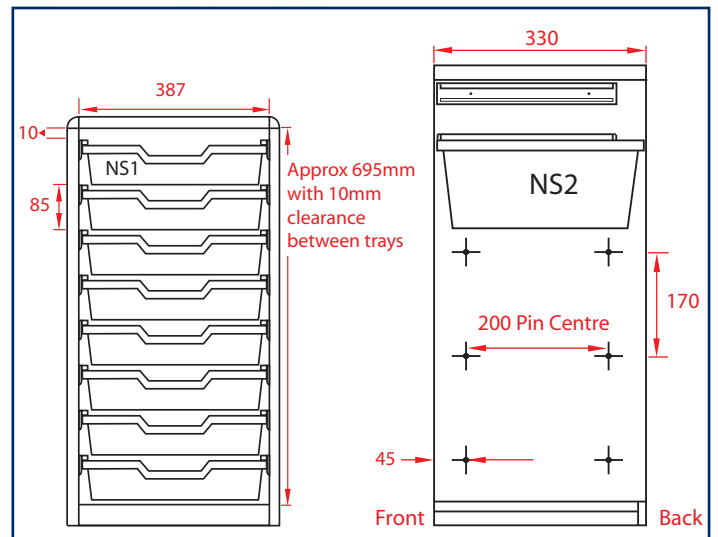
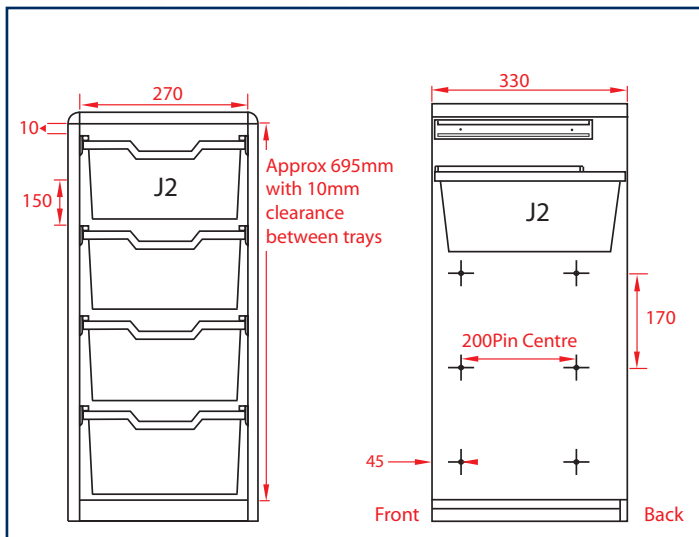
Product Code

P3

Wooden furniture Accessories Range

Mini Runner

For Cubby tray and Side handle N tray in wooden furniture



Packaging

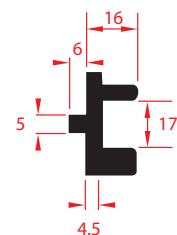
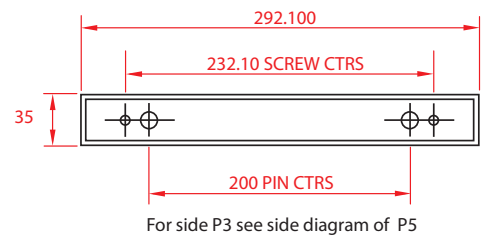
Put in boxes or bags as required.

Box Height	Awaiting info
Box Width	Awaiting info
Box Depth	Awaiting info
Weight	Awaiting info
No. on Pallet	50 pairs
Type pallet	Euro cartons
Available From	Immediately
Supply	Direct to UK School or your warehouse

All measurements in mm.

Product

Height	35 mm / 1 1/3"
Width	292mm / 11 1/2"
Depth	16 mm / 1/6"
Fit trays	J2, NS1, NS2
Product Code	P3
Colours	Beige



Ask for your FREE sample now on **0044 (0)1279 401550**

Download a range of pictures from the *Trade Section* of our website.
www.gratnells.co.uk

