

# Quadrant Tray Pack

## Corner tray with wall-mounting bracket

Brand new for Spring 2011 we are pleased to present the newest addition to our world-leading school tray range. The Gratnells Quadrant tray has been designed to maximise classroom space by fitting neatly into corners with specially designed wall-mounted brackets.

So now teachers can choose exactly the right classroom storage to suit their needs without having to worry about sharp corners or wasted space.

### Pack Codes:

Supplied in packs of 2x trays and 2x brackets.

Flame Red

**Q2PACKR**

Royal Blue

**Q2PACKDB**

Sunshine Yellow

**Q2PACKY**

Grass Green

**Q2PACKDG**

Translucent

**Q2PACKT**



### Other products in Range



Q2 Corner Tray



Labels

For more go to

[www.gratnells.co.uk](http://www.gratnells.co.uk)

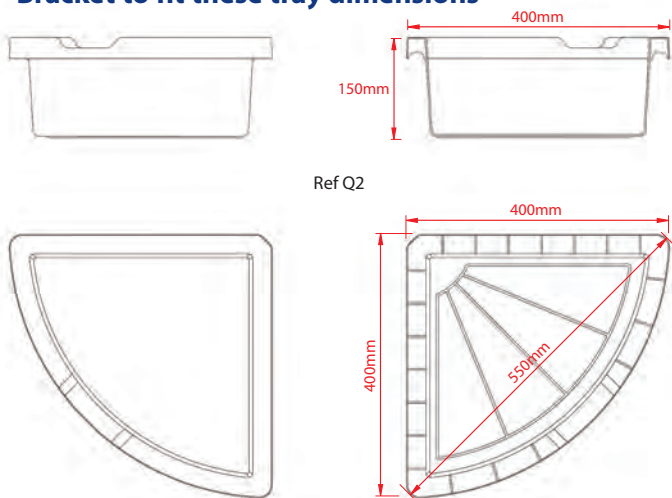


Brackets wall-mount quadrant trays into corners.

# Quadrant Tray Pack

## Corner tray with wall-mounting bracket

### Bracket to fit these tray dimensions



### Pack Codes:

Translucent Q2PACKT  
 Royal Blue Q2PACKDB  
 Sunshine Yellow Q2PACKY  
 Grass Green Q2PACKDG  
 Flame Red Q2PACKR



### Fixings

Fix with screws and wall plugs, (all included).



### Suggested Marketing Copy

- Specially designed to be wall-mounted in corners, separate to other school furniture.
- Supplies in packs of 2 wall brackets..
- Choose from Flame Red, Royal Blue, Sunshine Yellow, Grass Green or Translucent.
- Fix to wall at your choice of height.
- Trays made from 100% recyclable material. Bracket made from plastic coated steel.

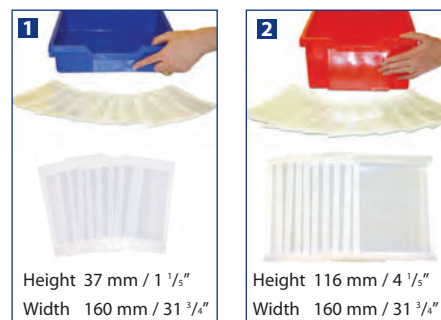


### Bulk Packaging

UK High Pallet	8 columns of 14
No. on Pallet	112
Box Height	1000mm / 40"
Box Width	1200mm / 47"
Box Depth	1000mm / 40"
Weight	22kg / 48.5lb
Available From	Immediately
Supply	Direct to your warehouse

### Accessories

Products that may be used with Quadrant Tray.



Product	Code	Sold in Packs of
1 Small Label Holder	F1LABELHOLDER	10
2 Large Label Holder	F2LABELHOLDER	10

### Tray Information

Height	150mm / 5.9"
Width	400 mm / 15.7"
Length	400 mm / 15.7"
Product Code	<b>Q2</b>
Certificate	Q2 FIRA Certificate

### Bracket Information

Height	50mm / 1.9"
Width	510 mm / 20.07"
Length	350 mm / 13.77"
Product Code	<b>Q2BRACKET</b>
Certificate	Available soon

Ask for your FREE sample now on **0044 (0)1279 401550**

Download a range of pictures from the *Trade Section* of our website.  
[www.gratnells.co.uk](http://www.gratnells.co.uk)