

# Quadrant Tray

## Tray to fit corner wooden furniture

Brand new for Spring 2011 we are pleased to preview the next addition to our world-leading school tray range. The Gratnells Quadrant tray has been designed to maximise classroom space by fitting into corner wooden furniture. So now teachers can choose exactly the right classroom storage to suit their needs without having to worry about sharp corners or wasted space.

### Tray Codes:

Flame Red  
Q2R



Royal Blue  
Q2DB



Sunshine Yellow  
Q2Y



Grass Green  
Q2DG



Translucent  
Q2T



### Other products in Range



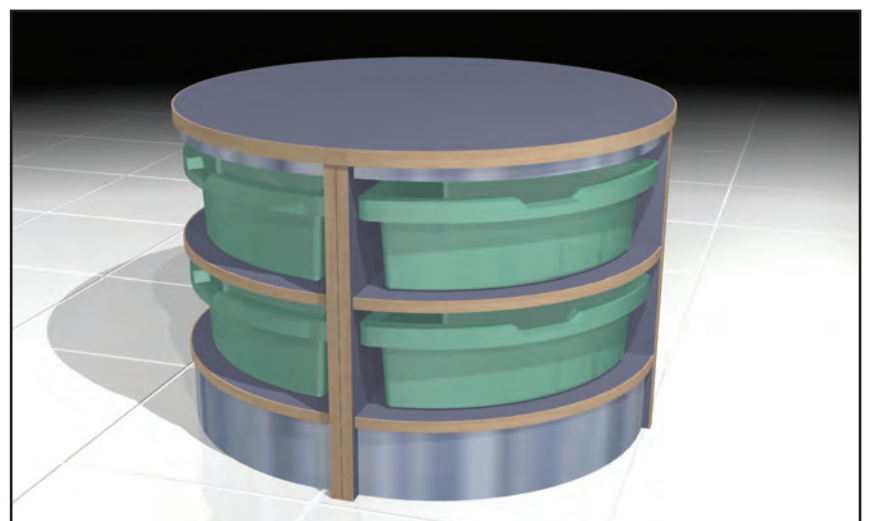
N Tray Range



F Tray Range

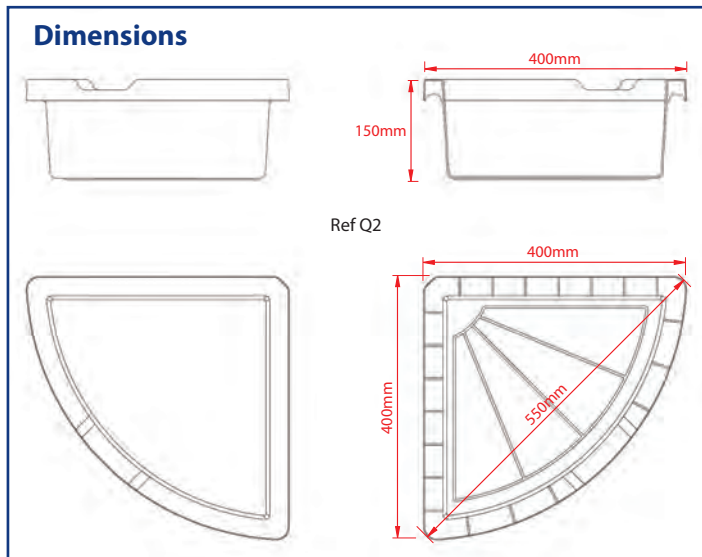
For more go to

[www.gratnells.co.uk](http://www.gratnells.co.uk)

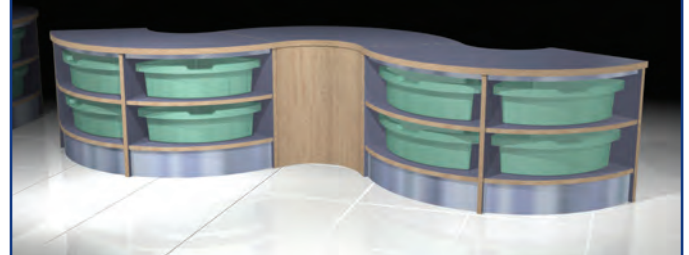


# Quadrant Tray

## Tray to fit corner wooden furniture

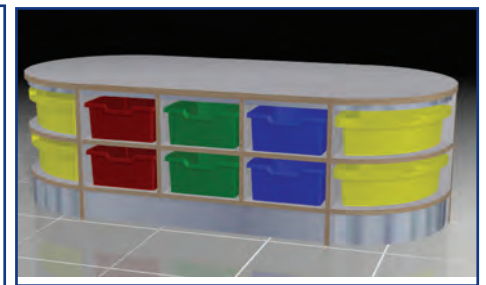


### Suggested Furniture Ideas



### Suggested Marketing Copy

- Specially designed for use in school wooden furniture with rounded corners.
- Compatible with Gratnells award-winning school trays.
- Choose from Flame Red, Royal Blue, Grass Green, Sunshine Yellow or Translucent.
- Five year Guarantee.
- Made from 100% recyclable material.

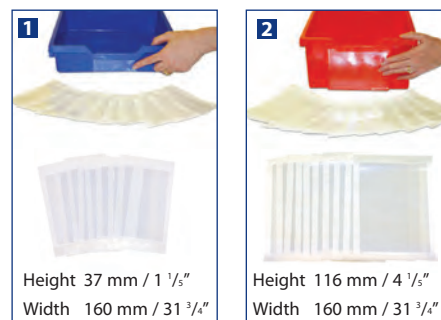


### Bulk Packaging

UK High Pallet	8 columns of 14
No. on Pallet	112
Box Height	1000mm / 40"
Box Width	1200mm / 47"
Box Depth	1000mm / 40"
Weight	22kg / 48.5lb
Available From	Immediately
Supply	Direct to your warehouse

### Accessories

Products that may be used with Quadrant Tray.



Product	Code	Sold in Packs of
1 Small Label Holder	F1LABELHOLDER	10
2 Large Label Holder	F2LABELHOLDER	10

### Product

Height	150mm / 5.9"
Width	400 mm / 15.7"
Length	400 mm / 15.7"
Product Code	<b>Q2</b>
Certificate	Q2 FIRA Certificate

### Tray Colour Codes:

Flame Red	Q2R
Royal Blue	Q2DB
Sunshine Yellow	Q2Y
Grass Green	Q2DG
Translucent	Q2T



Ask for your FREE sample now on **0044 (0)1279 401550**

Download a range of pictures from the *Trade Section* of our website.  
[www.gratnells.co.uk](http://www.gratnells.co.uk)