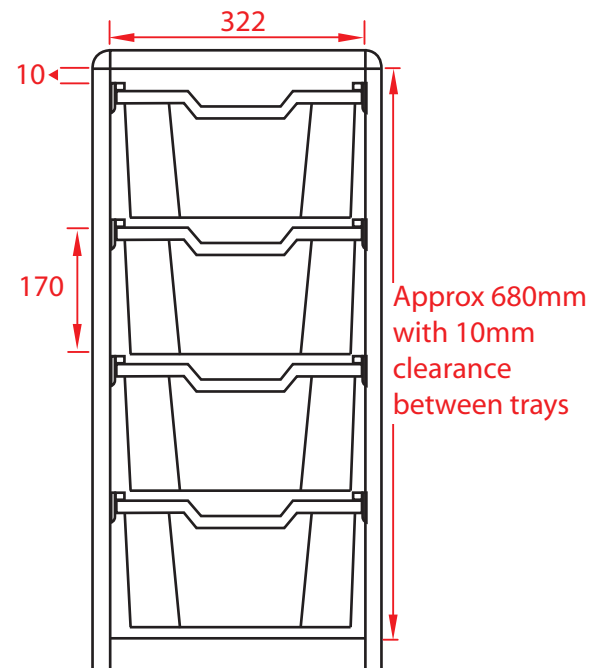
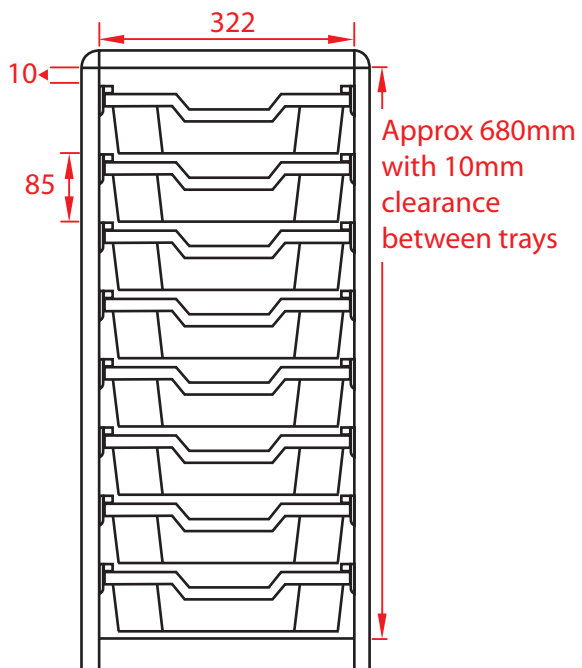


Fitting for Stop 'n' *Tilt* Runner

PLEASE NOTE: 
RUNNER MUST BE SET
AT LEAST 10mm FROM TOP



All measurements in mm.