

ANOTHER FIRST FROM GRATNELLS

# Introducing the new stop'n'tilt<sup>®</sup> tray runner. The perfect partner for your wood furniture.

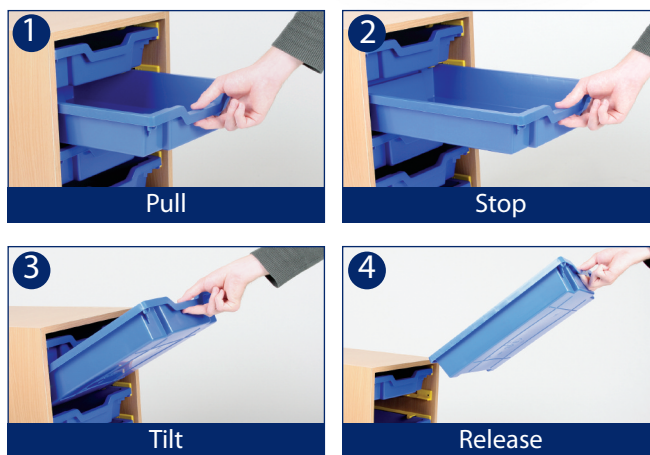


When it comes to keeping the classroom tidy, the new stop'n'tilt<sup>®</sup> tray runner from Gratnells is just what teachers have been waiting for.

Thanks to its clever locking device, the new stop'n'tilt<sup>®</sup> tray runner keeps each Gratnells tray securely in position for easy access. Yet, with a simple upward tilt, trays can be removed quickly and safely. No accidents. No mess.

Available in beige, white or yellow, the stop'n'tilt<sup>®</sup> tray runner can be used for shallow tray units or deep tray units.

That's why it's the perfect partner for all your wooden furniture products. And a great match for any classroom, too.



**STOP'N'  
TILT<sup>®</sup>**

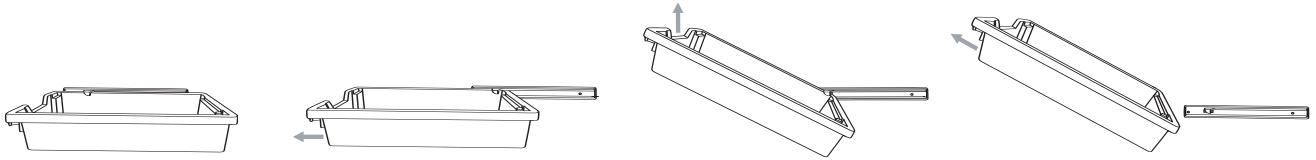
Tray Runner System from Gratnells

**For more information and how to order,  
call our free Gratline 0500 829406.**

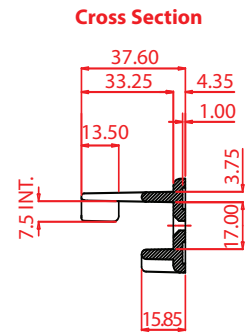
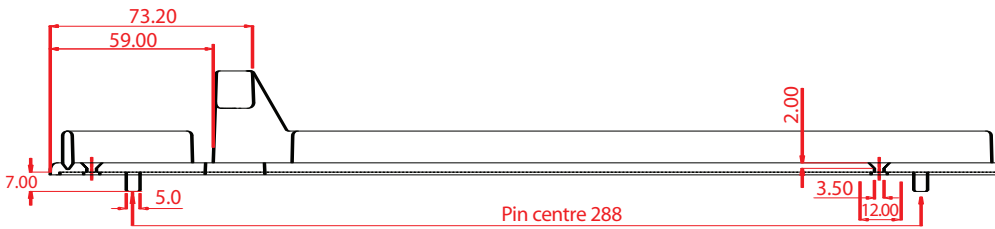
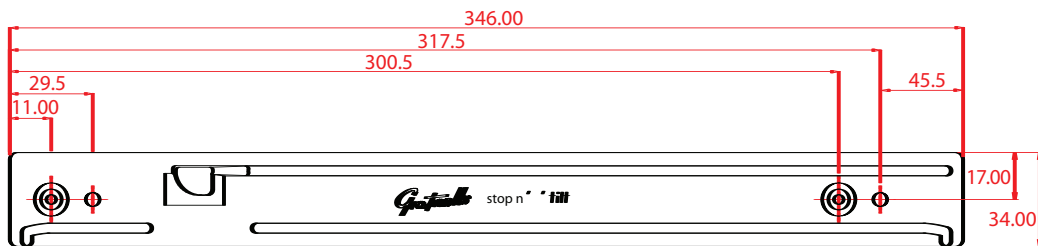
*Gratnells*

Gratnells Ltd • 8 Howard Way • Harlow • Essex CM20 2SU • United Kingdom  
T: 0500 829406 • F: 01279 419127 • E: trays@gratnells.co.uk • W: www.gratnells.co.uk

# Technical Information.



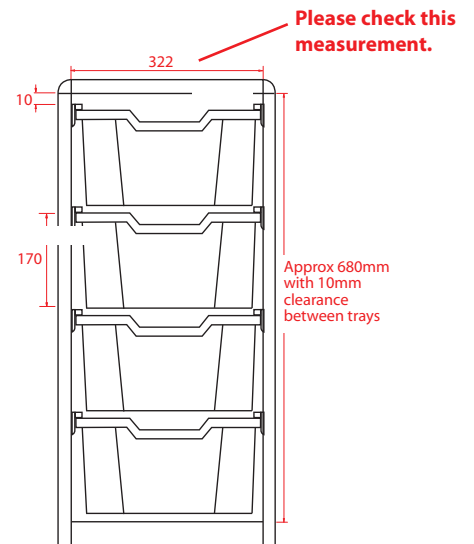
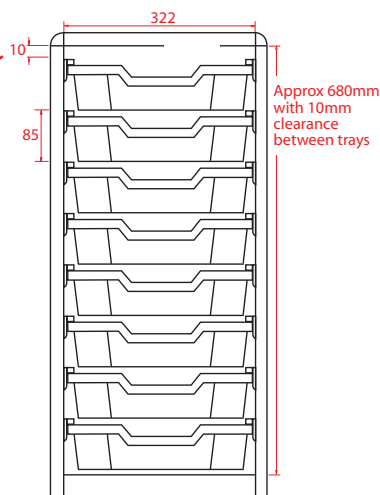
▼ This is the front of the left hand runner.



ref: P5 STOP BEIGE  
P5 STOP WHITE  
P5 STOP YELLOW

**PLEASE NOTE:**  
RUNNER MUST BE SET  
AT LEAST 10mm FROM TOP

Runner has been designed for F1 shallow tray. To use other tray depths, please note that un-used tray runners need to be removed.



Tray Runner System from Gratnells

Please note that all dimensions are for guidance only.  
Please check for your exact circumstances.  
All measurements are in mm.  
Gratnells lids are NOT used with these runners.  
Please note the runners are left and right handed.



Our system, your solution.

Gratnells Ltd • 8 Howard Way • Harlow • Essex CM20 2SU • United Kingdom  
T: 0500 829406 • F: 01279 419127 • E: trays@gratnells.co.uk • W: www.gratnells.co.uk