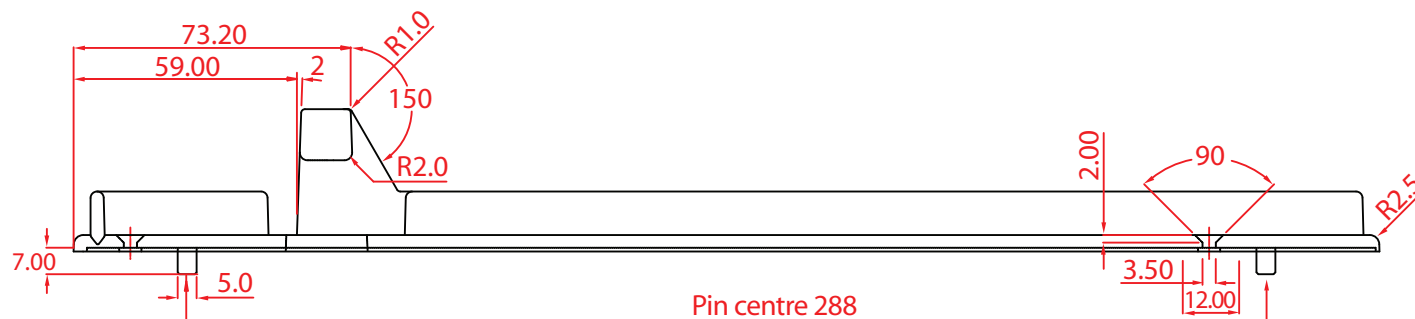
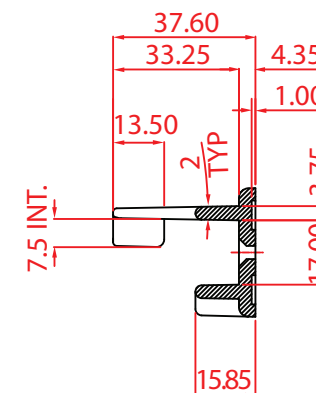
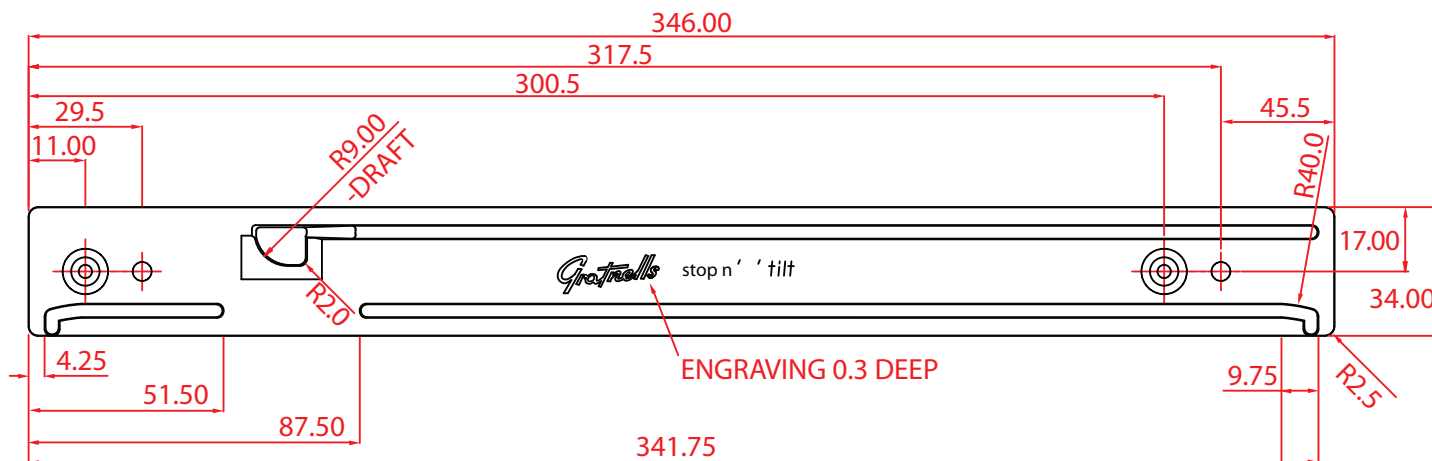


Stop 'n' Tilt Runner

Ref: P5 STOP BEIGE
 P5 STOP WHITE
 P5 STOP YELLOW



Please note:

- Runner has been designed for F1 shallow tray. To use other tray depths, please note that un-used tray runners need to be removed.
- Runner must be set at least 10mm from top.
- All dimensions are for guidance only.
- Check for your exact circumstances.
- Gratnells lids are NOT used with these runners.
- Please note the runners are left and right handed.

All measurements in mm.

