

Gratnells

Our system, your solution.

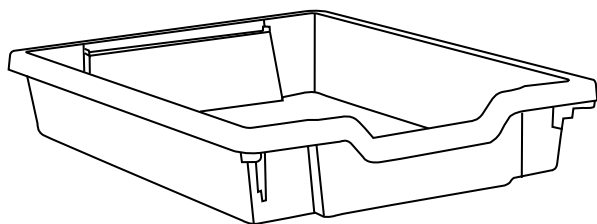
The education tray storage system that is right for your furniture.



*The top selling standard range
and the latest models explained.*

The worldwide leader in the manufacture of educational trays

Gratnells is a specialist manufacturer of educational trays and an adjustable tray storage system. Established in 1940 the company produced furniture until 1972. Gratnells then designed and patented the slotting of square steel tube to take adjustable runners for trays and shelves. This was developed for the education and hospital market for the storage of small equipment.



Award-winning trays

The Gratnells tray was designed in 1991 as the latest development of the existing standard UK school tray. With a large number of design and material improvements to the existing trays the new Gratnells tray quickly became the market leader. In 1992 the designs of the shallow and deep tray were recognised as the best in the marketplace by ten judges at Worlddidac, the international education trade association. Three decades later Gratnells school trays are now sold to furniture manufacturers in 60 countries and are loved by users across the world for their quality, strength and durability.

Our production

Gratnells moved in 2003 to a totally refurbished factory in Harlow, Essex covering 10,000 sq metres (108,000 sq ft.) It has 24-hour production of trays with robot-controlled injection moulding machines. The warehouse with room for 1600 pallets ensures Gratnells has the equipment, space and experience to serve customers around the world.

Trade Associations

Gratnells is a member and supports the work of BESA the British Educational Suppliers Association, NSSEA the National School Supply & Equipment Association in the USA and Worlddidac, the international education trade association in Switzerland.



Factory in Harlow, Essex. UK



Robot-controlled production



Twin impression tools



Palletised warehouse

TRAYS AND THEIR USES



Nursery and daycare



Early learning classroom



Science laboratory

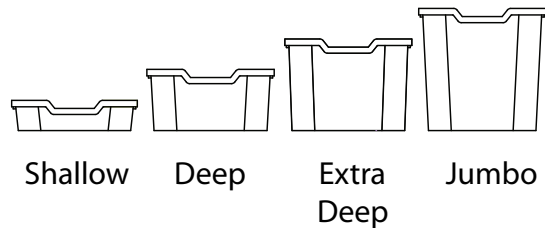


Gratnells frames and trolleys



The versatile tray for every environment

Gratnells trays are used in furniture in all areas of life from schools and offices to home storage. Either in fixed or mobile furniture the trays are perfect to help make the best use of space and keep an area tidy. There are four heights of tray with a standard width and front-to-back measurements, the F1 shallow, F2 deep, F25 extra deep and F3 jumbo.



To make sure Gratnells trays are strong enough to survive the rough and tumble of school life they have passed strict British Standards. All of our trays are BS 5873-1998 (part 4) accredited to heavy educational use.

We also have a European trademark which describes the familiar handle cut-out shape you see at the front of our standard trays. If the handle cut-out is not there it's not Gratnells.

Tray Trade Mark Number: 000278432



THE TRAY SYSTEM EXPLAINED

Standard trays

The system is simple. Four trays with differing heights but with a common width that create the perfect school furniture. They come in an exciting range of over 30 colours, meaning you can choose exactly the storage that suits your needs. We even have trays to match the national curriculum colours. And all of our trays fit standard school furniture so you can mix and match a whole range of different colours, lids and tray heights knowing they will fit with the rest of your classroom storage. And even though they are built to last they are all fully recyclable too.

The safest material



The material used to make the trays has been chosen for quality and safety. For quality the trays are made with talc filled polypropylene giving strength and rigidity. For safety polypropylene is chemically resistant to the majority of chemicals used in schools and semi-fire retardant at 0.22mm per min. There is also an anti-static additive in the polypropylene to reduce the attraction of dust.

Standard Tray colours

1 Tropical Orange	12 Dark Brown	22 Pale Blue	
2 Sunshine Yellow	14 Magnolia	23 Pale Green	
4 Olive Green	16 Maroon	24 Pale Red	
5 Plum Purple	17 Midnight Blue	25 Pale Yellow	
6 Royal Blue	18 Forest Green	Translucent Tints	
7 Fuchsia Pink	19 Light Grey	28 Blueberry	
8 Steel Blue	20 Translucent	29 Kiwi	
9 Flame Red	21 Jet Black	30 Strawberry	
10 Grass Green	26 Cyan Blue	31 Lemon	
		32 Grape	

OTHER COLOURS AVAILABLE ON REQUEST



Shallow tray (F1)

75H x 312W x 427L mm
3H x 12 1/4W x 16 3/4L"

Deep tray (F2)

150H x 312W x 427L mm
6H x 12 1/4W x 16 3/4L"

Extra Deep tray (F25)

225H x 312W x 430L mm
9H x 12 1/4W x 16 3/4L"

Jumbo tray (F3)

300H x 312W x 430L mm
12H x 12 1/4W x 16 3/4L"

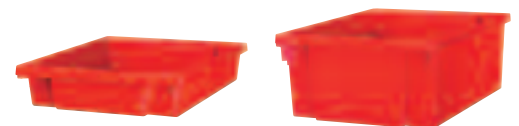
SPECIAL DESIGN

Tray Trade Mark Number:
000278432



Alternative trays

These trays are available in shallow or deep and have a plain front instead of a handle cut out. They can be fitted into furniture either from the front facing or sideways. Specify model code FP1 or FP2.



Shallow tray (FP1)

75H x 312W x 427L mm
3H x 12 1/4W x 16 3/4L"

Deep tray (FP2)

150H x 312W x 427L mm
6H x 12 1/4W x 16 3/4L"

TRAY FITTING

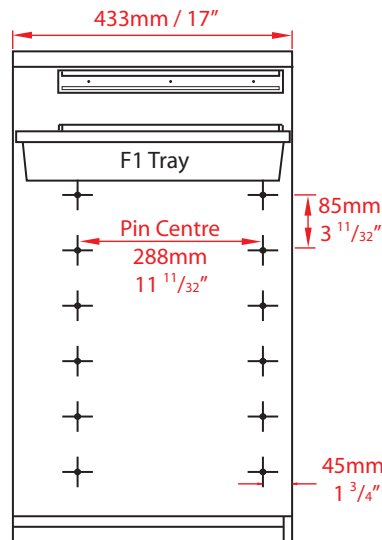
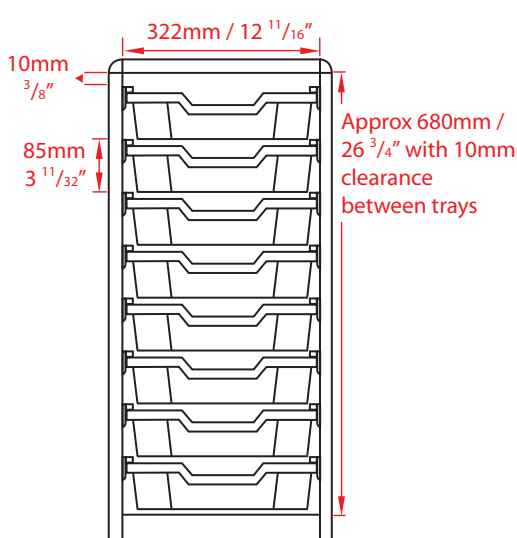
Fitting trays into furniture could not be easier using Gratnells runners

Standard runner

To help furniture manufacturers fit trays into a unit Gratnells designed a special plastic runner. The runner supports the tray along the full length to prevent the tray tipping when being removed. The runner has two pegs which can be simply pushed into the furniture unit. Alternatively there are two screw holes for extra security. The runners (Ref P5) are available in beige and white.



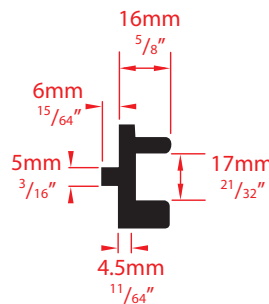
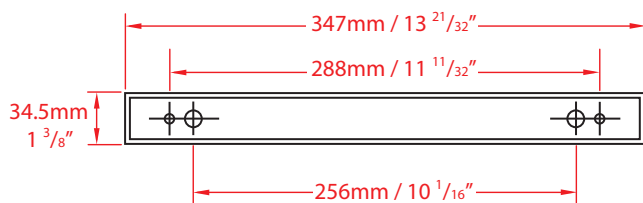
Empty furniture unit with fitted runners



Standard runner (P5)



Both shelves and trays can be placed in the runners



Stop'n'Tilt runner

As an alternative to our standard runner the Stop'n'Tilt runner prevents a tray being easily removed from furniture. Each runner has a small brake which stops the tray before it is fully removed. Tilt the tray upwards and it's released. The process is simple for an adult but difficult for a child. There are special fitting instructions available on our website.



Stop'n'Tilt runner (P5 stop)



Pull



Stop



Tilt



Release

TRAY ACCESSORIES

Making the most of Grasnells trays

Grasnells manufactures a range of accessories to complement the trays. A translucent clip-on lid is common to all four heights of tray and can be screen printed with company logos or contents. For additional branding self adhesive labels can also be printed with logos upon request. Visit the YourBrand® section of our trade website for more information and to order printed items.

There is also a wide range of inserts available to help teachers organise tray contents.

Made from both foam and polystyrene the inserts keep a wide range of contents safe. Bespoke inserts can be made on request.

The jumbo tray can be provided with a seat or castors.



Printed lids



Clip-on lids



Self adhesive labels



A few examples of polystyrene inserts for shallow trays.



Foam insert.



Seat for jumbo tray

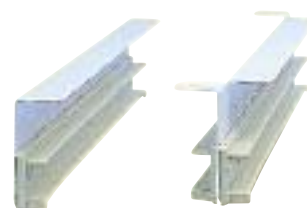


Bear castors for jumbo tray

Table fixing brackets

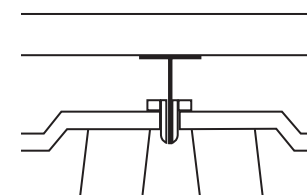
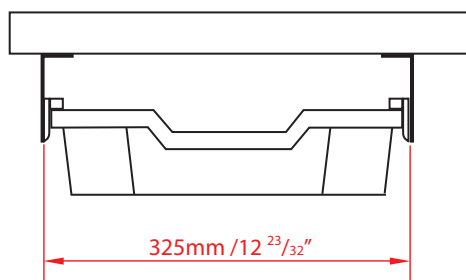
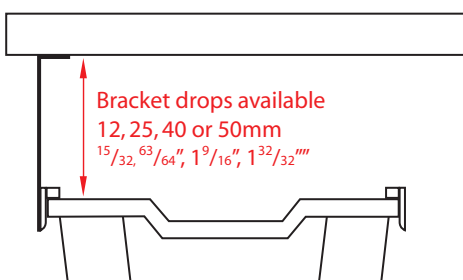
To fit a tray under a table Grasnells manufactures a bracket incorporating the plastic runners. The tray can be held beneath the surface at depths of 12/25/40 or 50mm. One centred double bracket can fix two trays closely together. Bracket comes in white only.

(ref: Single bracket - TFP5 and Double bracket - TFP2)



Single and Double brackets using Grasnells P5 runners

Unit or work top



Double bracket to take 2 trays

BEST - SELLING TRAY COMBINATIONS

Furniture designs

Here are a small number of popular tray combinations using both runners and shelves. All that remains is your imagination. For more examples and technical information visit the trade section of our website.



18 shallow tray unit - **Best seller**



9 deep trays



9 deep trays on shelves



12 shallow trays



3 deep and 3 jumbo trays



6 jumbo trays on shelves



Mid-height unit



Tall unit, shelves and trays



Tall cupboard, shelves and trays

Gratnells does not make wood furniture. All the units in this catalogue were kindly supplied by Crossbrook Ltd, Conen GmbH, G M F L & Papworth Furniture Ltd.

COMPLEMENTARY TRAYS

Additional tray range

To complement the standard tray range Gratnells also provides additional trays. The first is for art, craft and jigsaw storage and the second is designed to store A3 paper. They use the standard runners. Visit our trade section of the website for more information and fitting guides.



Standard runner (P5)



Art tray (A1)

43H x 525W x 450L mm
1 11/16H x 20 11/16W x 17 23/32L"

A3 paper tray (D3)

82H x 455W x 479L mm
3 7/32H x 17 29/32W x 18 7/8L"



Double column art tray unit



Single column art tray unit



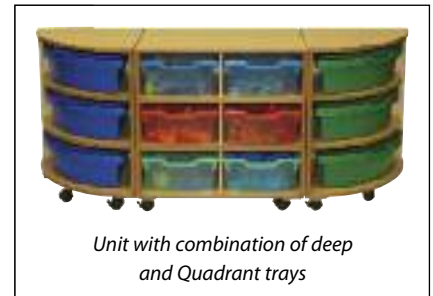
Double column A3 paper tray unit

Quadrant Tray

The Quadrant tray provides Gratnells answer to corner storage, rounded bench runs and round island units. Visit our website for a product sheet with more information.



Circular wooden furniture

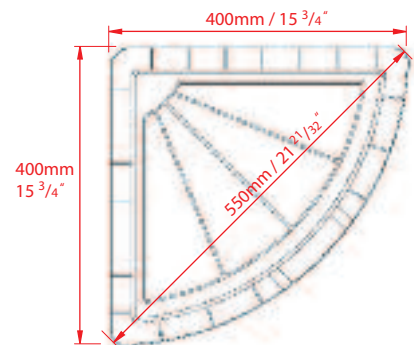
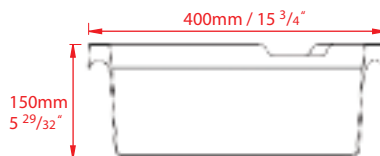


Unit with combination of deep and Quadrant trays



Quadrant tray (Q2)

150H x 400W x 400L mm
5 29/32H x 15 3/4W x 15 3/4L"



Our system, your solution.

Gratnells Ltd
8 Howard Way
Harlow
Essex
CM20 2SU
United Kingdom

Freephone (UK only)
0500 829406

Email: trays@gratnells.co.uk
Tel: +44 (0) 1279 401 550
Fax: +44 (0) 1279 419 127
www.gratnells.com