



Gratnells LLC
4500 140th Avenue North
Suite 101
Clearwater
FL 33762
USA
1-727 325 2904
mail@learning-rooms.com
www.gratnells.com

Gratnells Ltd
8 Howard Way
Harlow
Essex
CM20 2SU
UK
+44 1279 401 550
customerservice@gratnells.co.uk
www.gratnells.com



Double Column Unit Instruction Manual

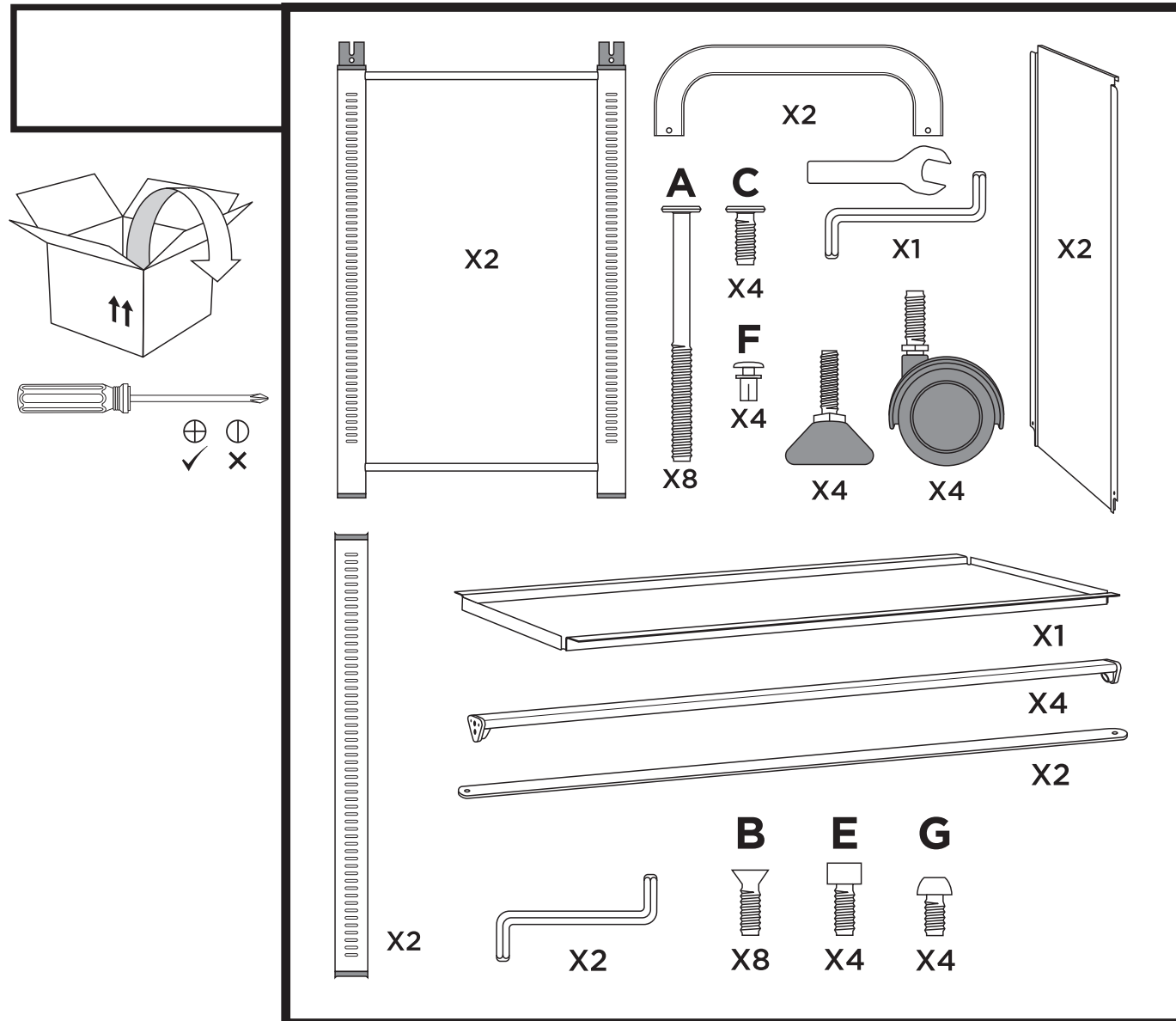
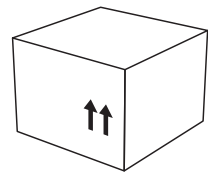


callero

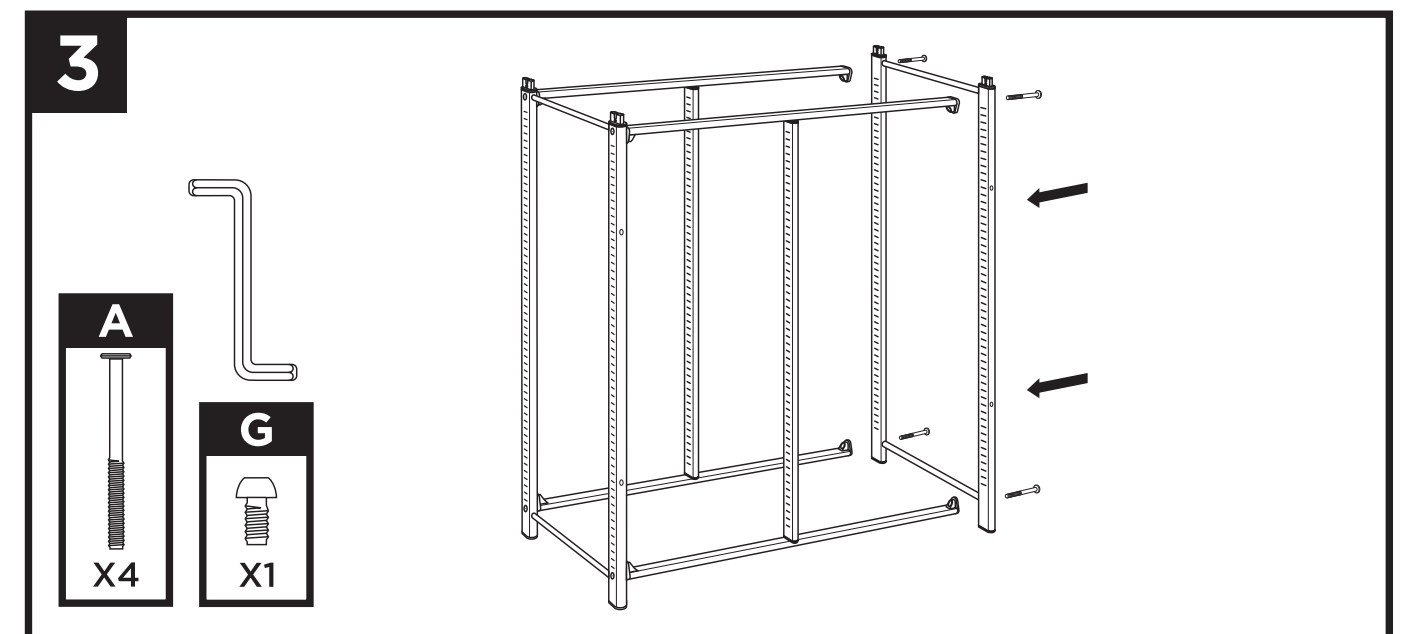
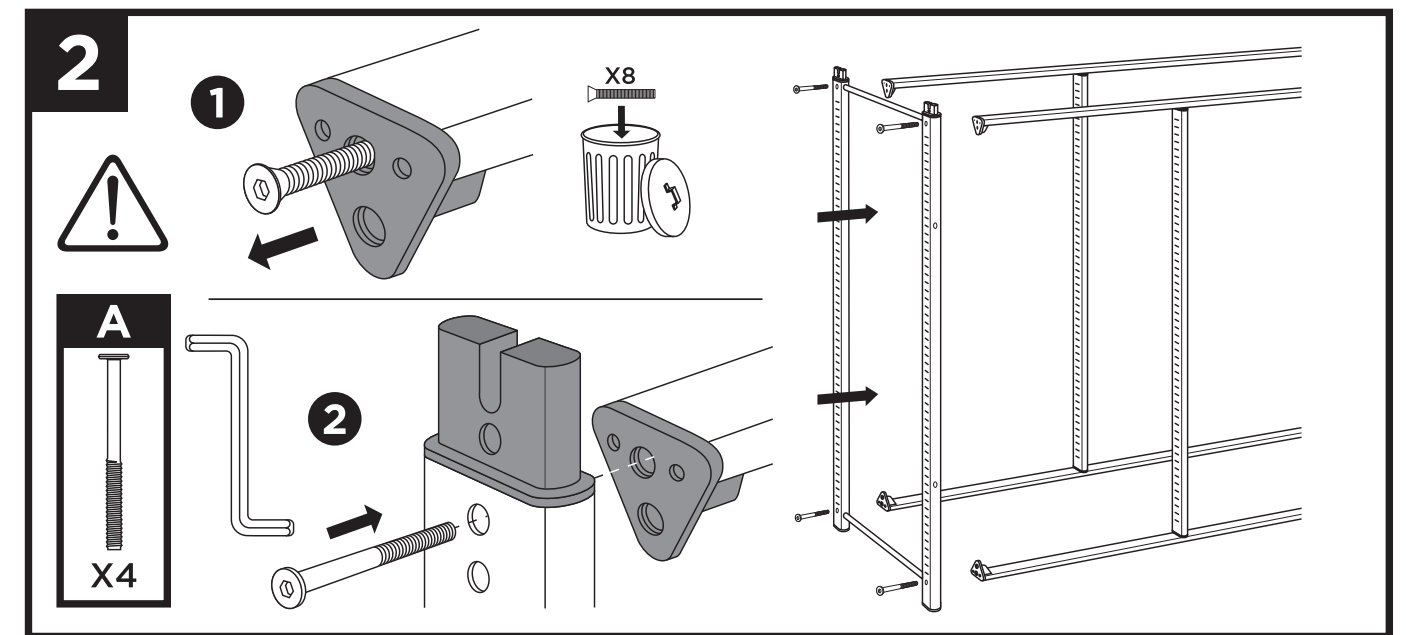
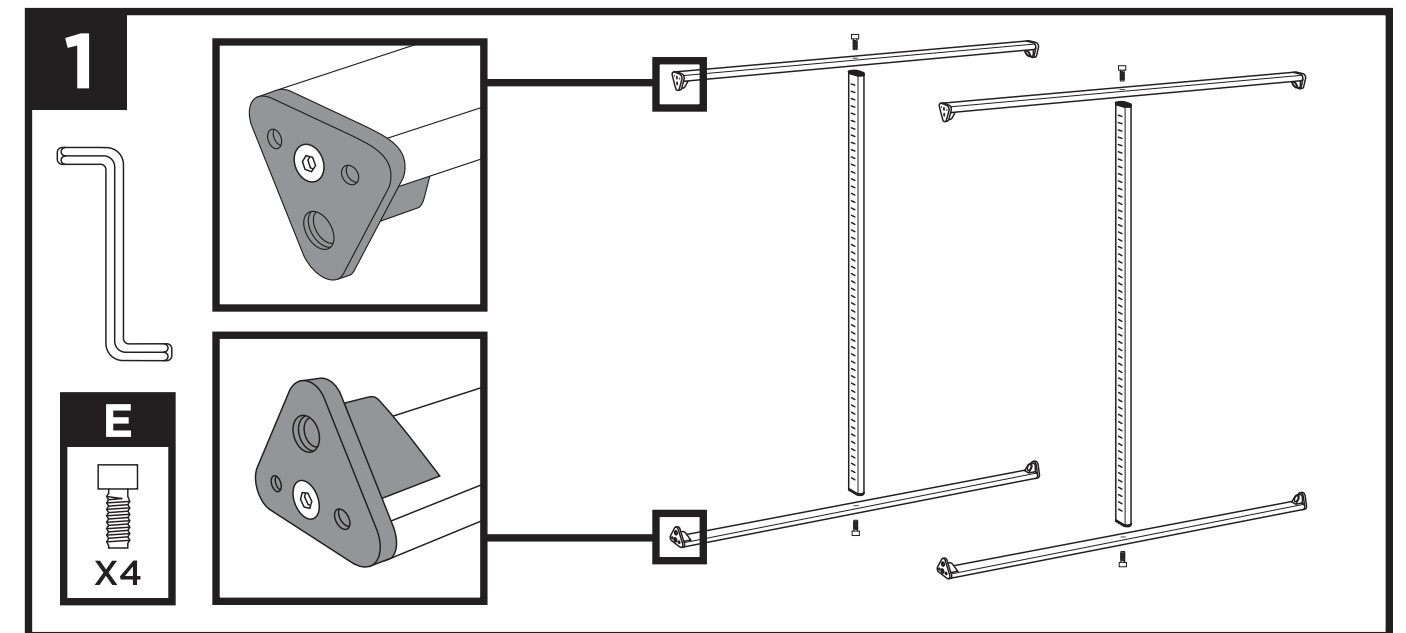
Storage with style.

Double Column Unit

Dimensions: 1030(H) x 690(W) x 435mm(D).



2



3

