

callero
Storage with style.

www.gratnells.com

Gratnells

callero
Storage with style.

Instruction Manual



Gratnells

Contents

**Treble
Column Unit**

Page 4



**Double
Column Unit**

Page 8



**Tilted
Tray Unit**

Page 12



**Tilted
Shelf Unit**

Page 17



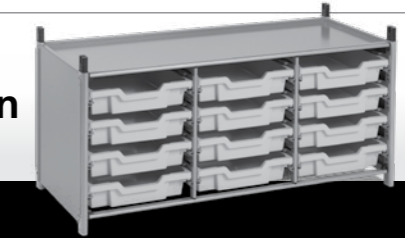
**Flat
Shelf Unit**

Page 23



**12 Tray
Extension
Unit**

Page 29



**Expanding
the System**

Page 34



Art Trolley

Page 44



**A3 Paper
Trolley**

Page 46



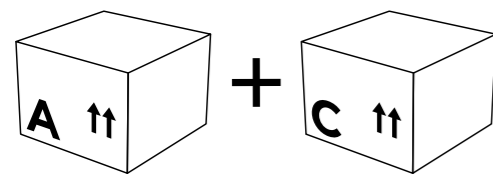
**Runners & Tray
spacing guide**

Page 48



Treble Column Unit

Dimensions: 1030(H) x 1025(W) x 430mm(D).



BOX A

X2
 X2
 X2
 X2
 X2
 X8
 X4
 X4
 X4
 X4
 X4
 X1
 X4
 X4

BOX C

X1
 X4
 X2
 X4
 X2
 X4
 X2
 X8
 X8
 X4

1

E
X8

2

1

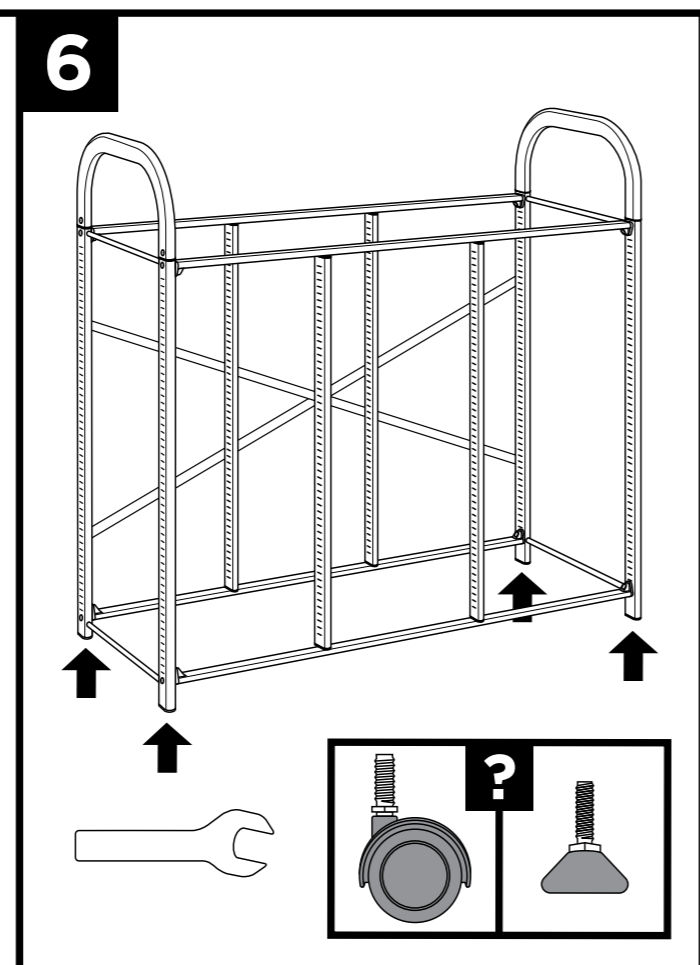
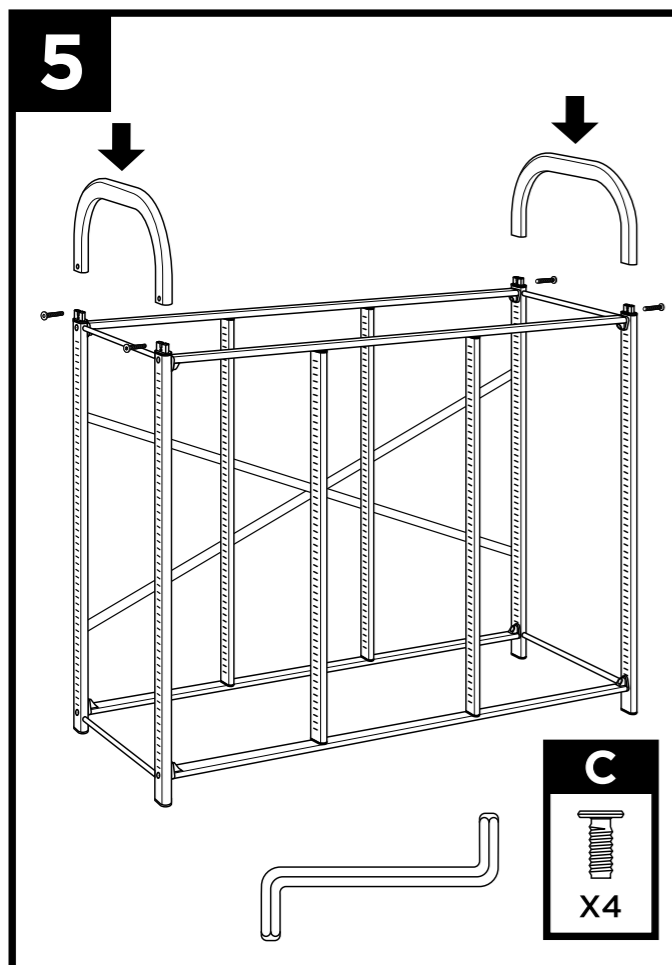
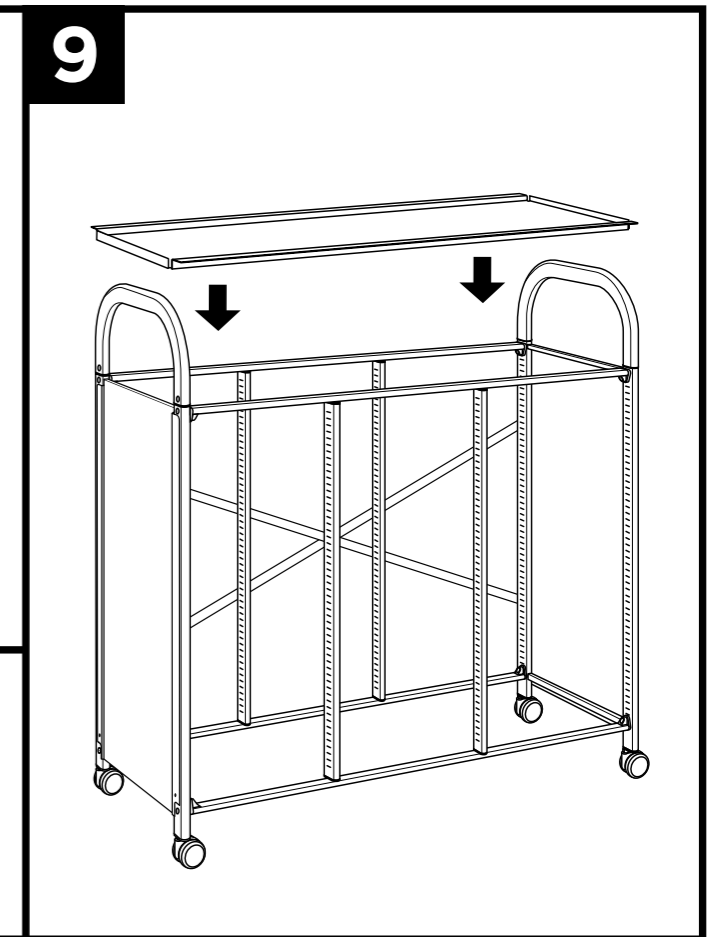
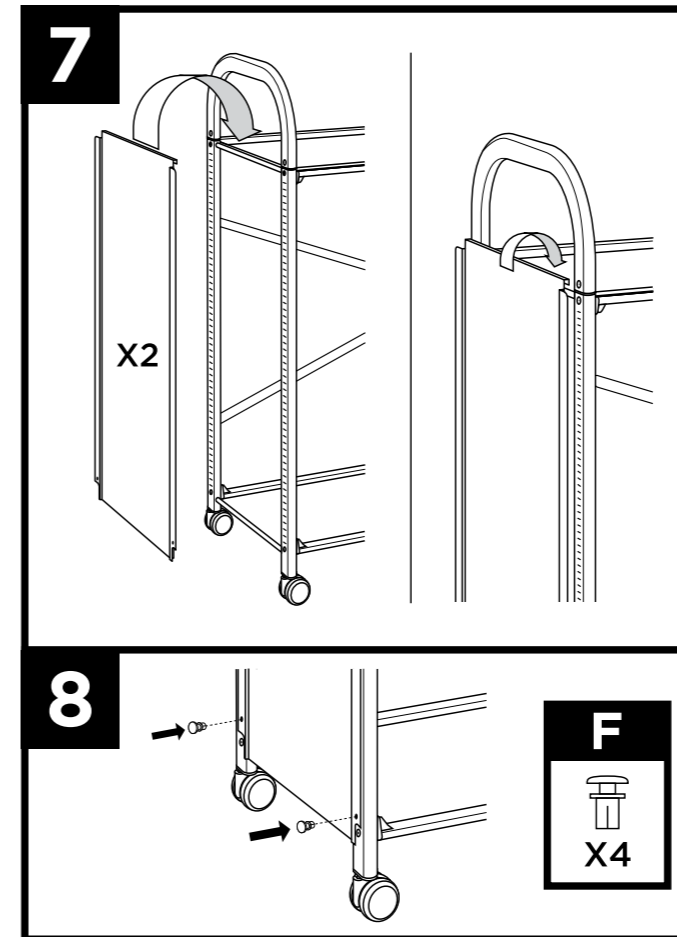
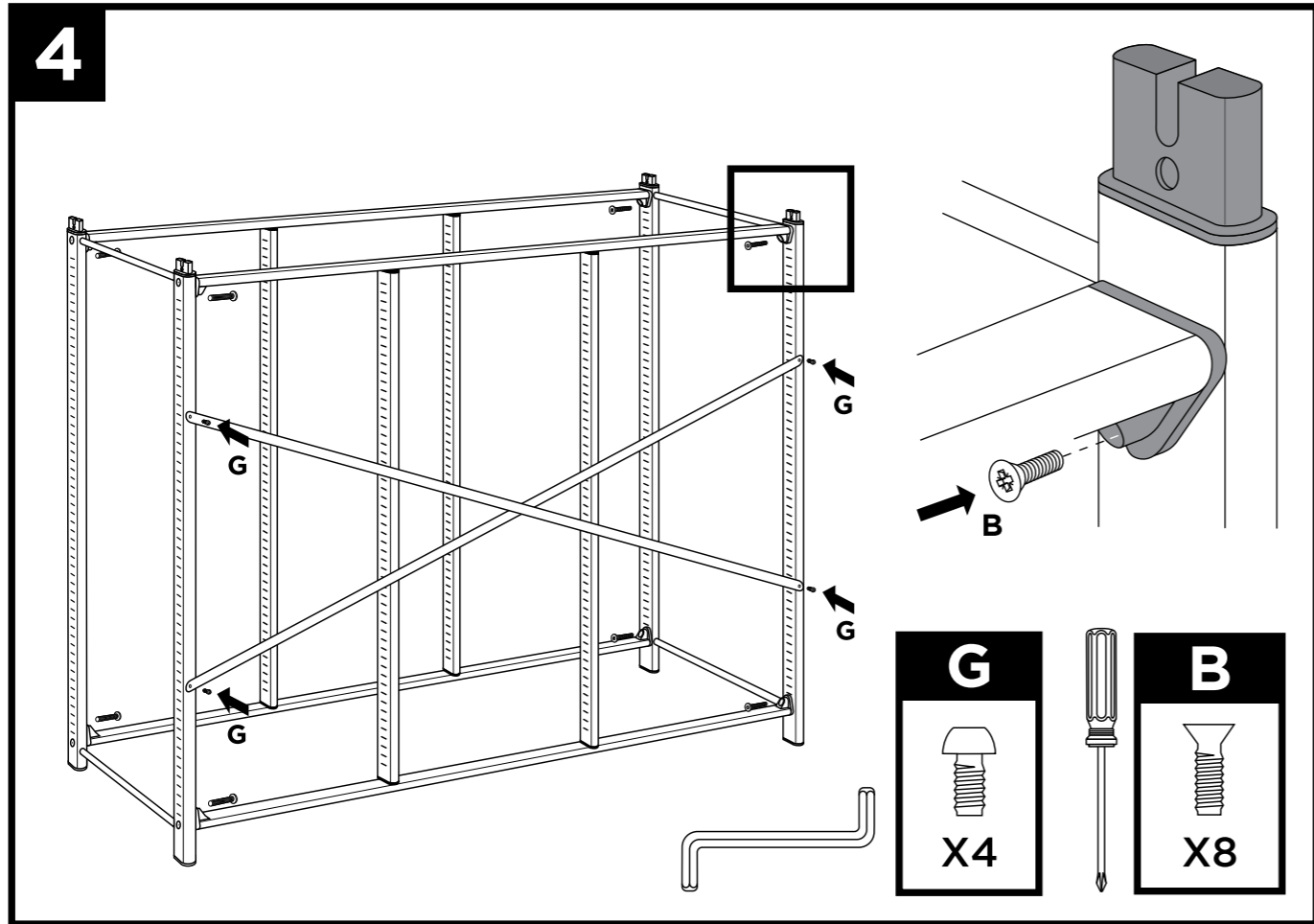
X8

A
X4

2

3

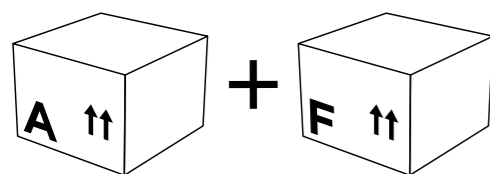
A
X4





Double Column Unit

Dimensions: 1030(H) x 695(W) x 430mm(D).



BOX A

X2 (Vertical Posts)
 X2 (Side Panels)
 X2 (Handles)
 X1 (Bracket)
 X8 (Screws A)
 X4 (Screws C)
 X4 (Screws F)
 X4 (Wheels)
 X4 (Nuts)

BOX F

X2 (Vertical Posts)
 X1 (Shelf)
 X4 (Horizontal Bars)
 X2 (Long Bars)
 X2 (L-shaped Brackets)
 X8 (Screws B)
 X4 (Screws E)
 X4 (Screws G)

1

E
X4

2

1

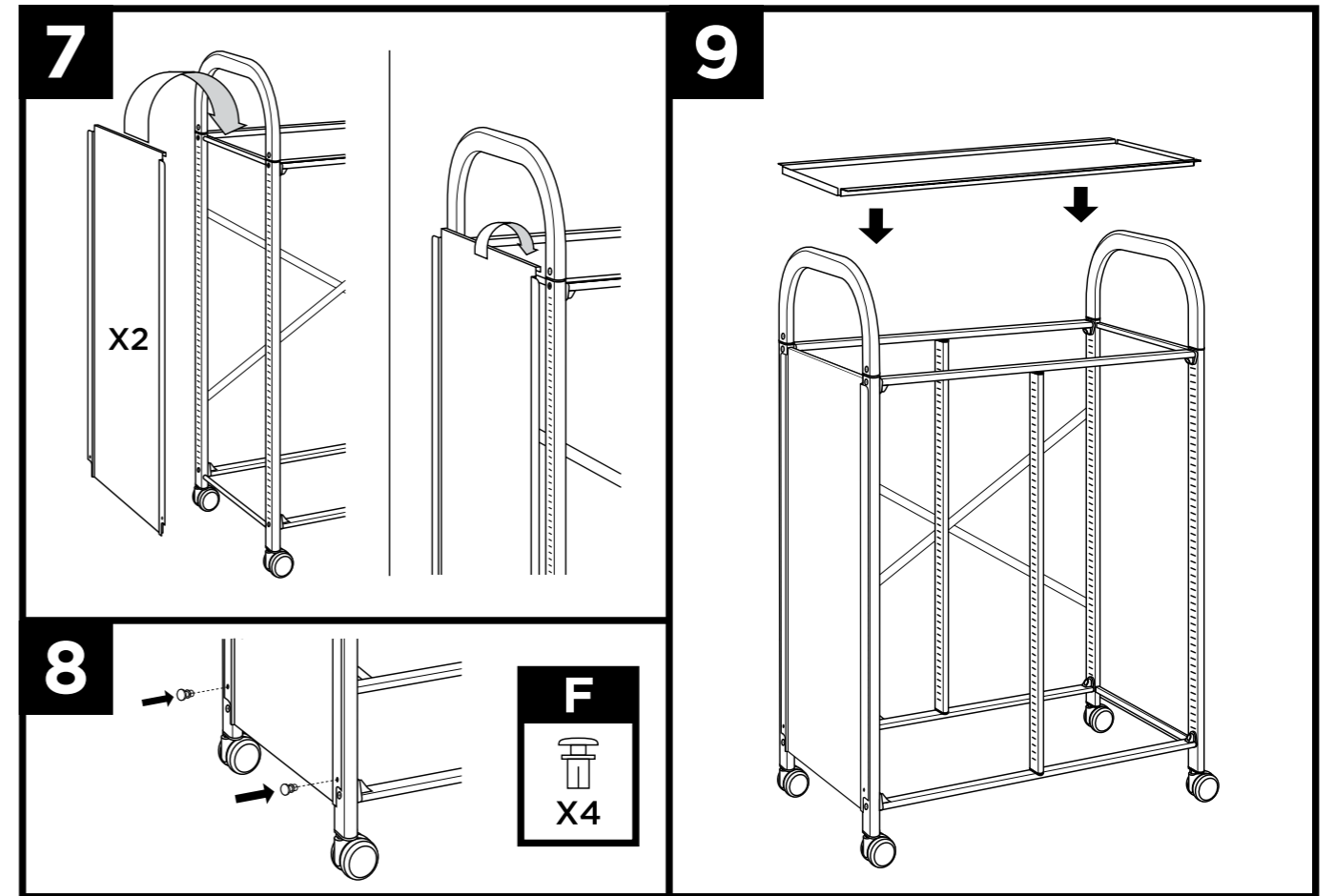
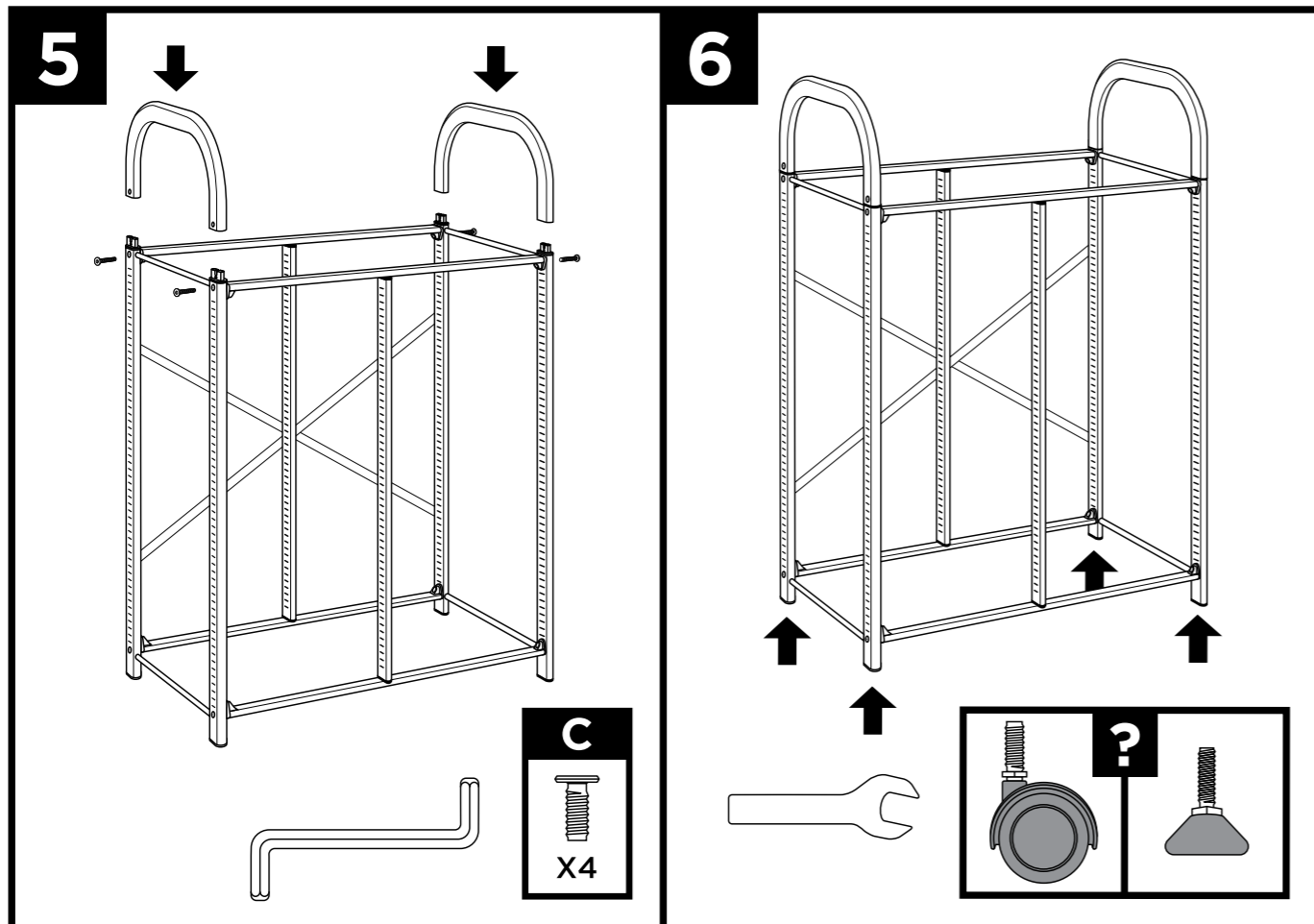
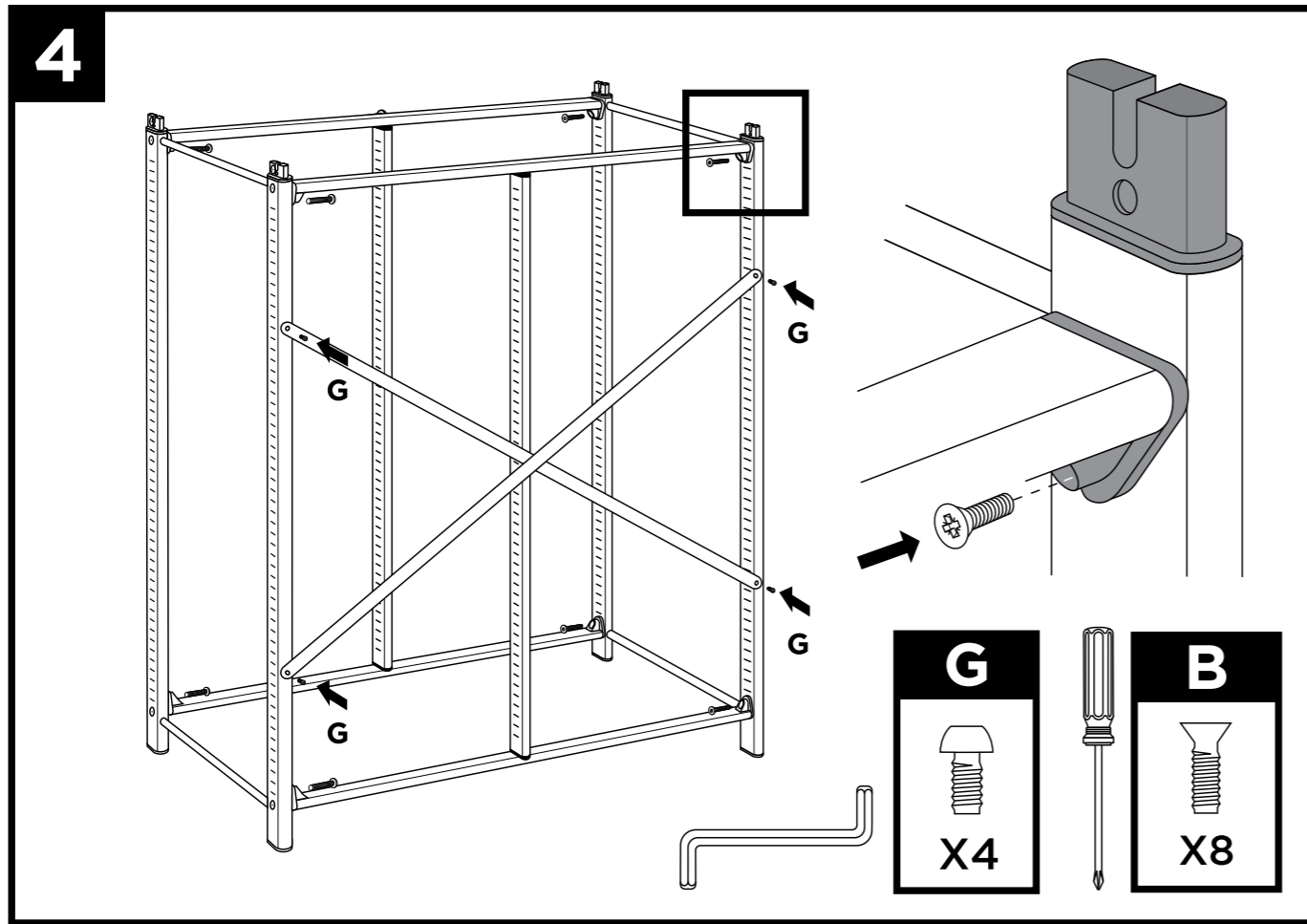
X8

A
X4

2

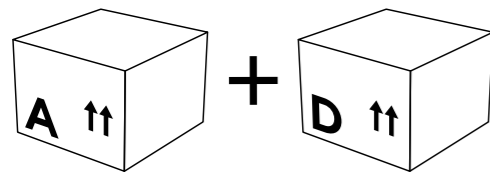
3

A
X4



Tilted Tray Unit

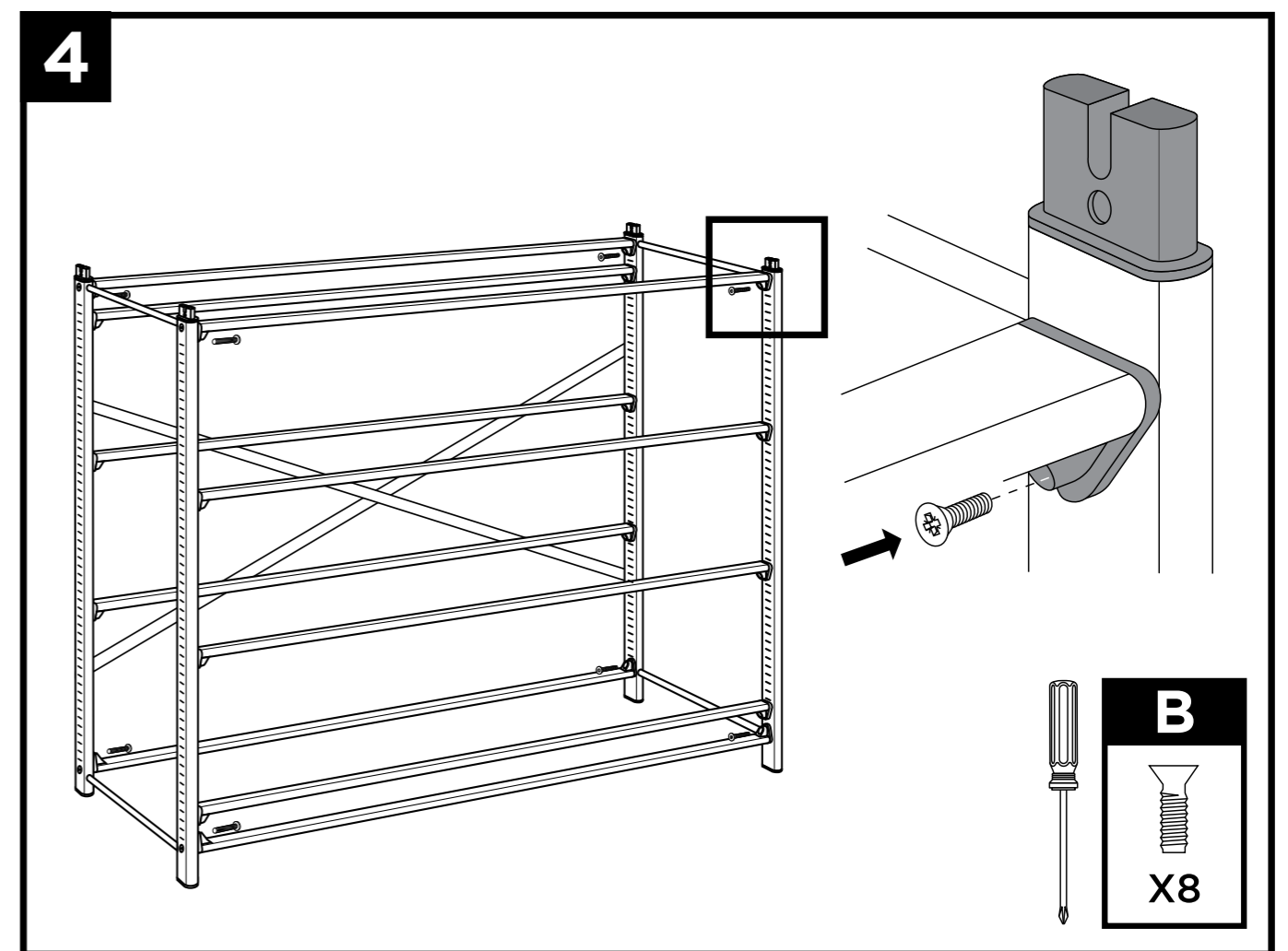
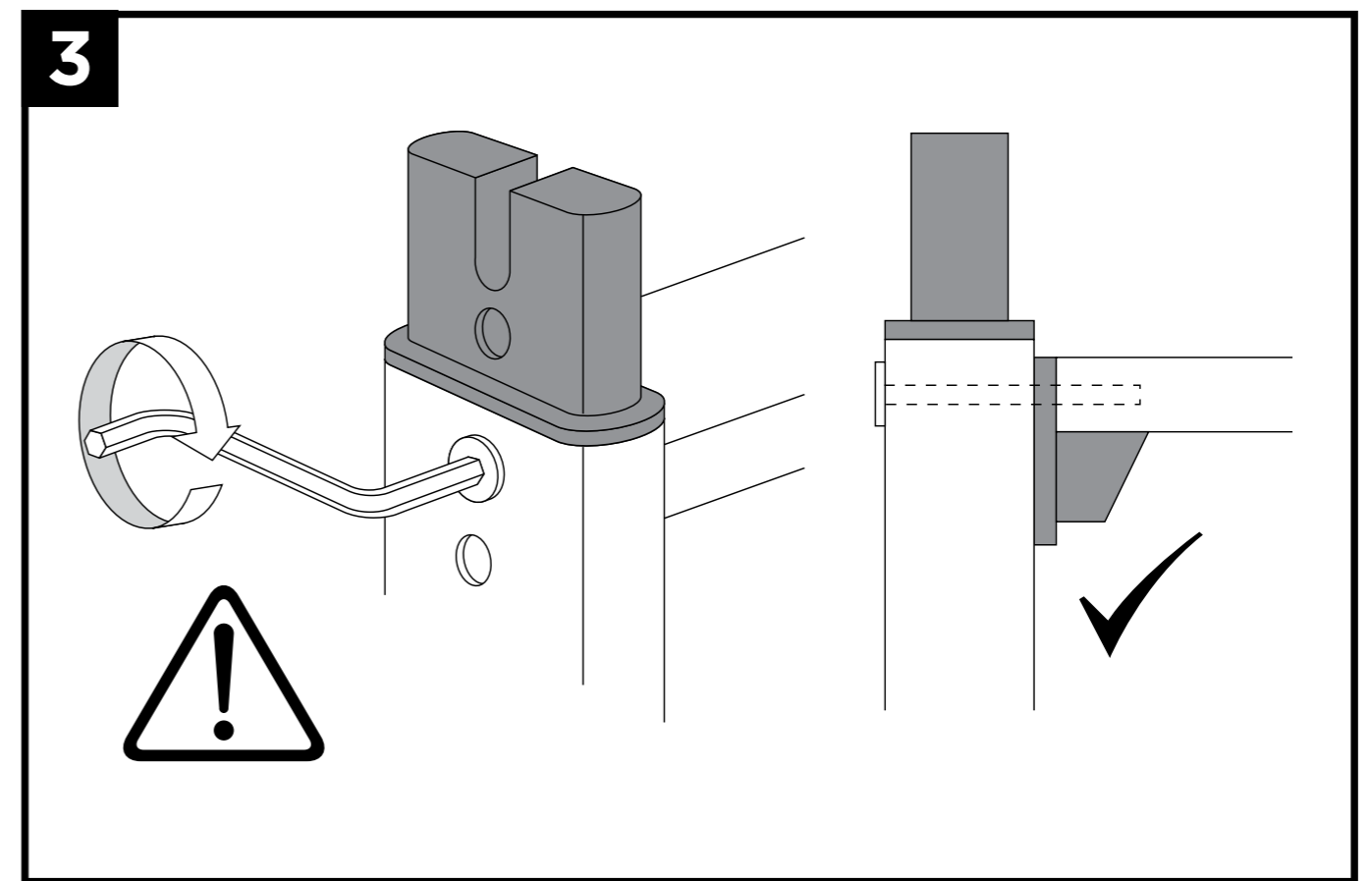
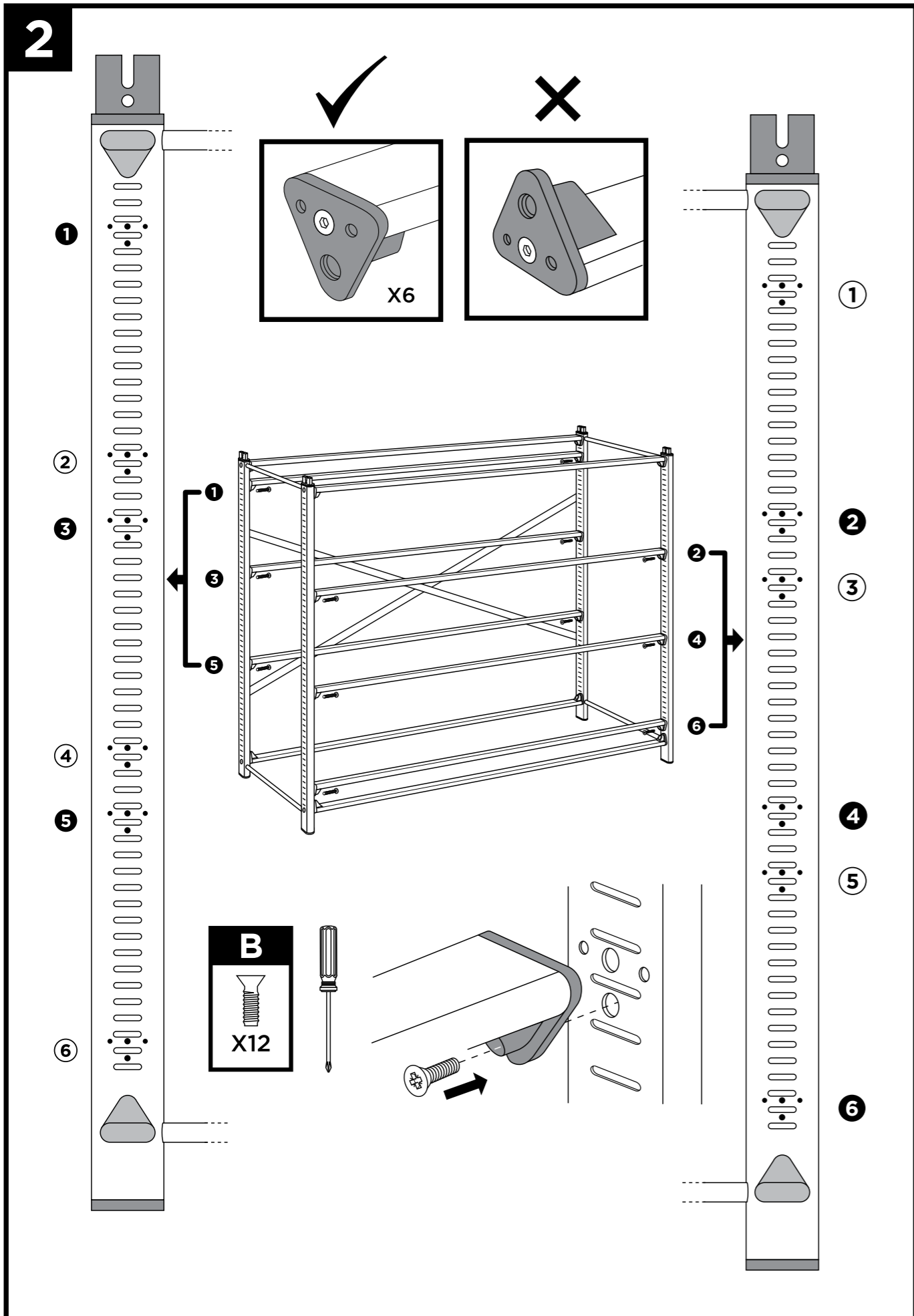
Dimensions: 1030(H) x 1025(W) x 430mm(D).

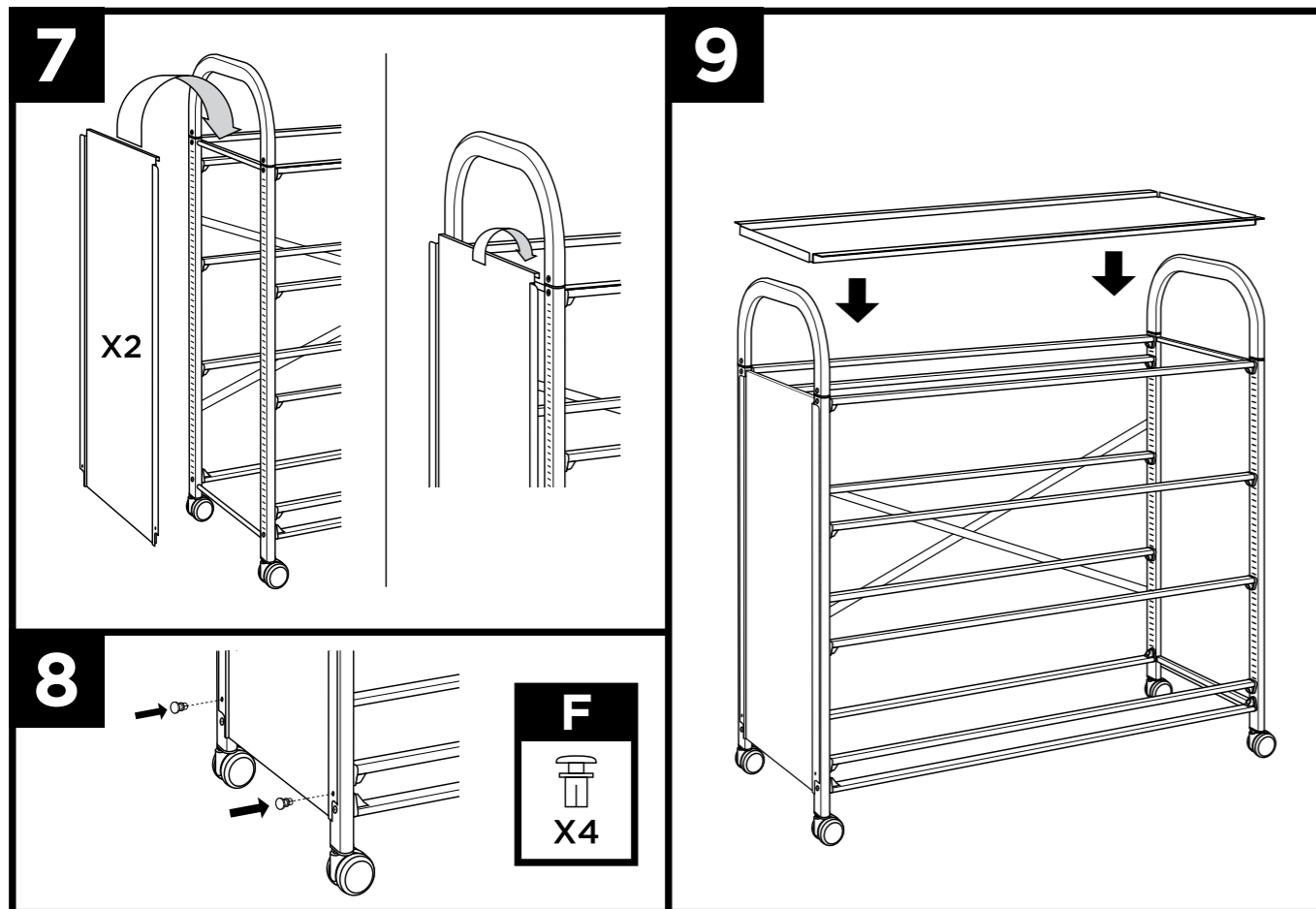
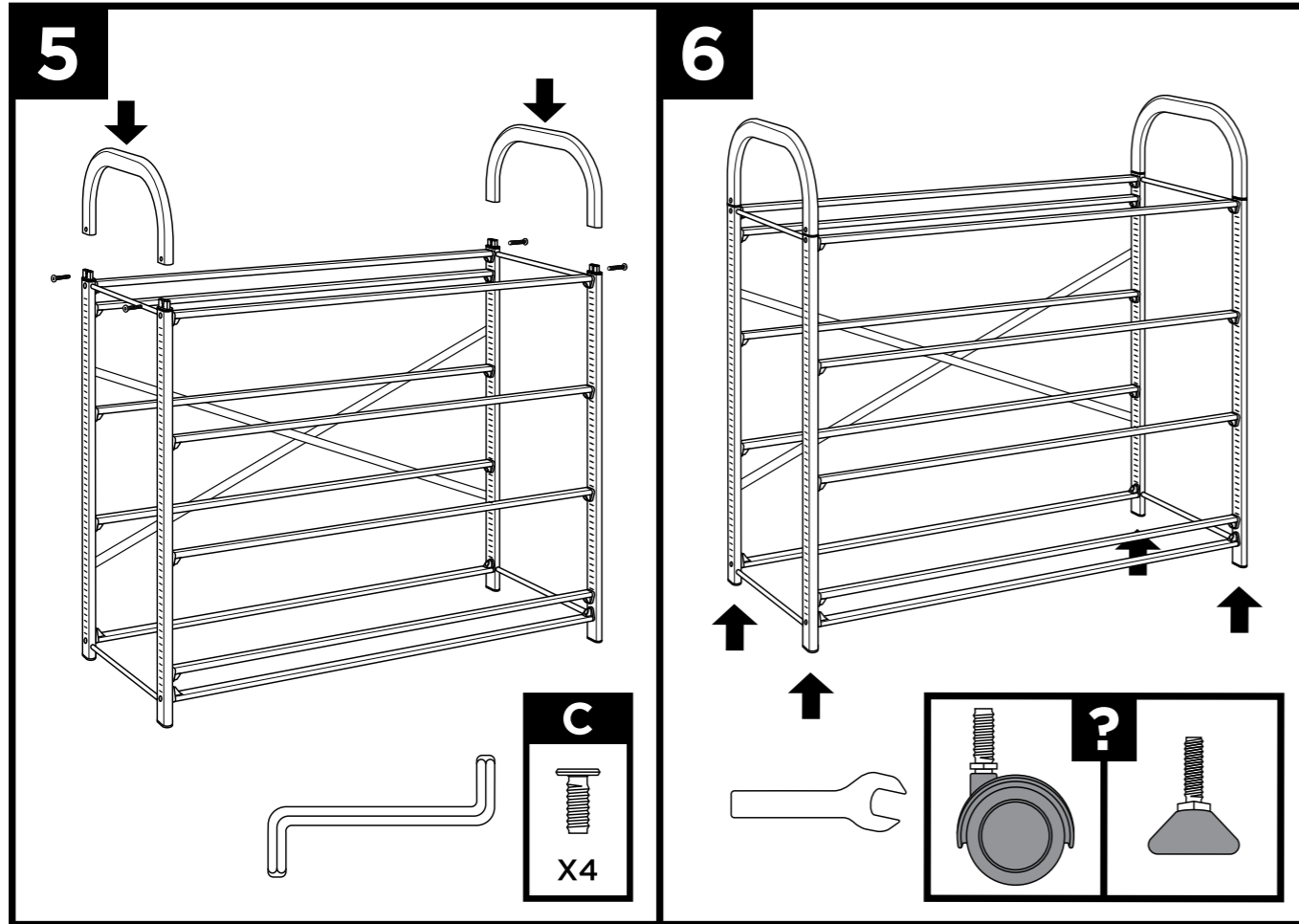


BOX A

BOX D

1

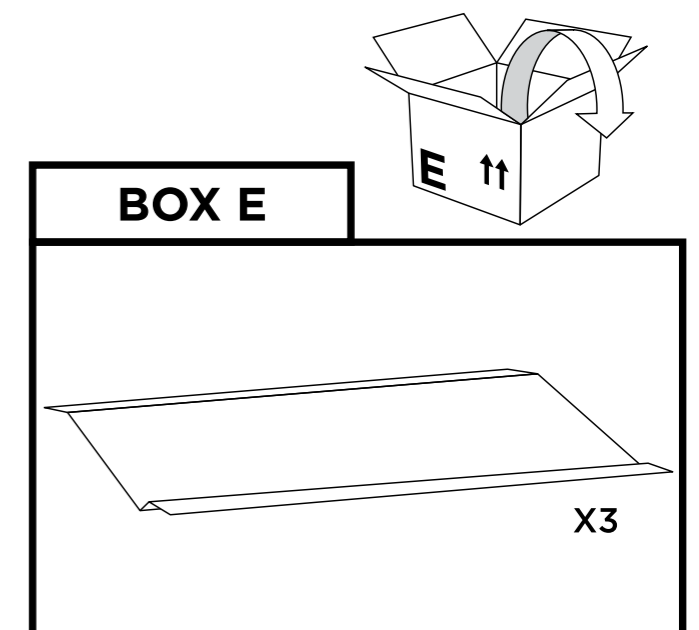
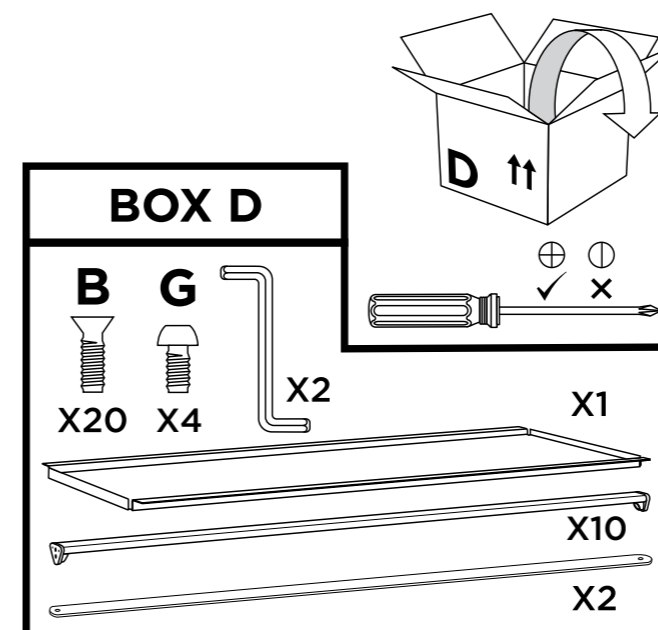
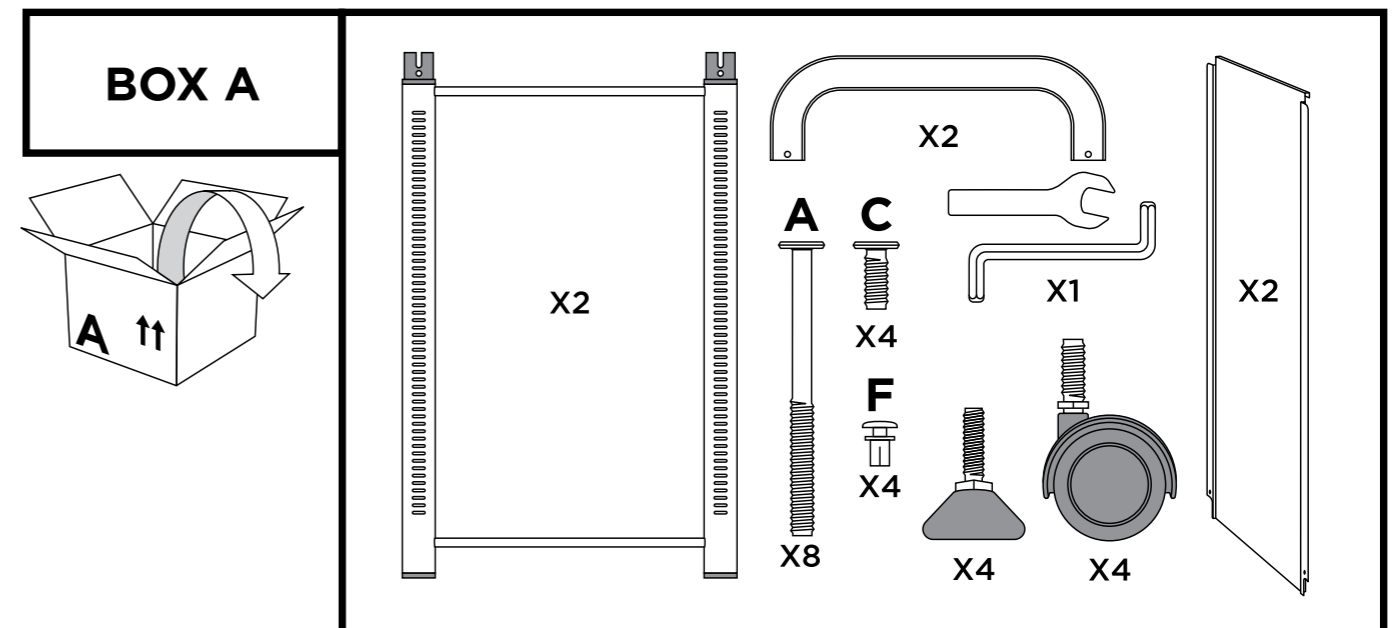
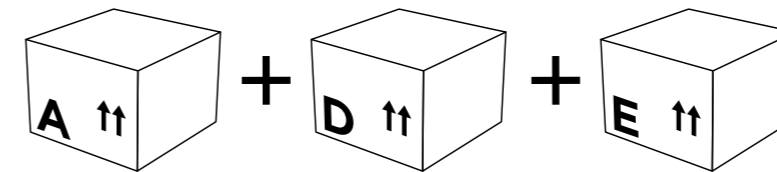


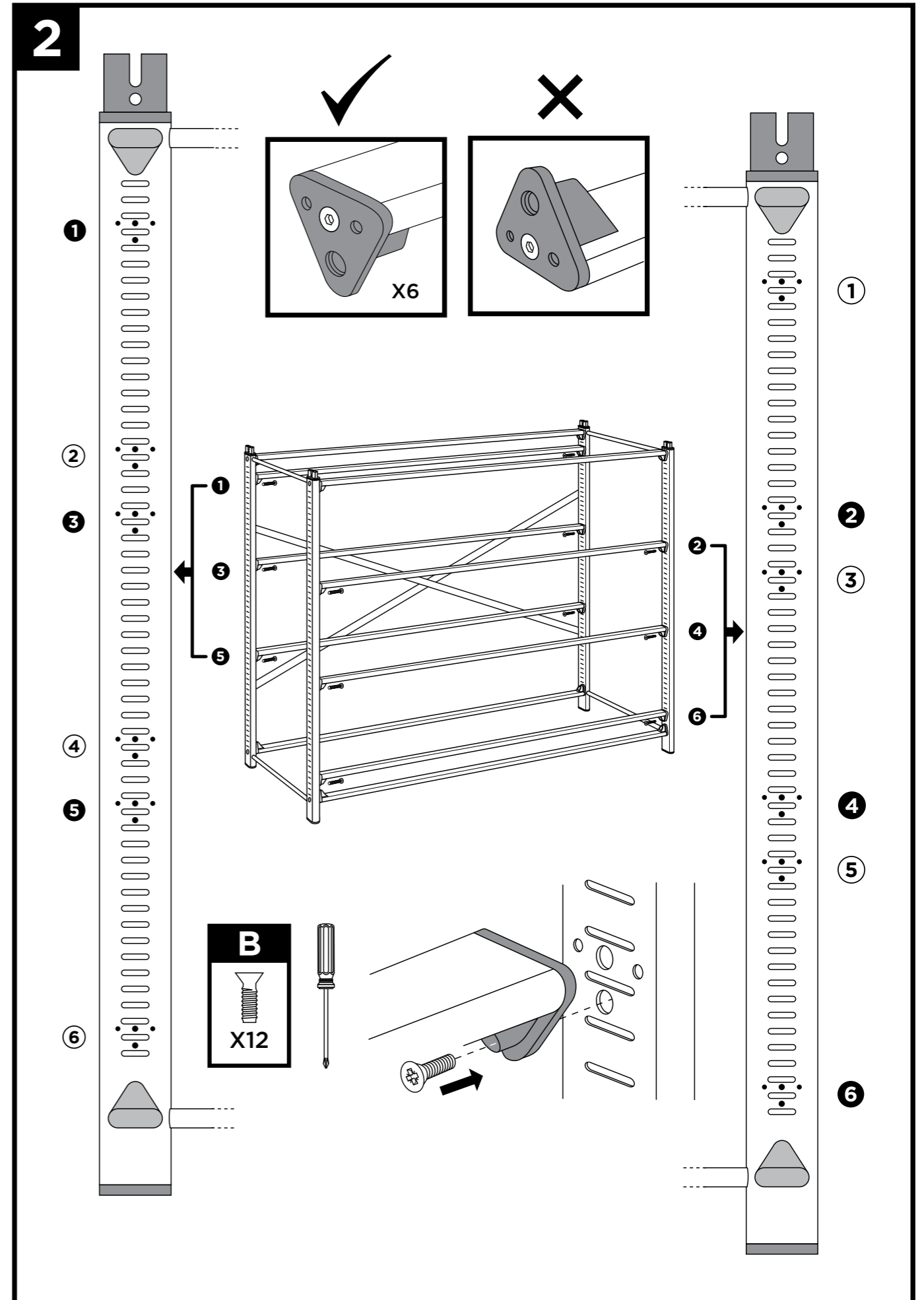
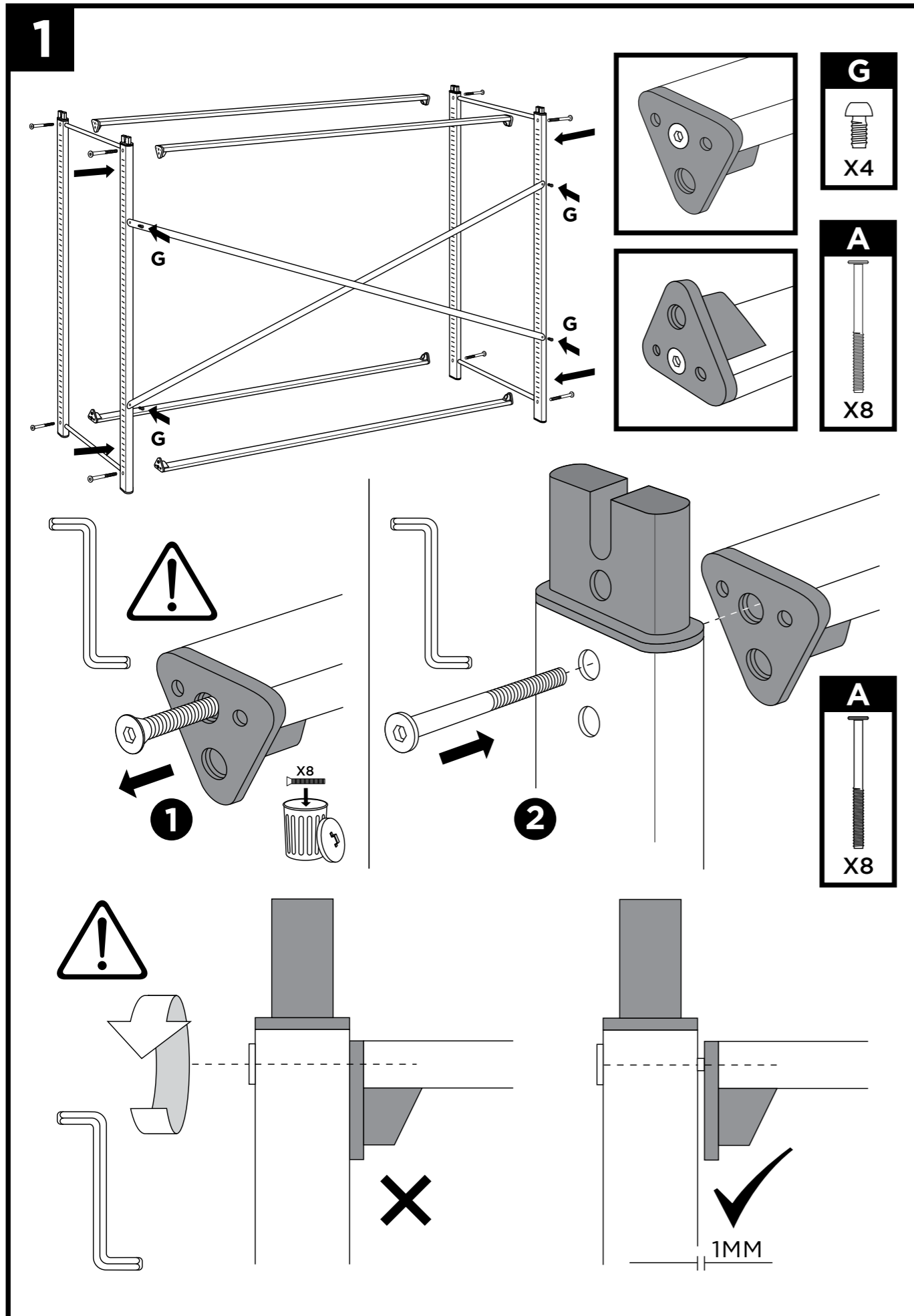


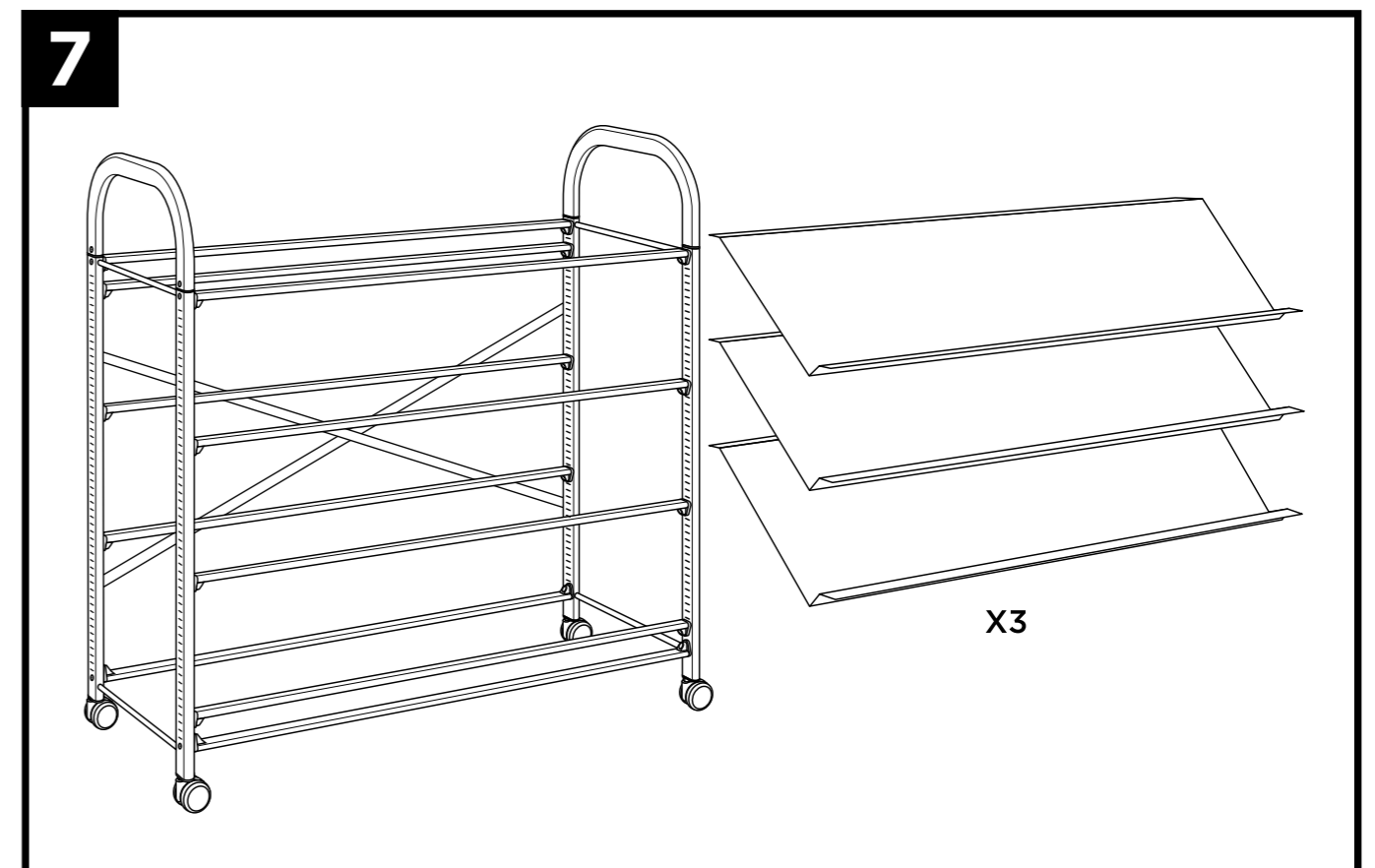
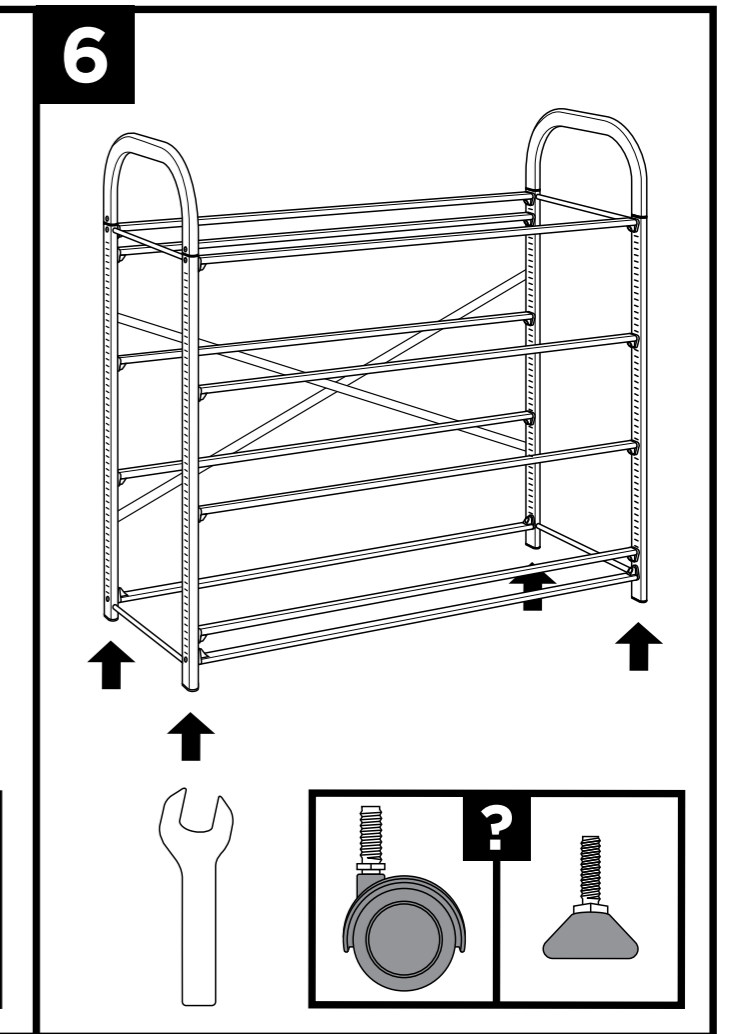
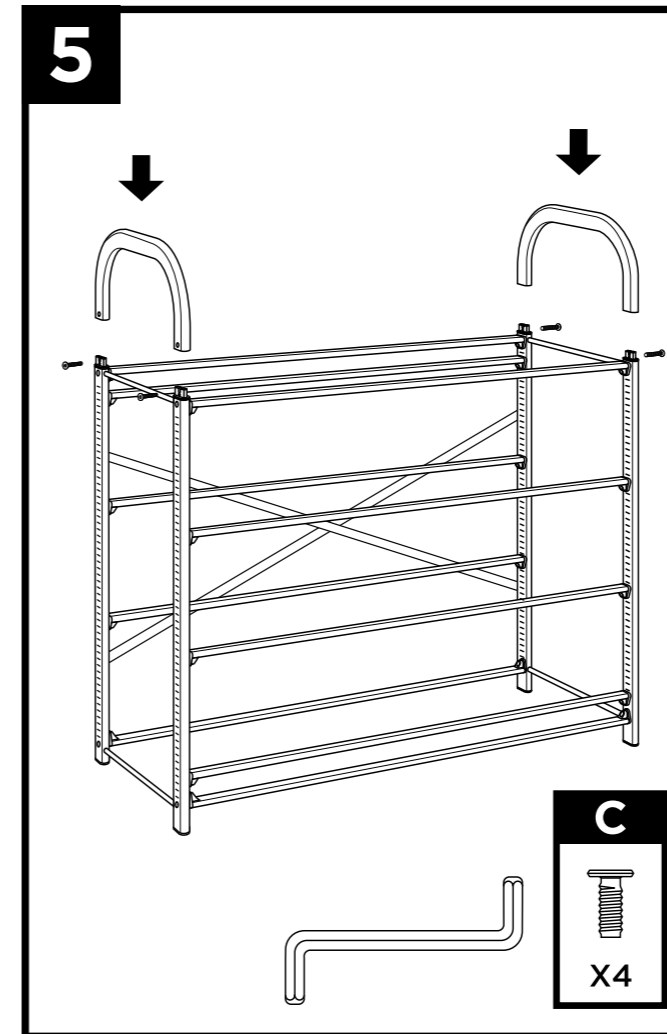
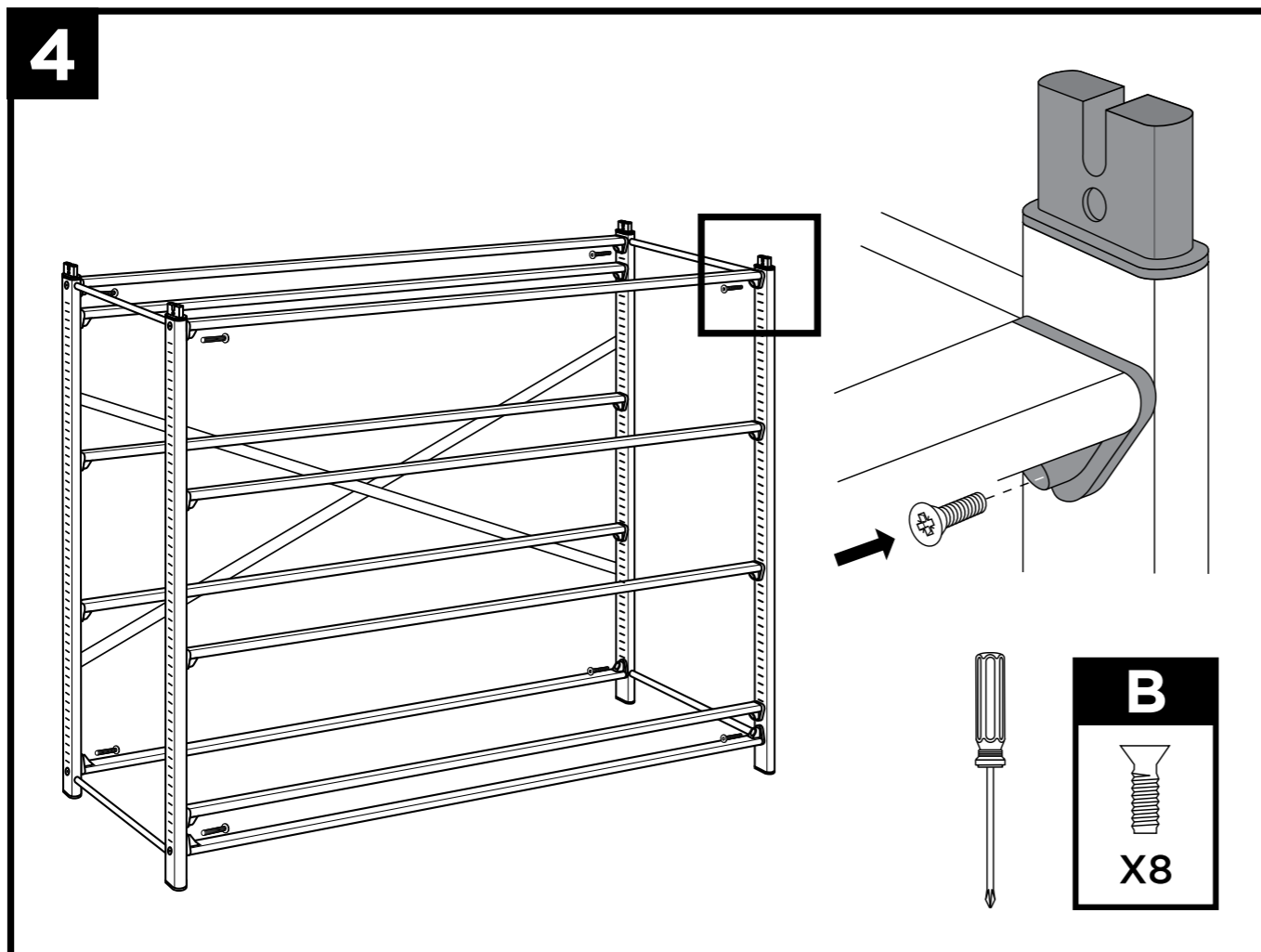
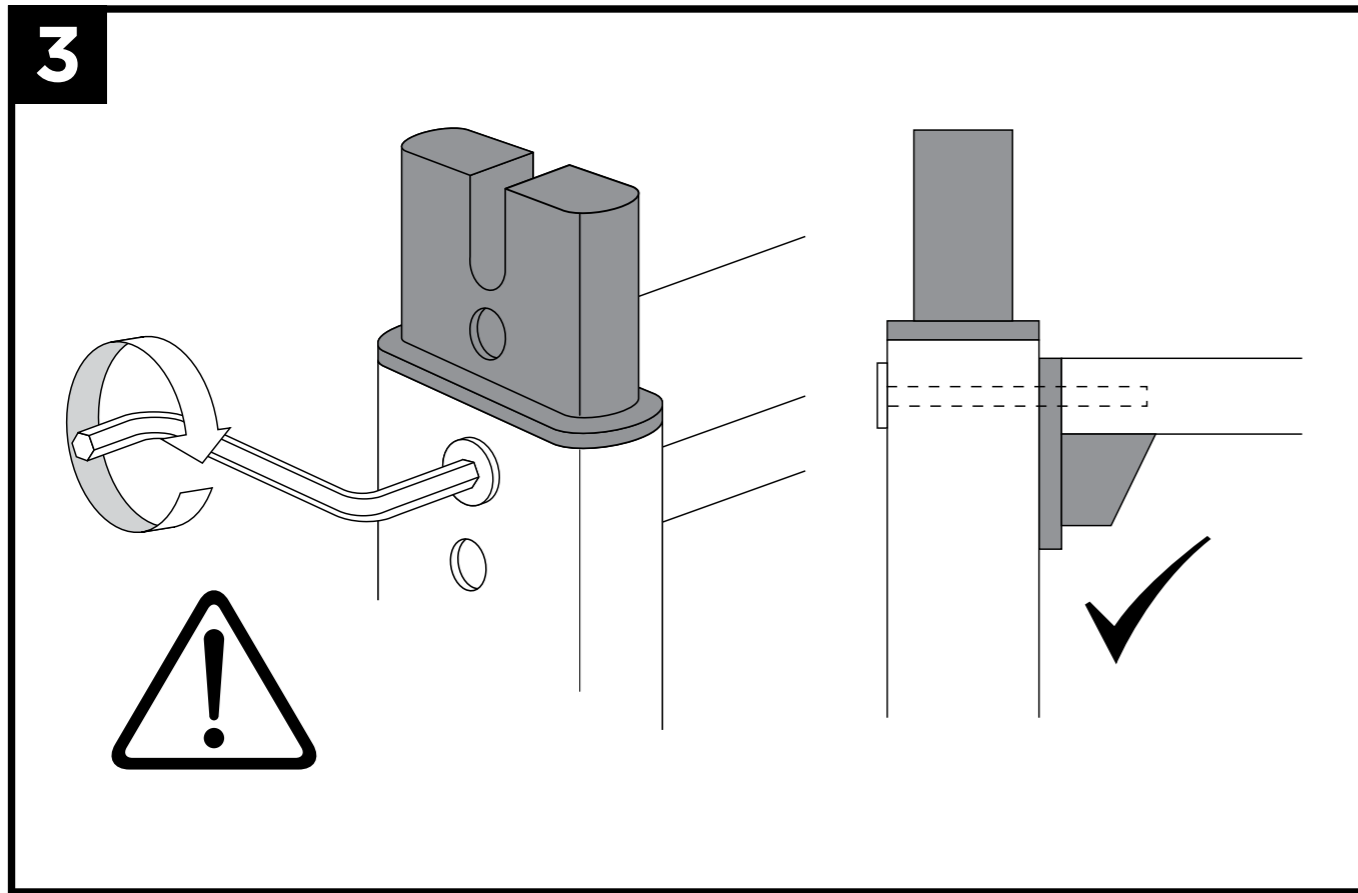
callero
Storage with style.

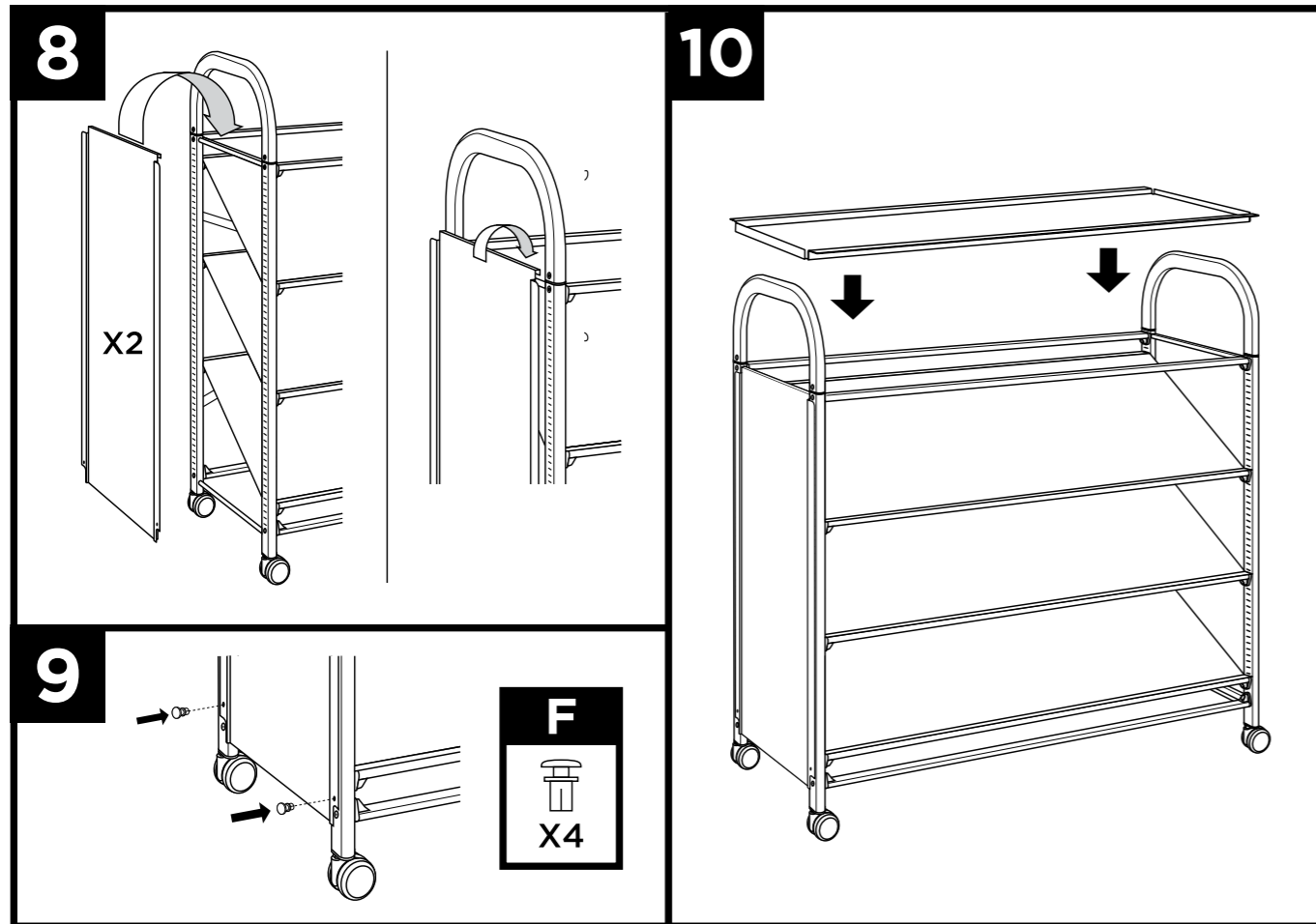
Tilted Shelf Unit

Dimensions: 1030(H) x 1025(W) x 430mm(D).







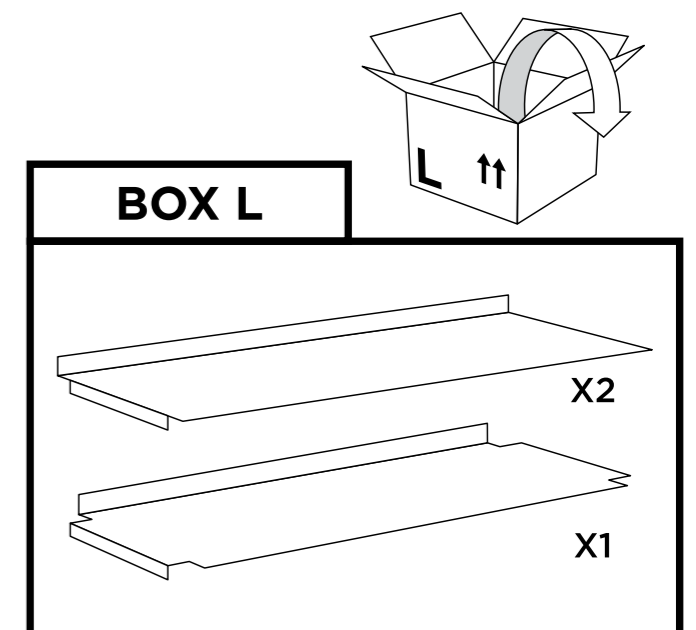
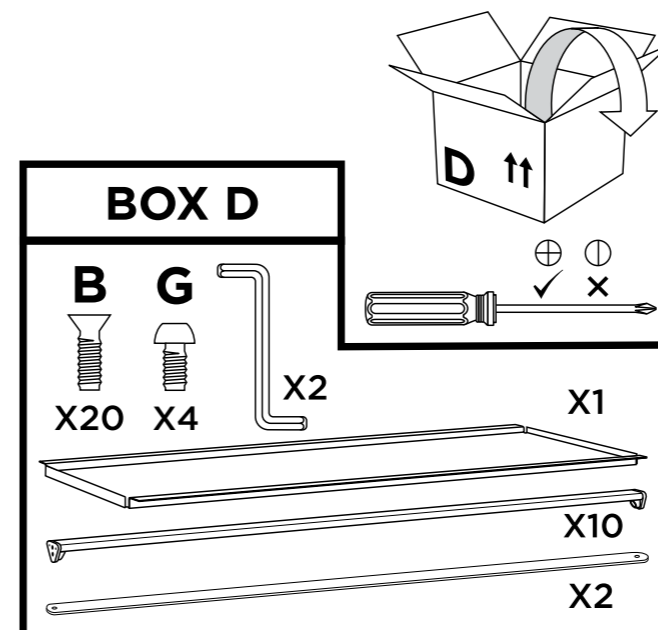
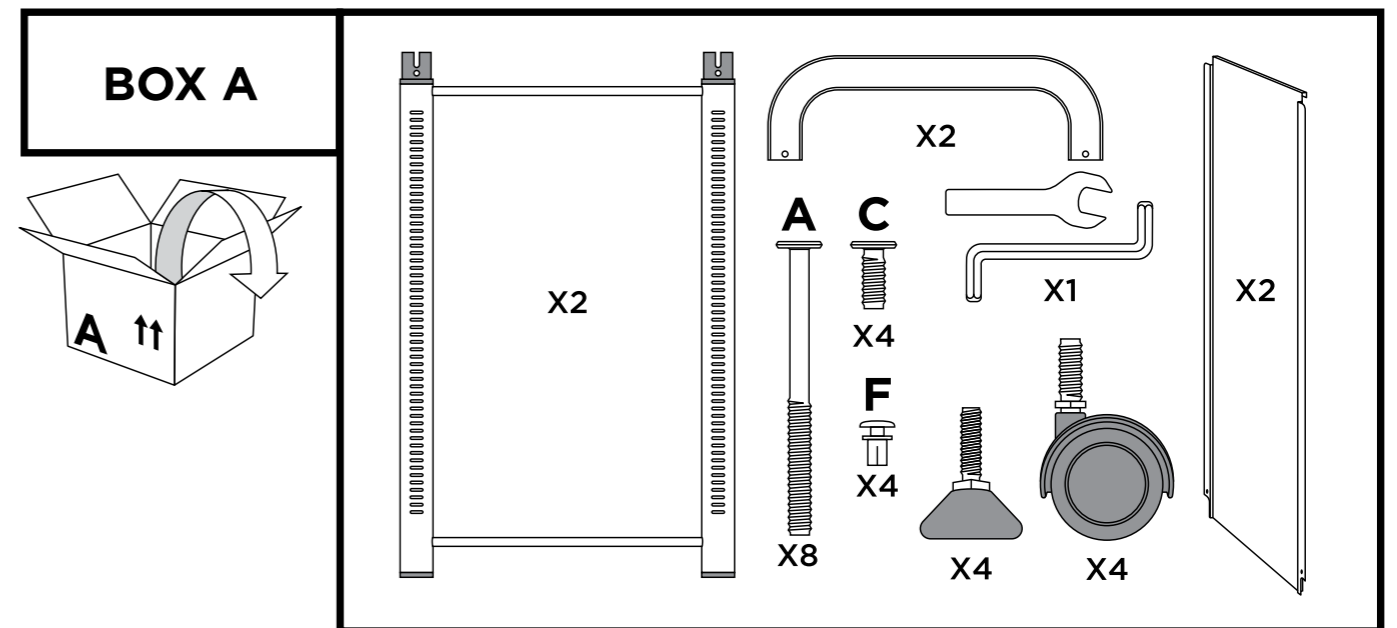
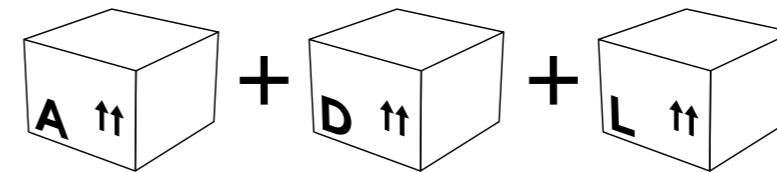


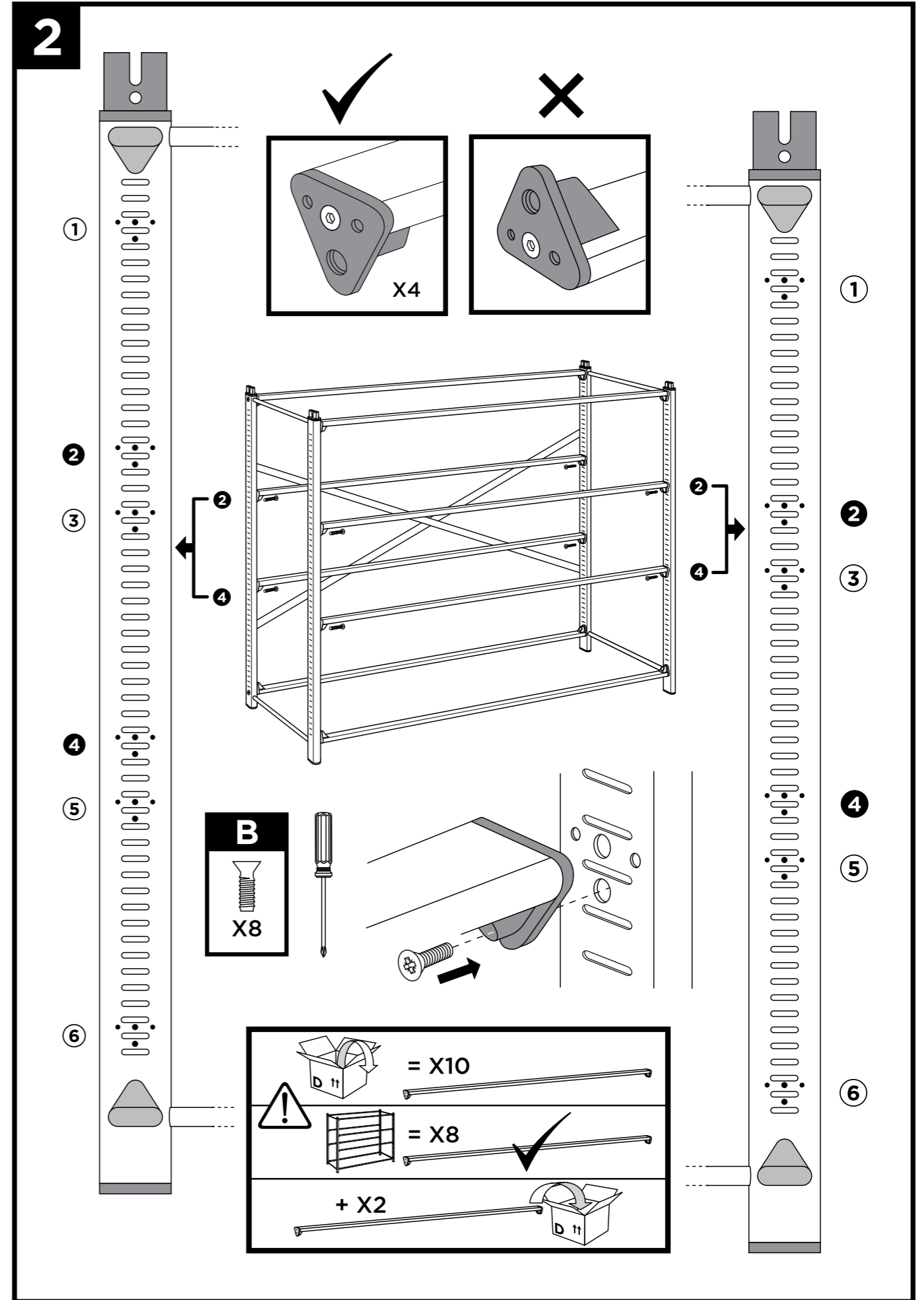
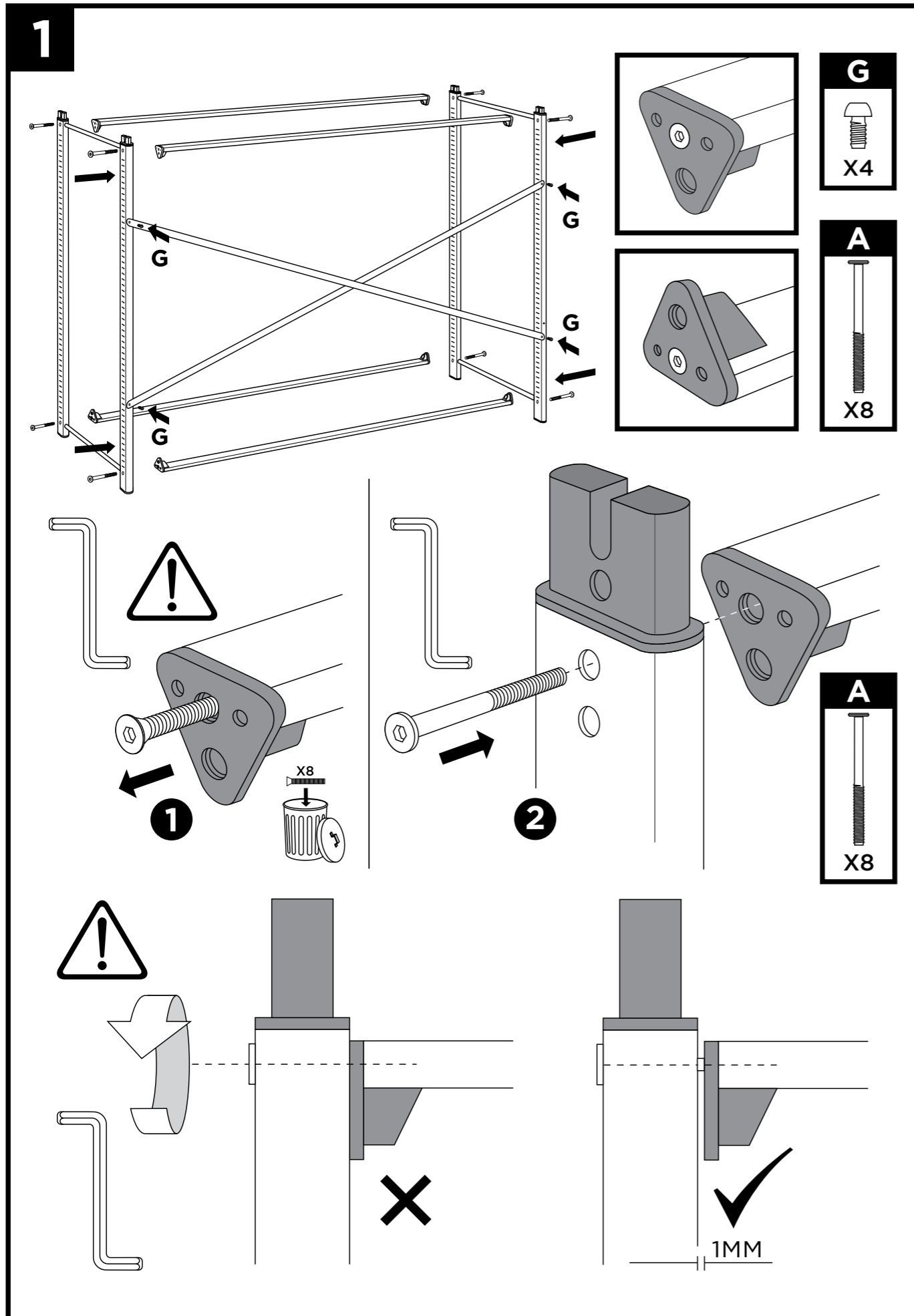
callero

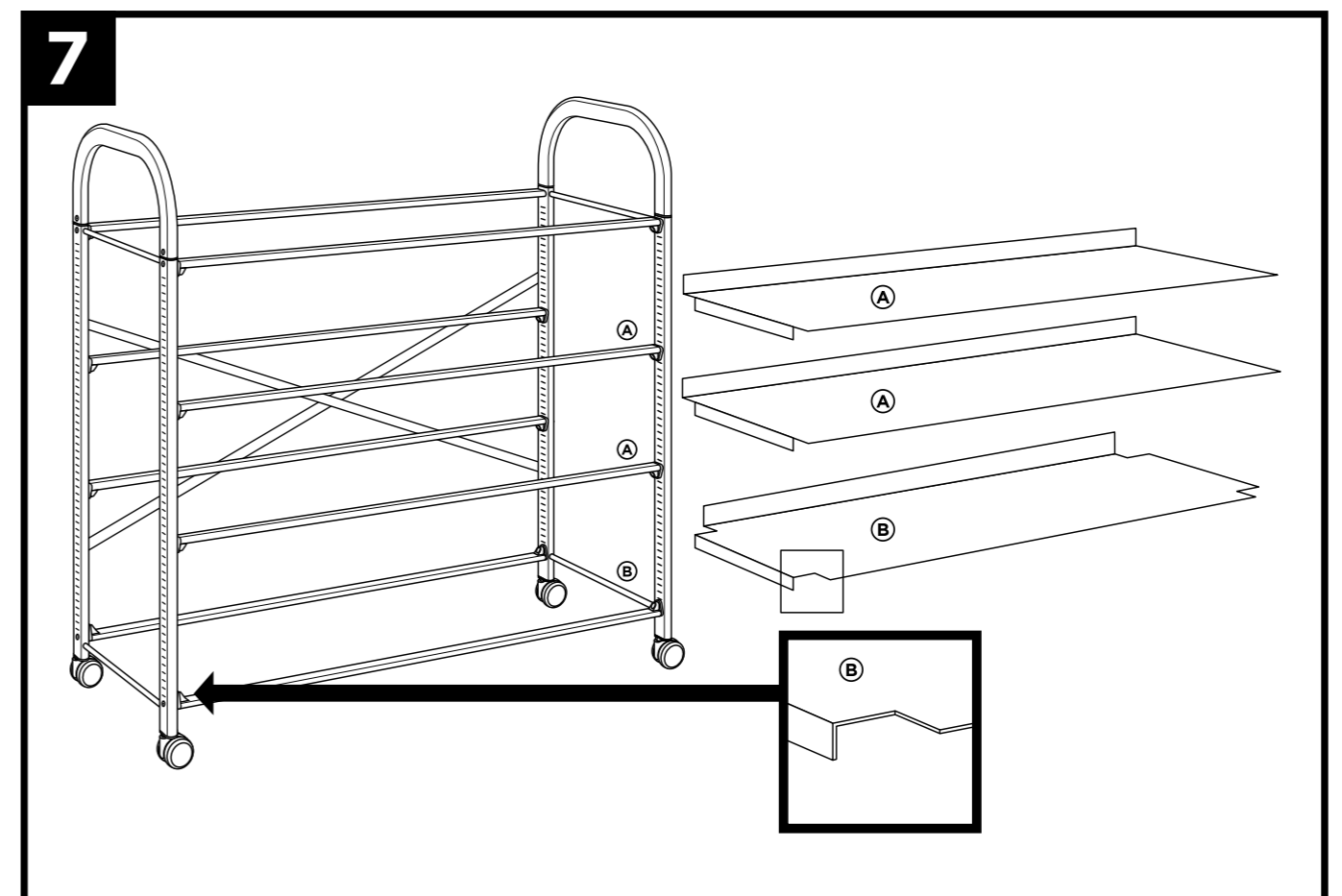
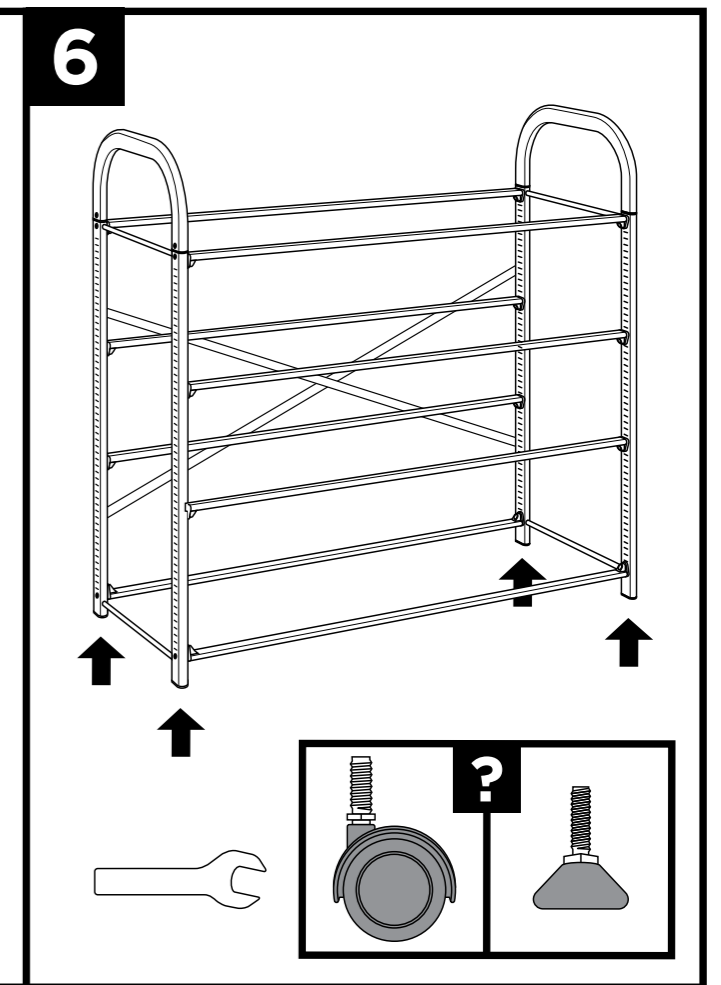
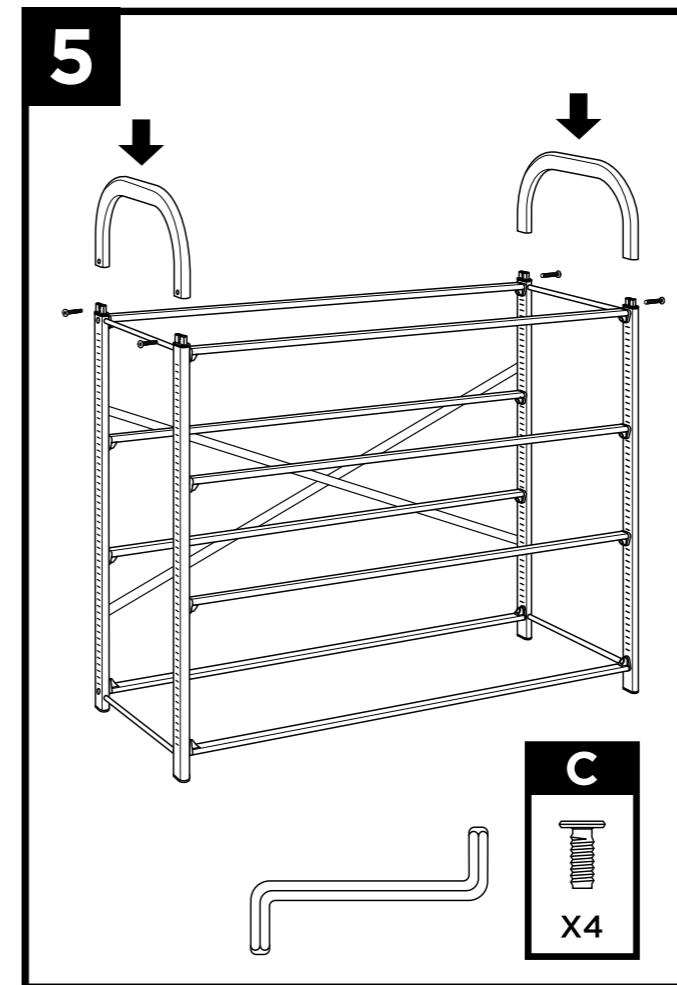
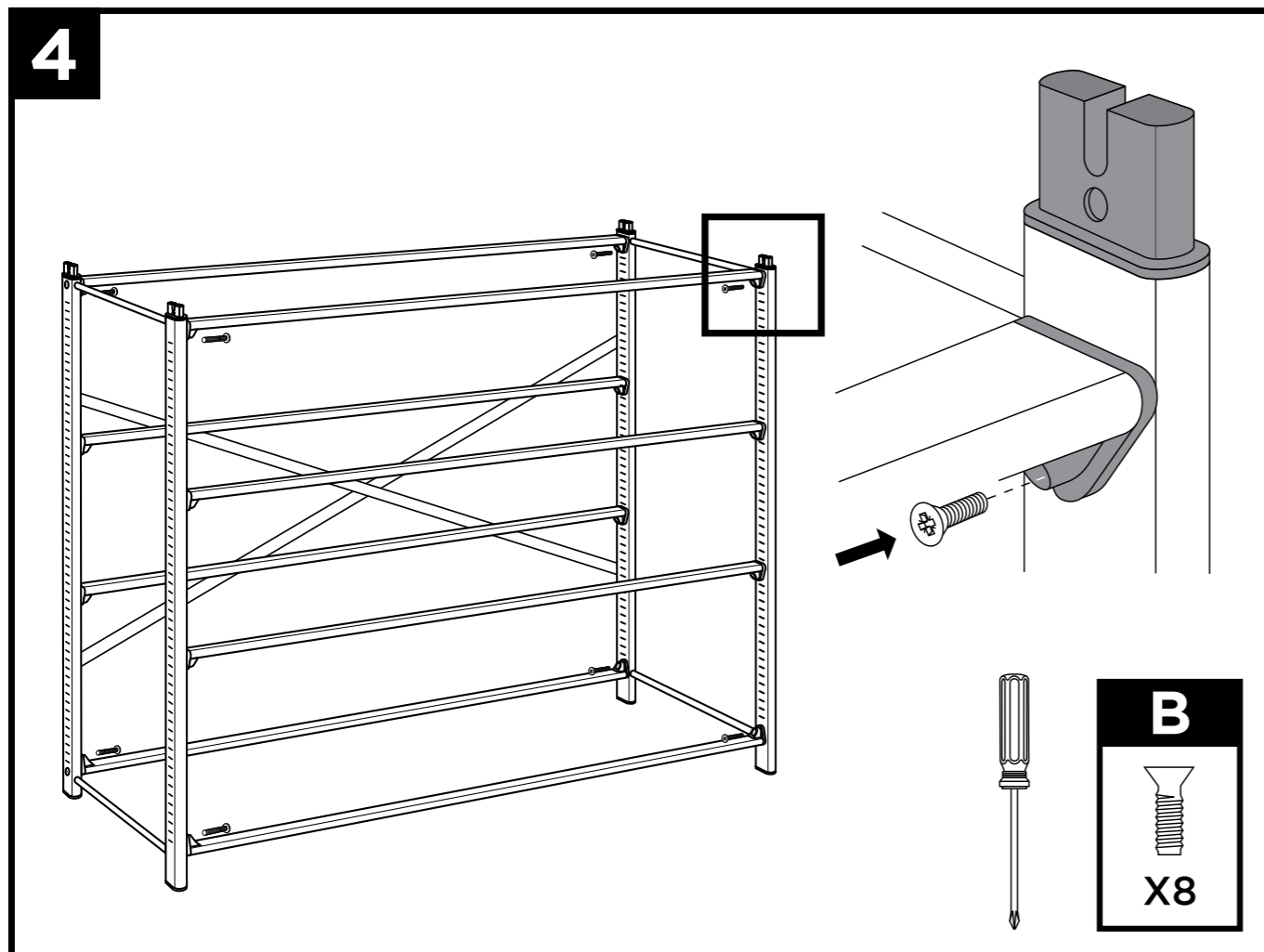
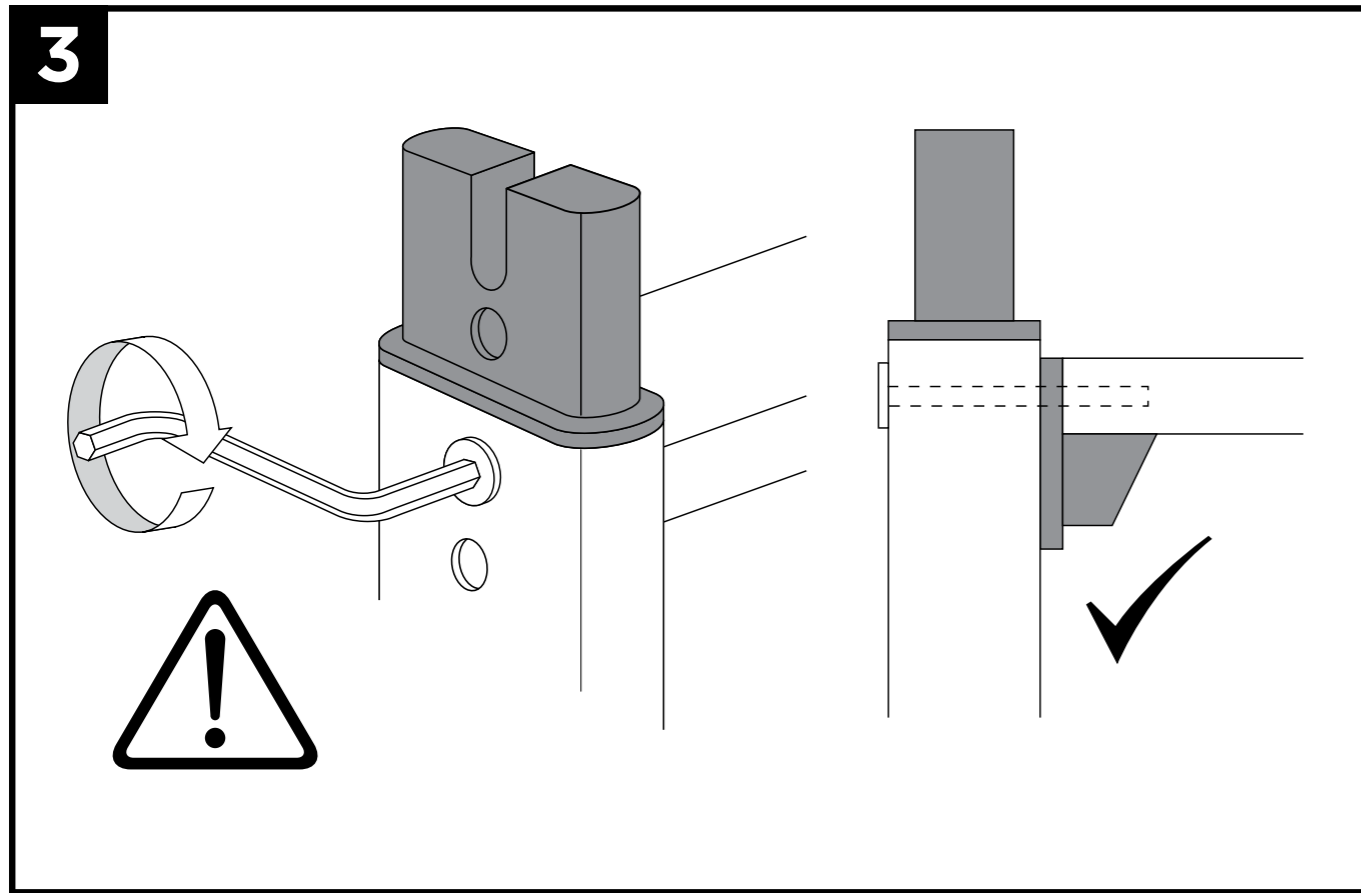
Storage with style.

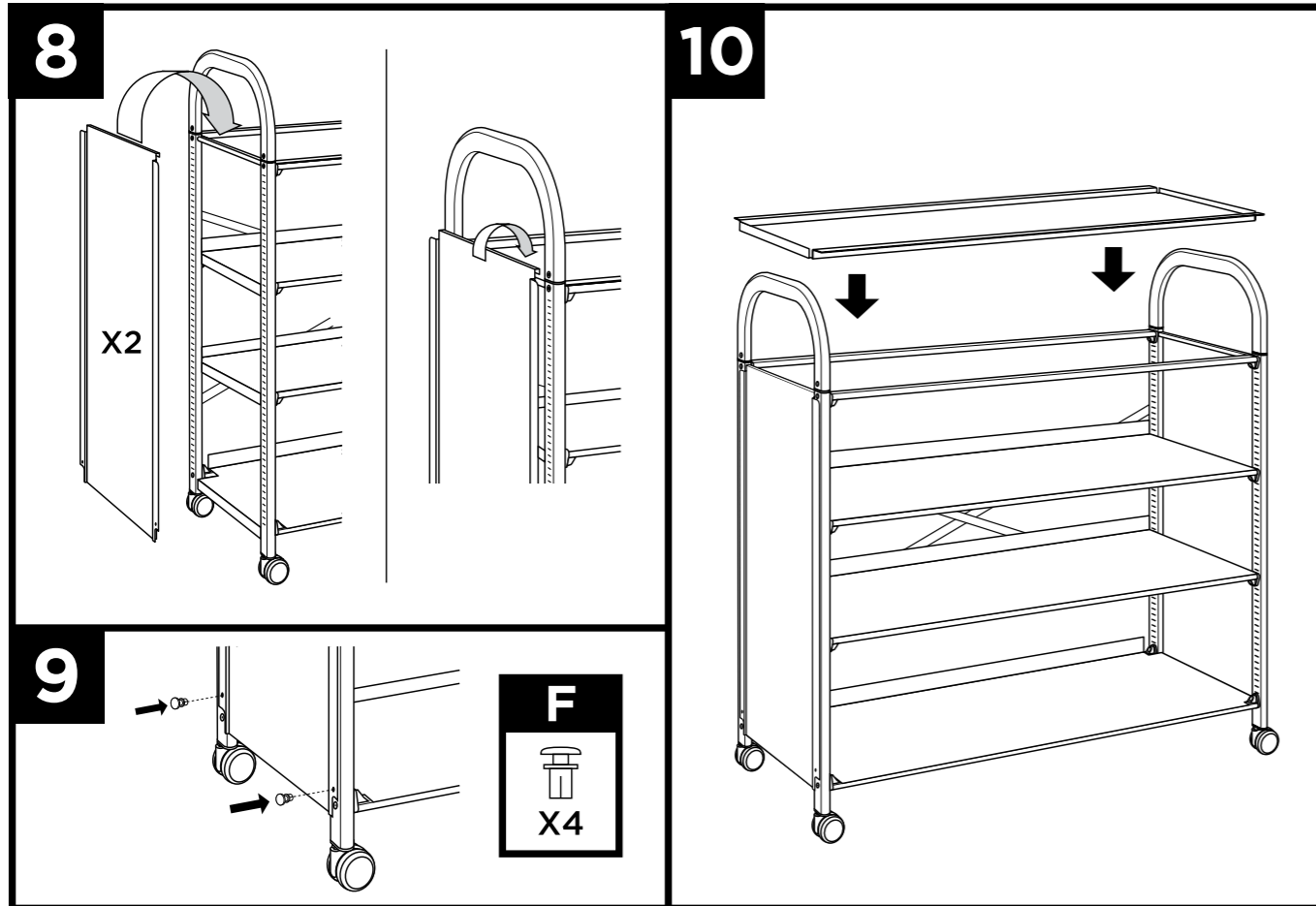
Flat Shelf Unit

Dimensions: 1030(H) x 1025(W) x 430mm(D).







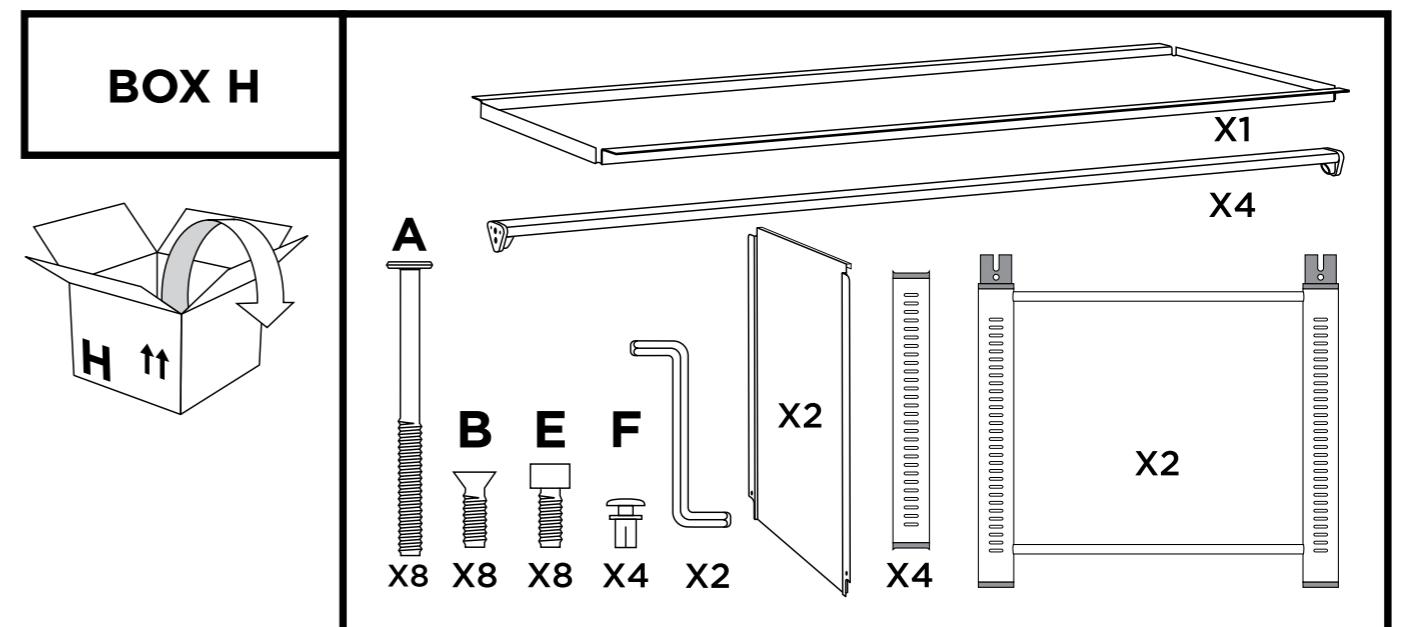
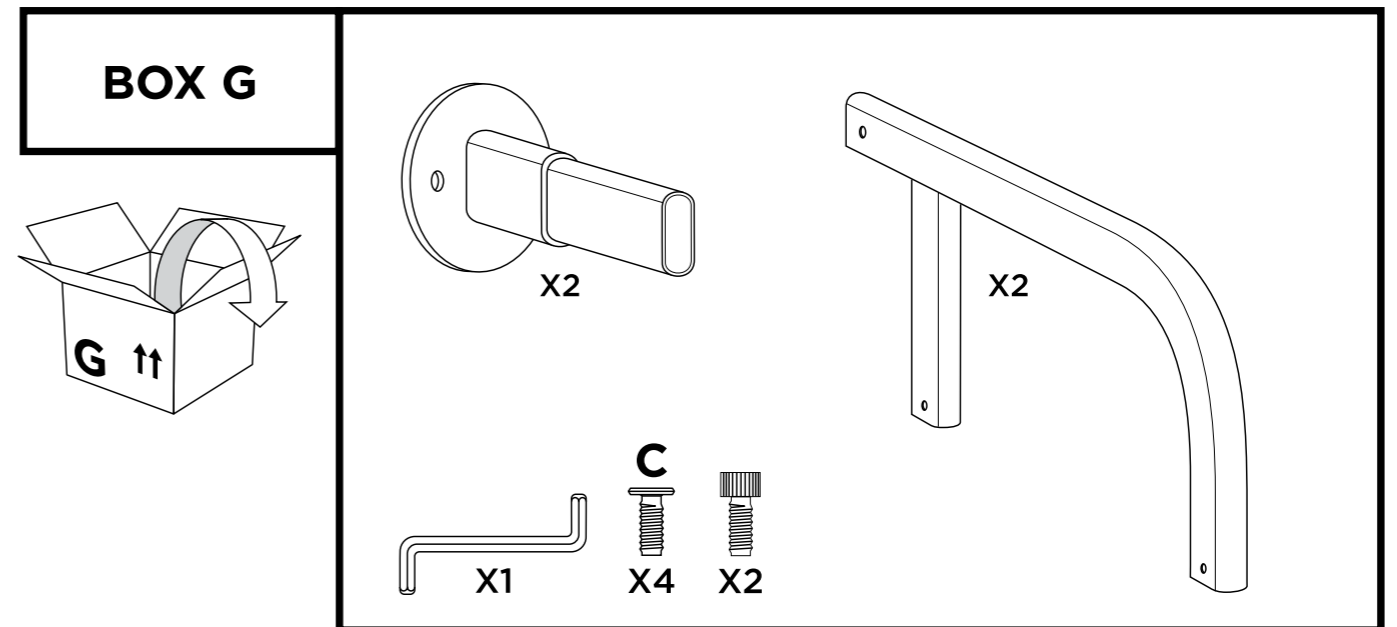
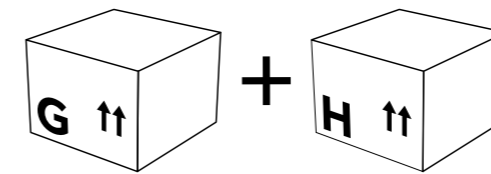
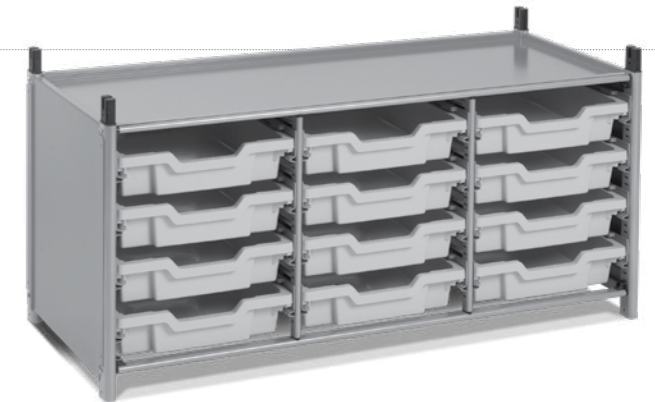


callero

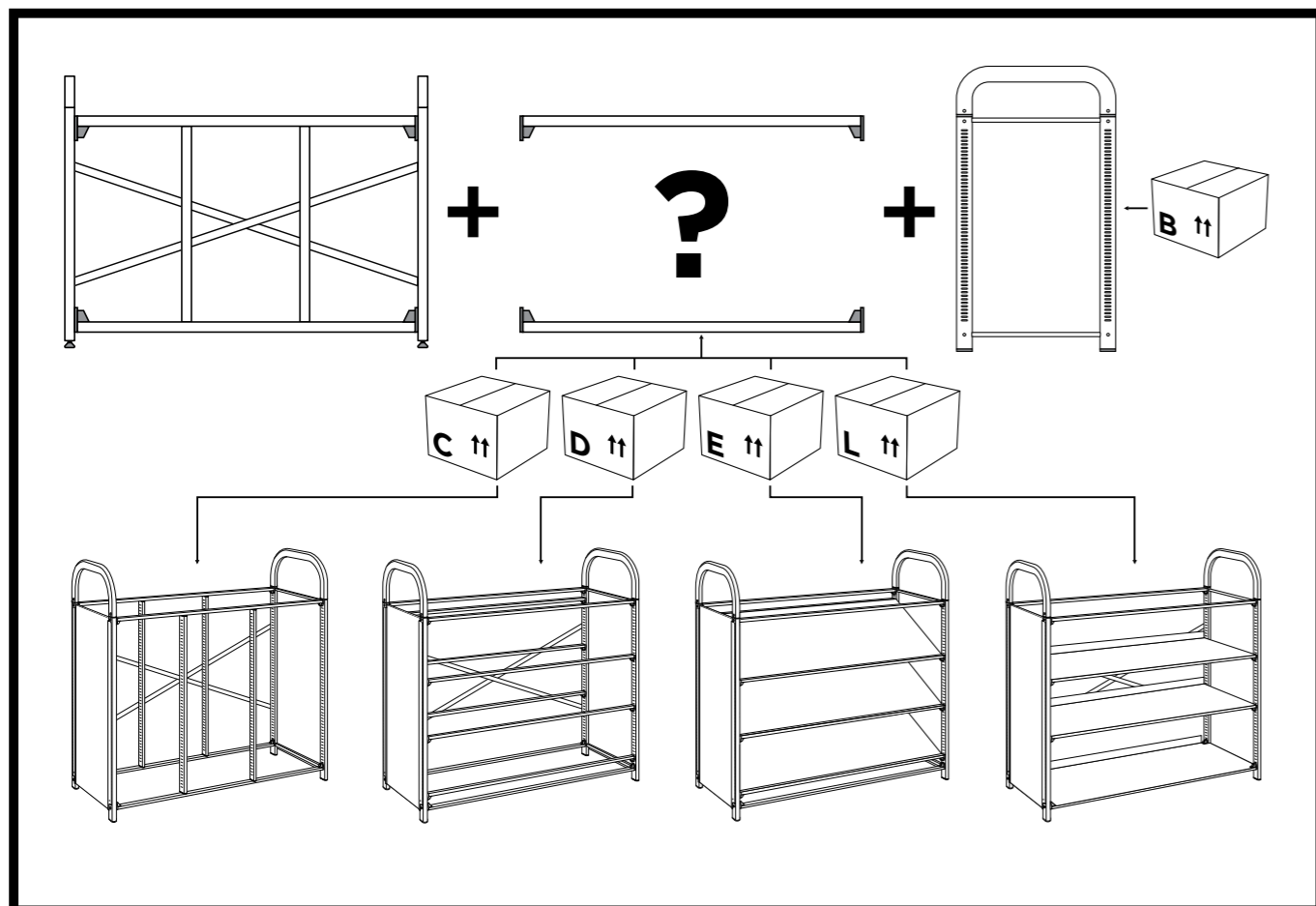
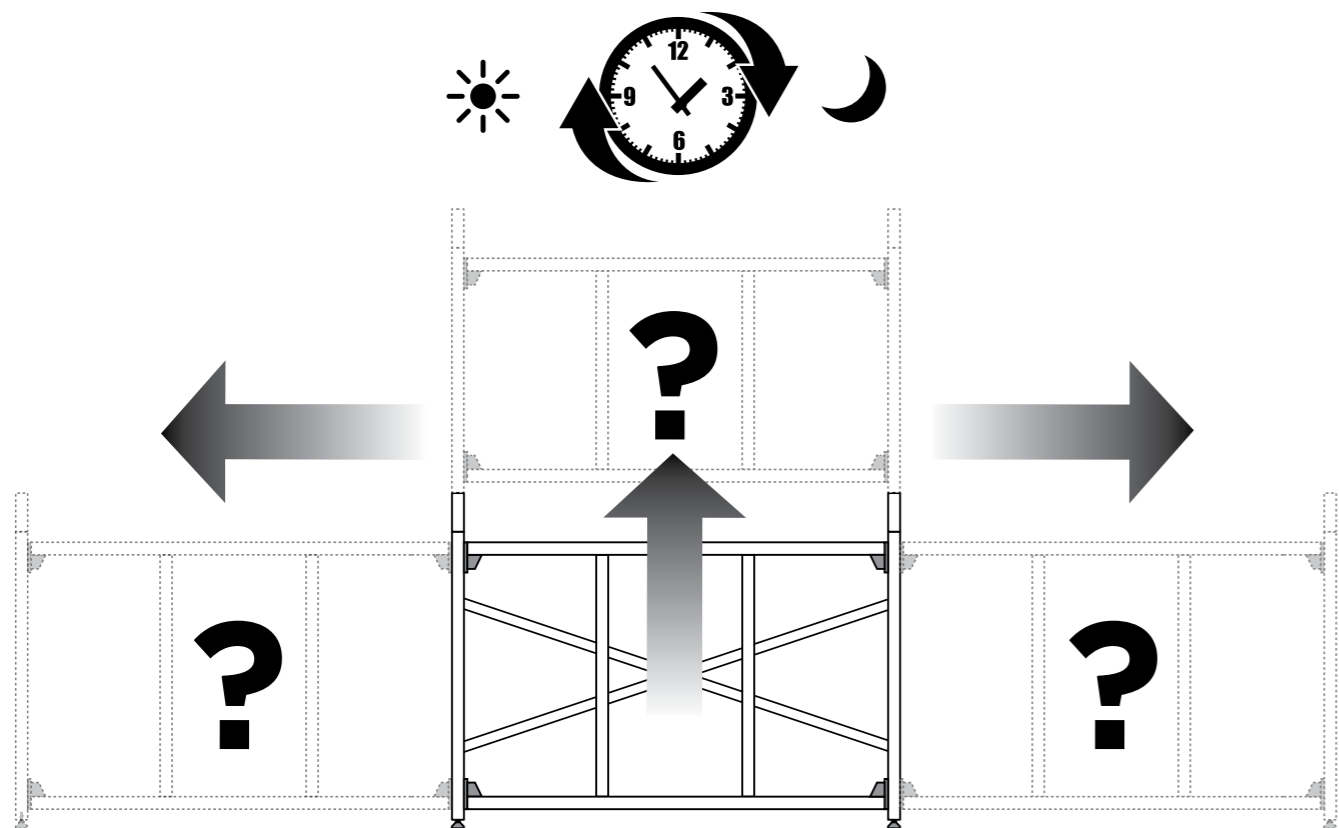
Storage with style.

12 Tray Extension Unit

Dimensions: 450(H) x 1025(W) x 430mm(D).



HOW TO EXPAND THE SYSTEM

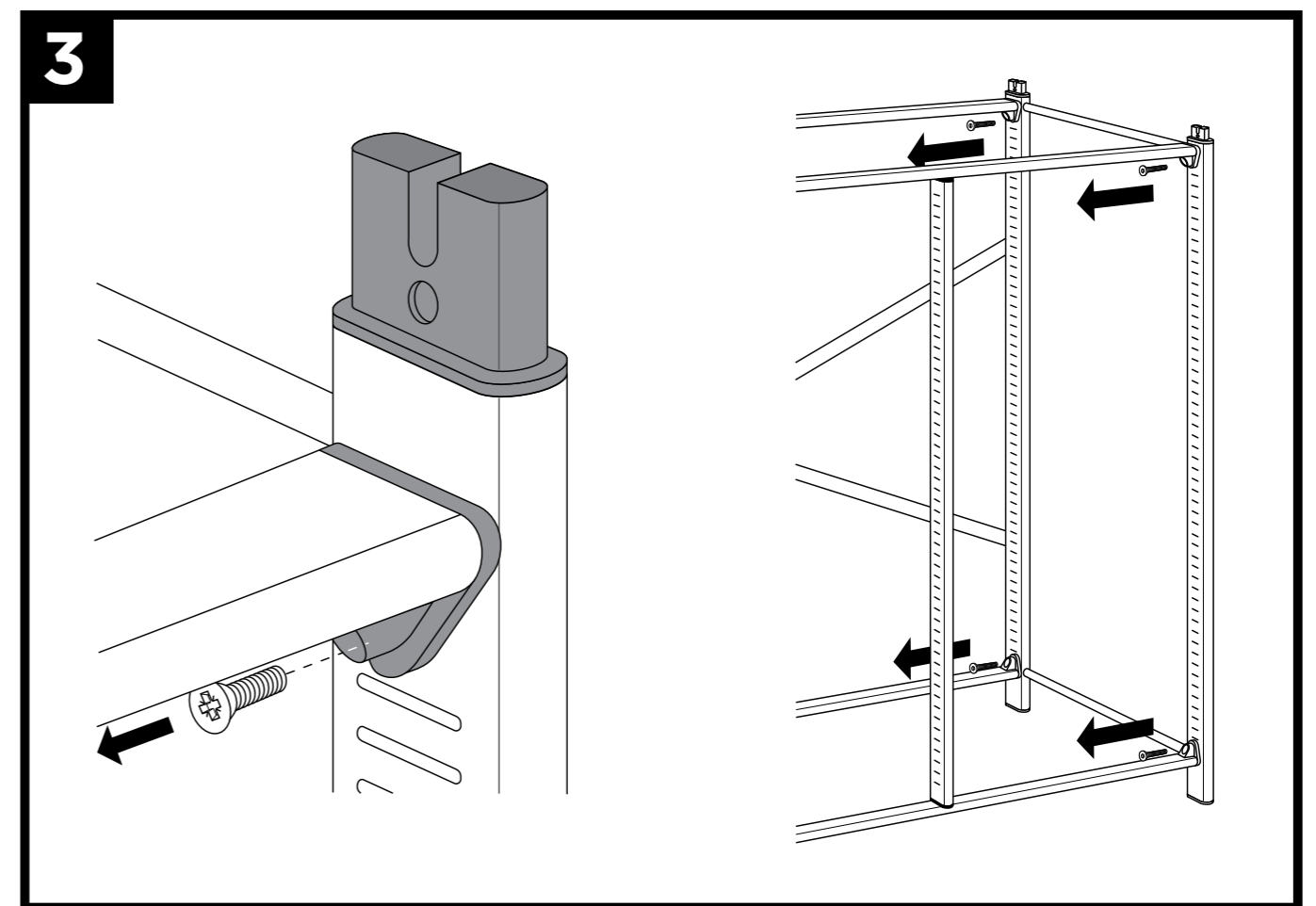
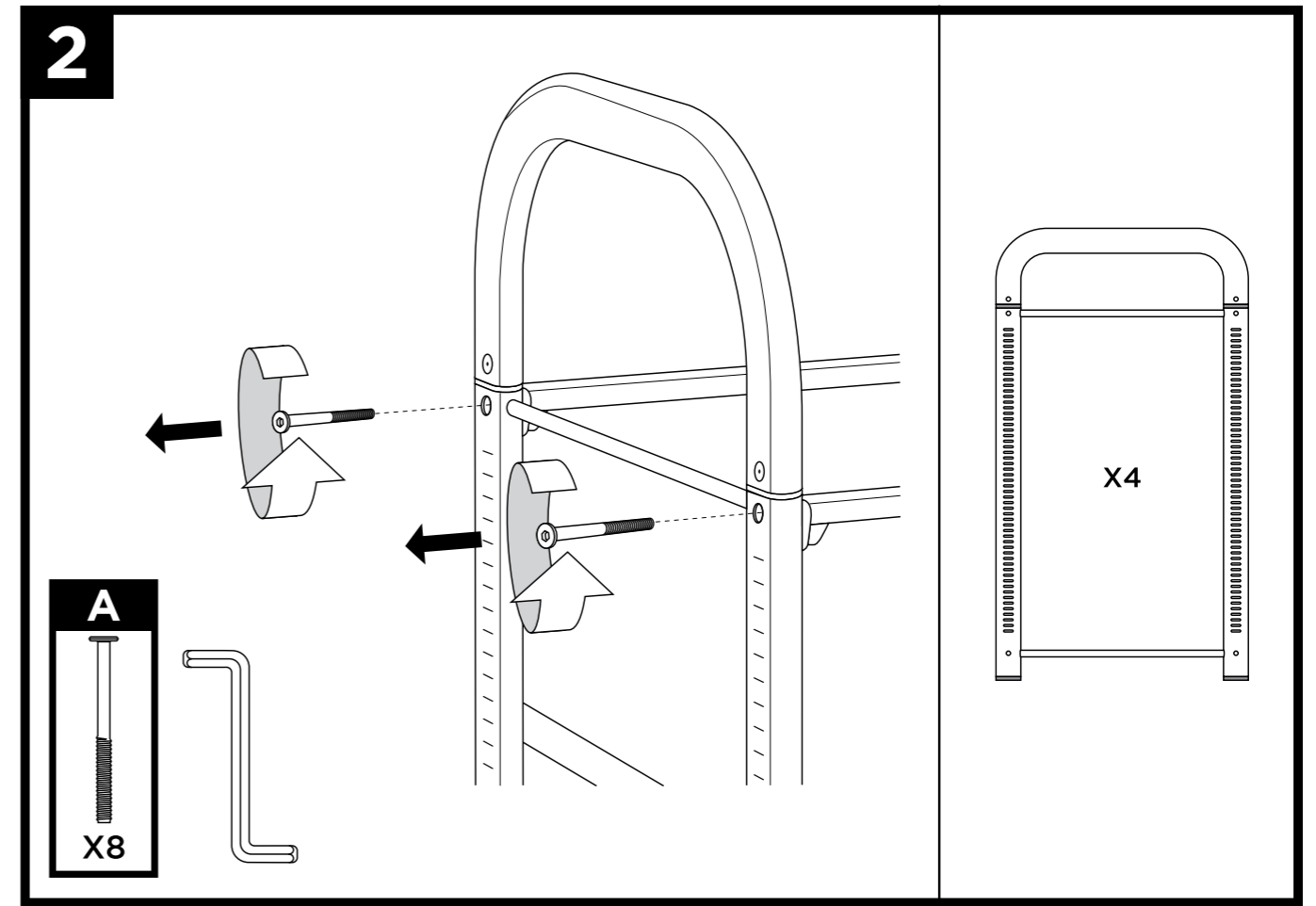
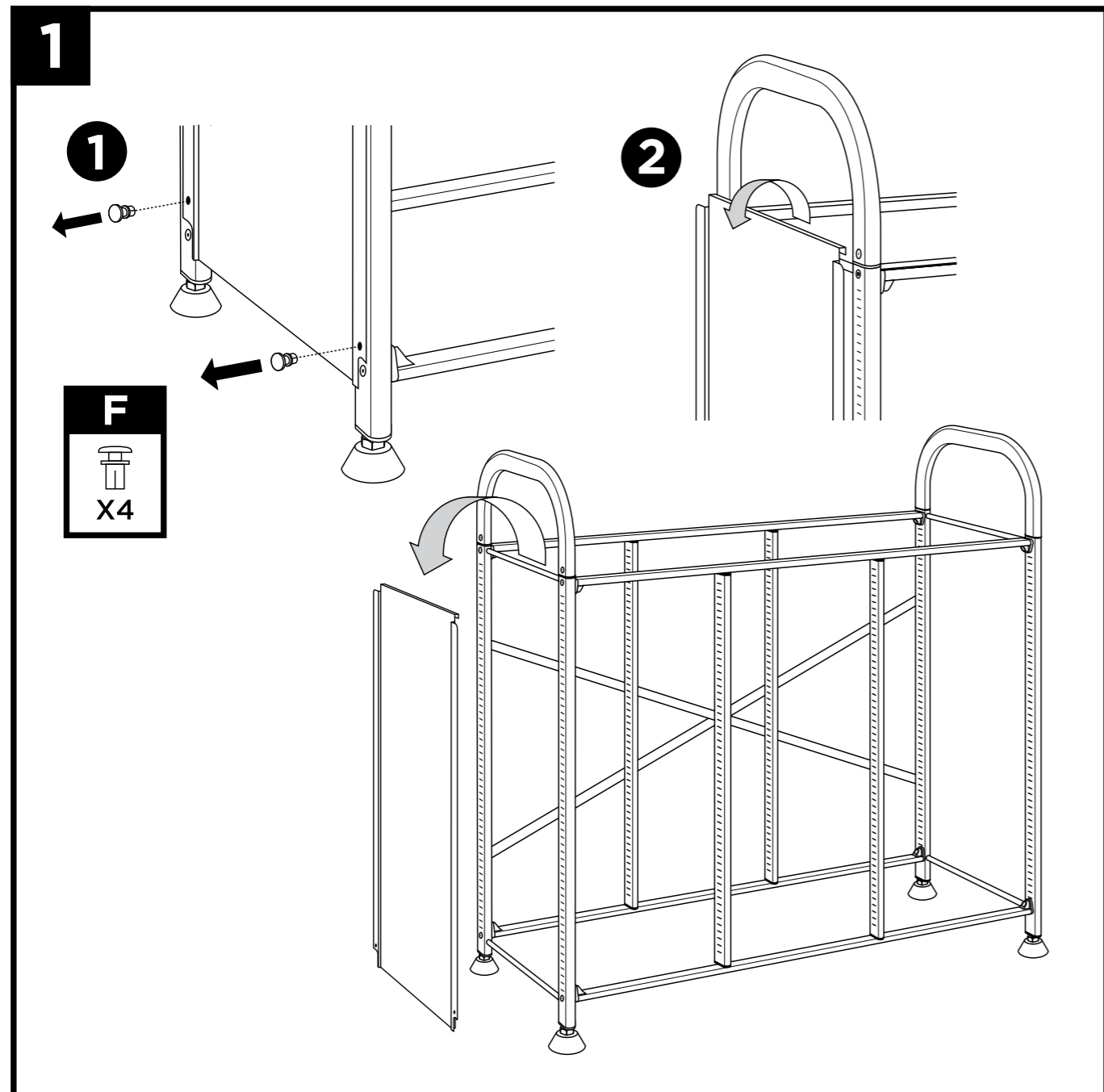
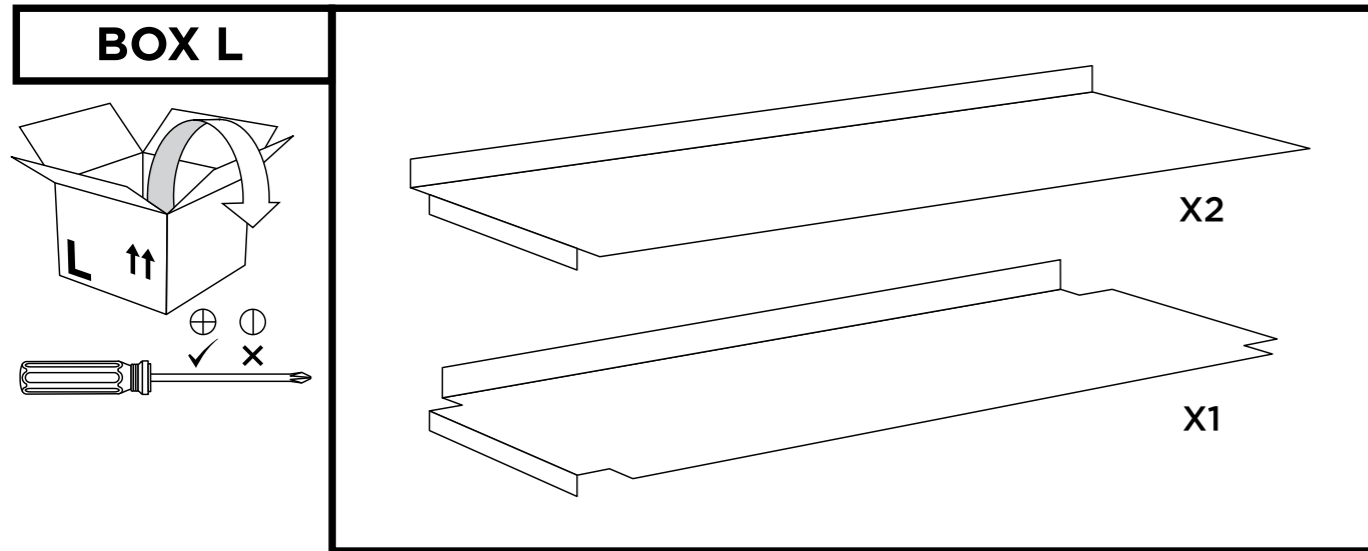


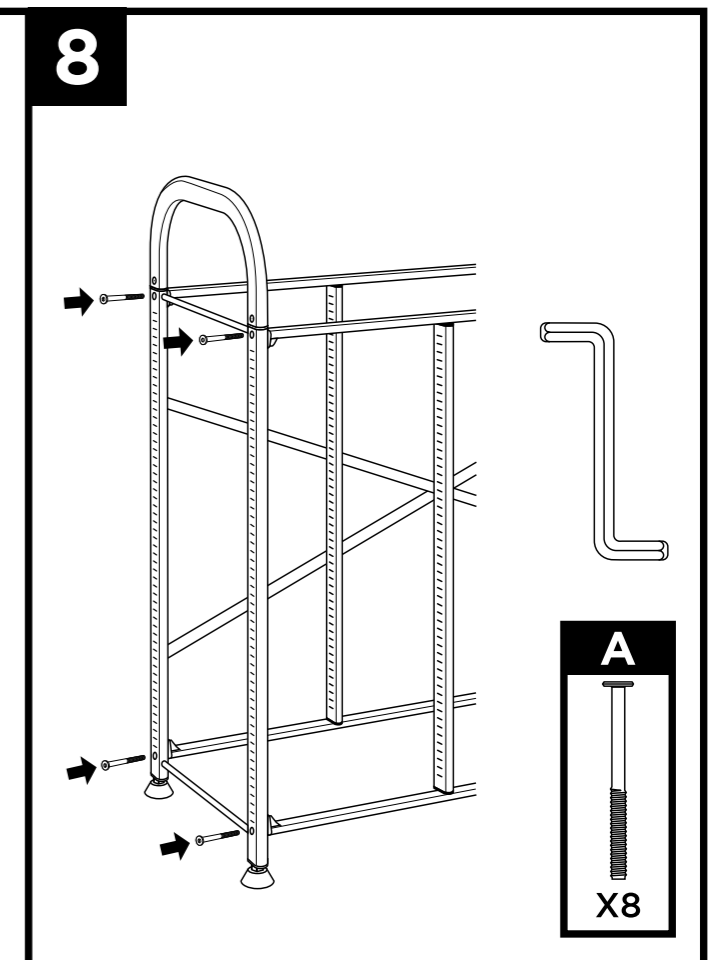
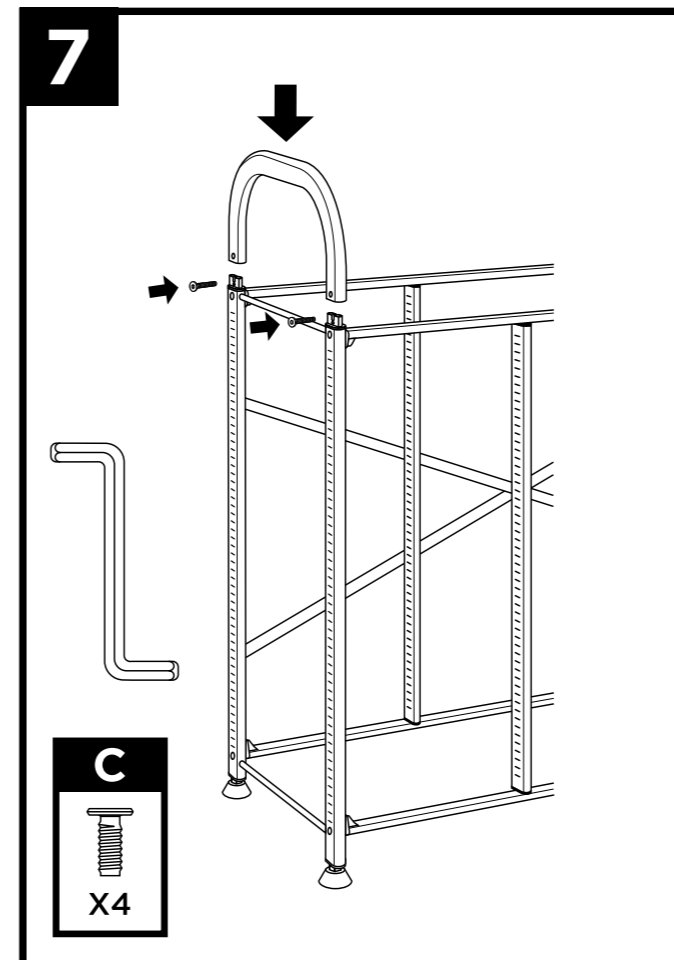
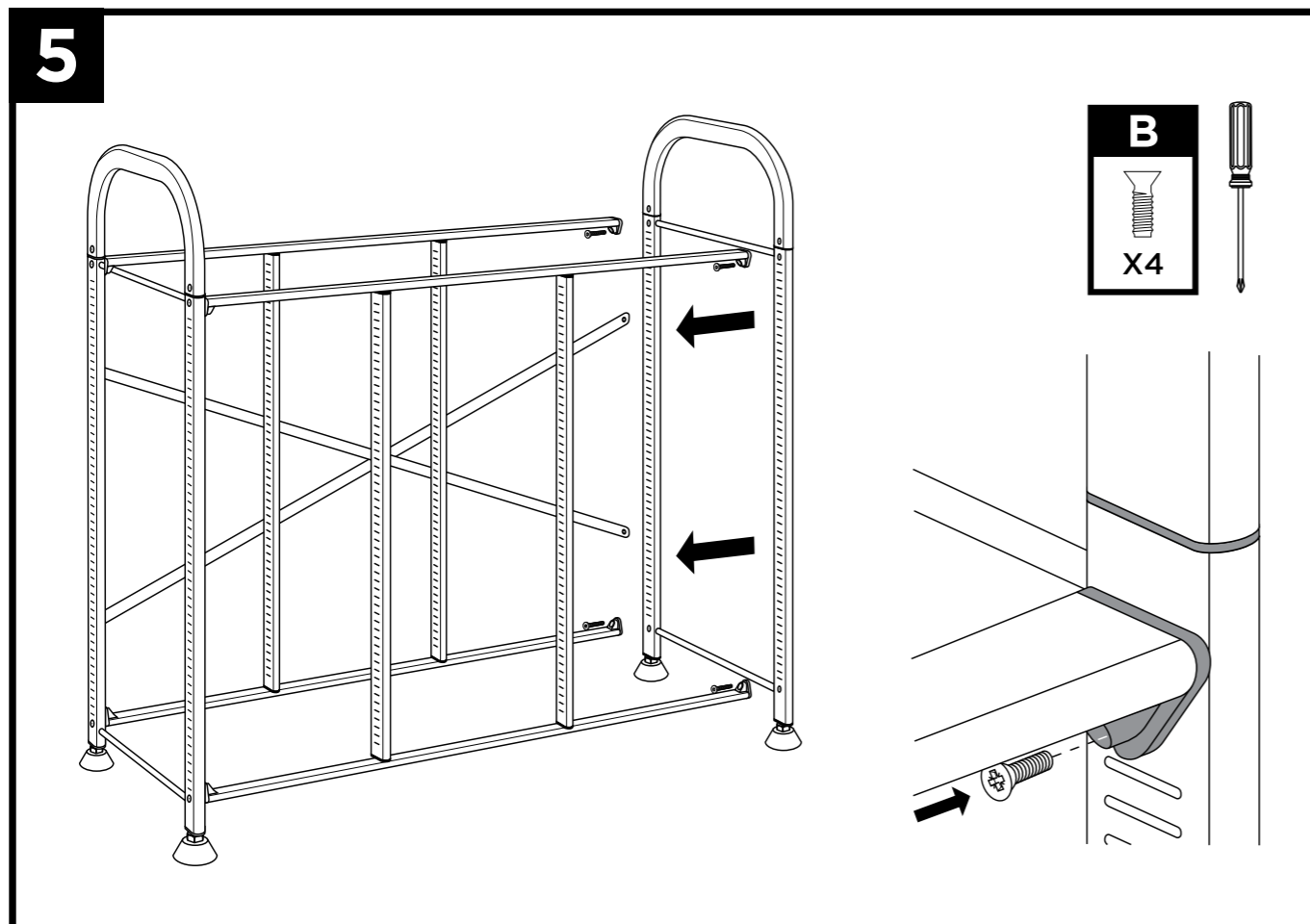
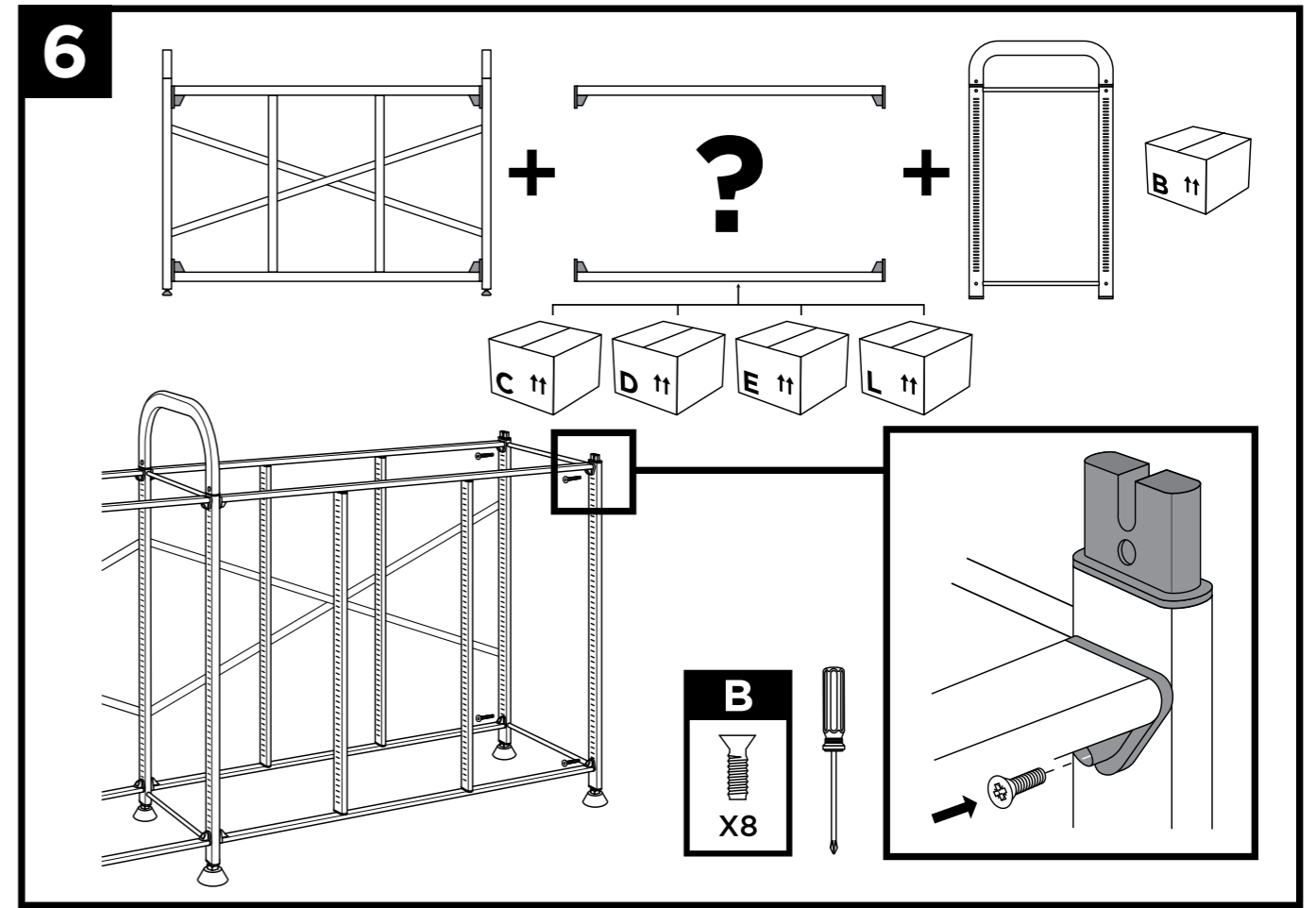
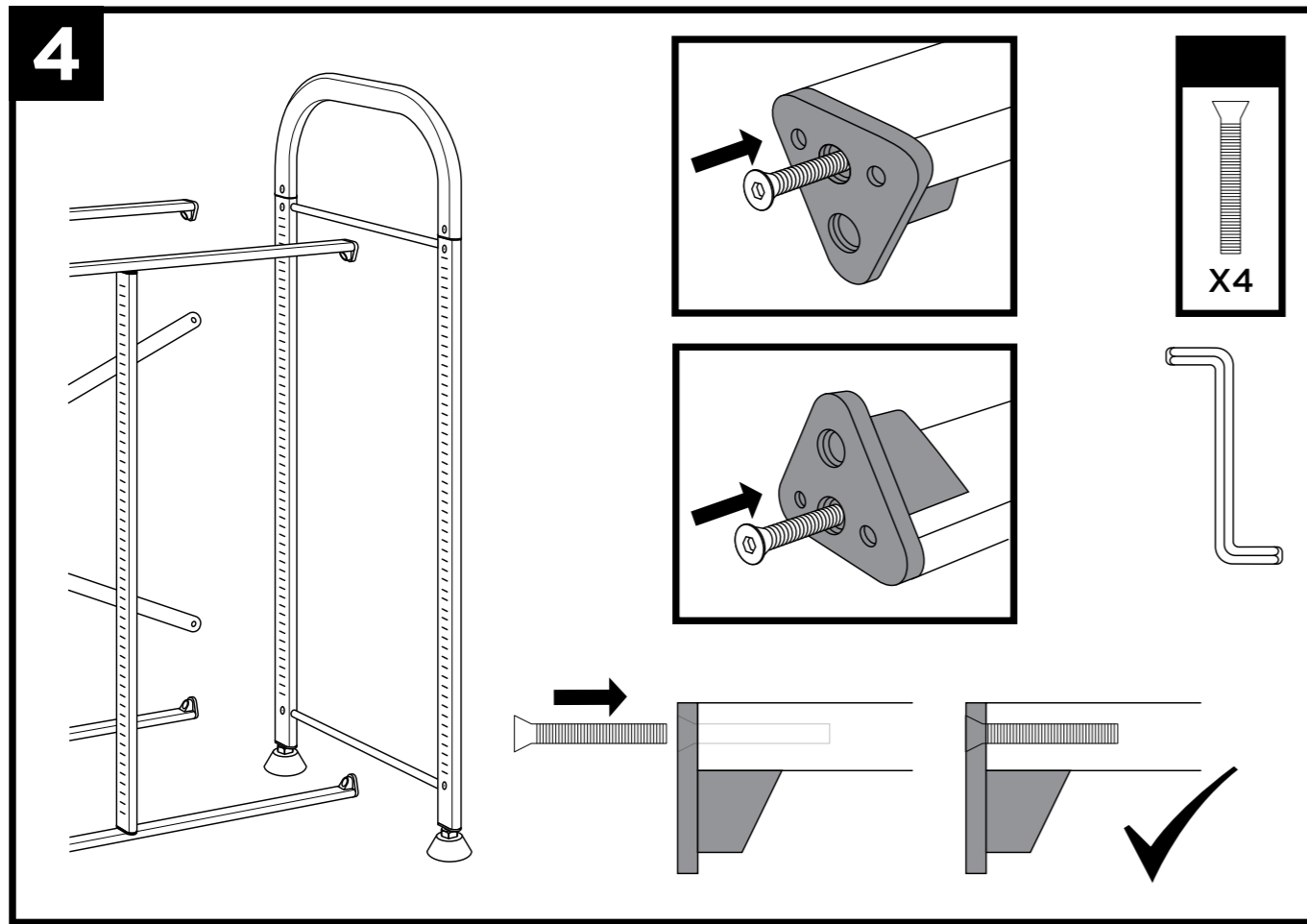
BOX B

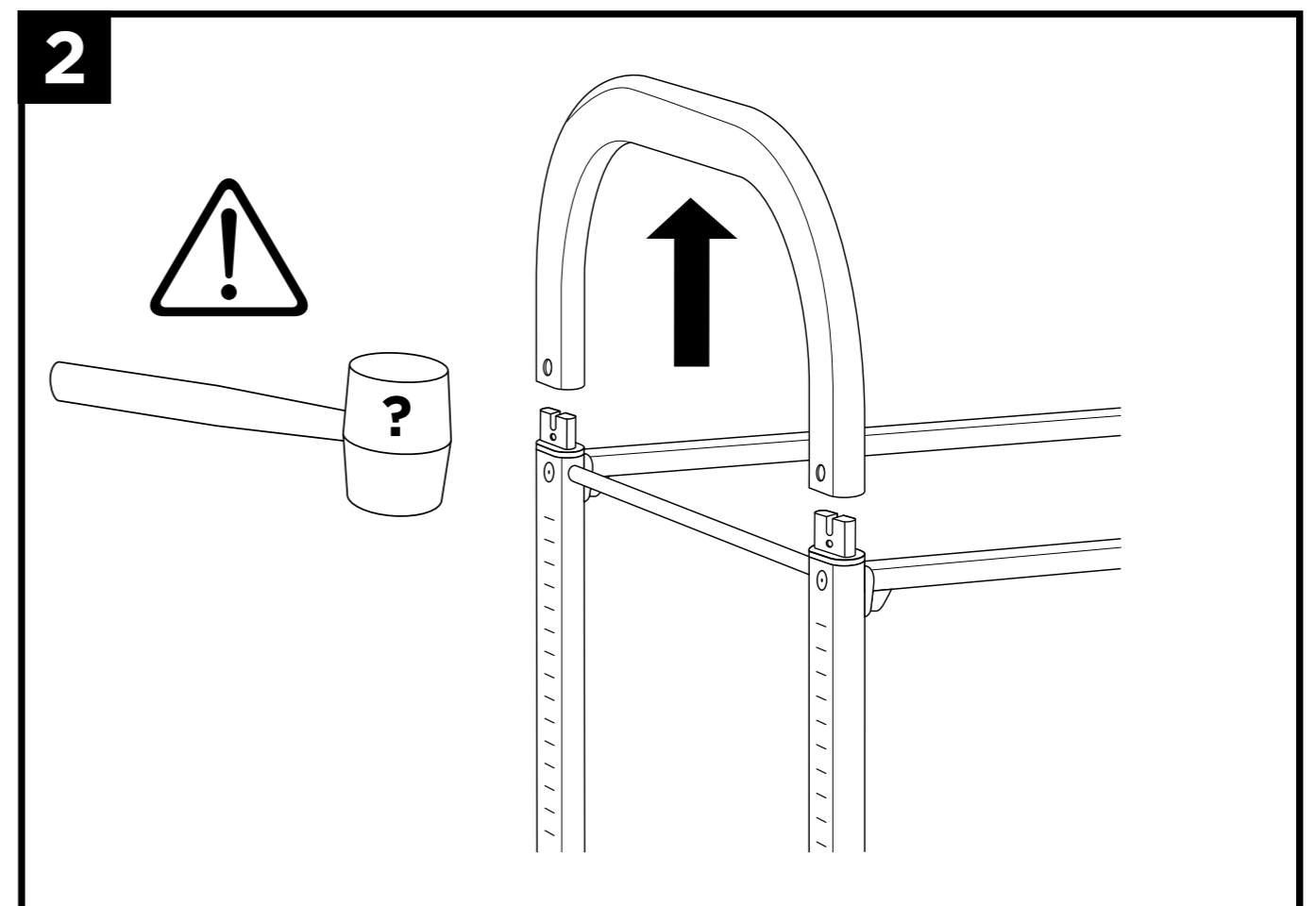
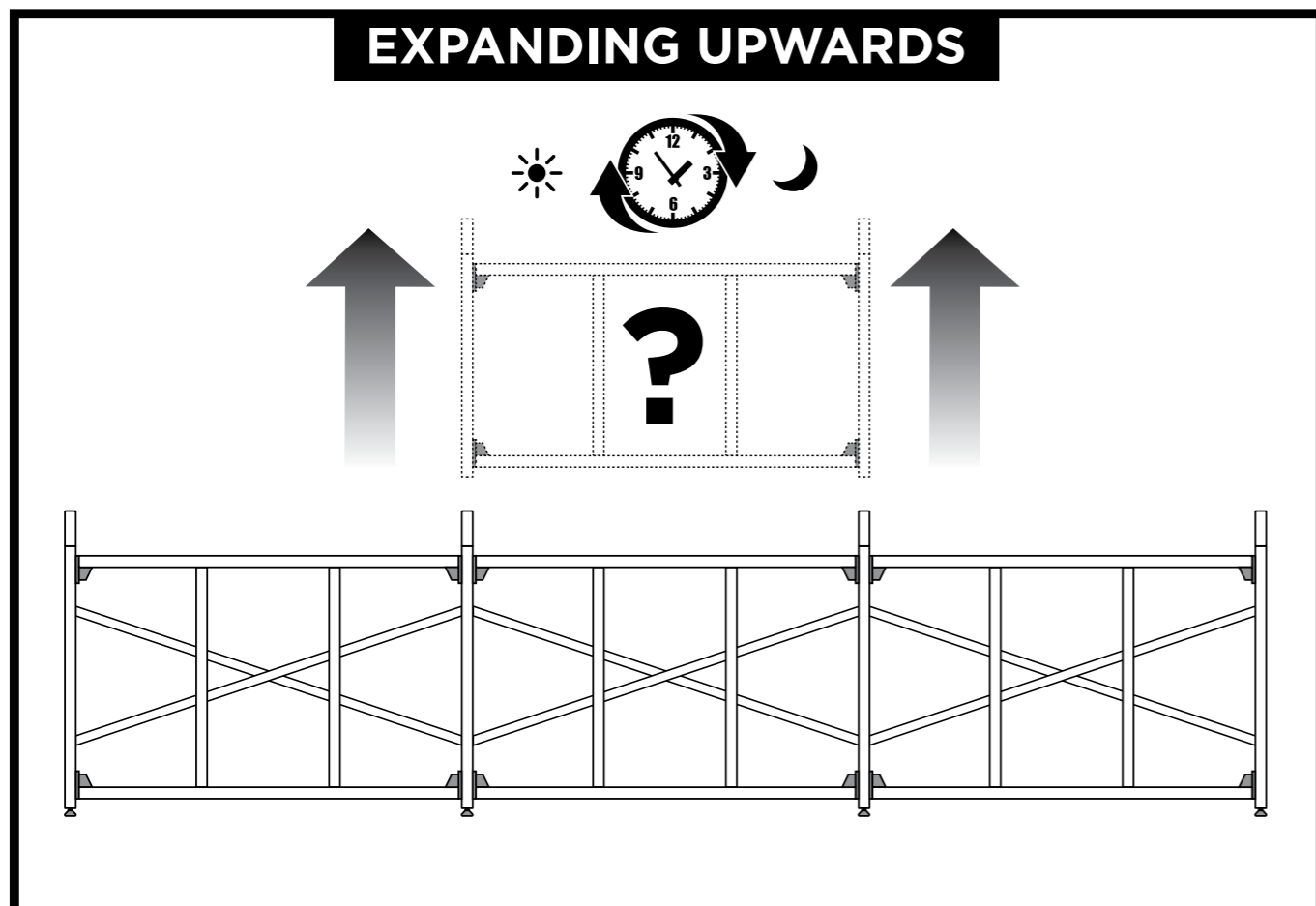
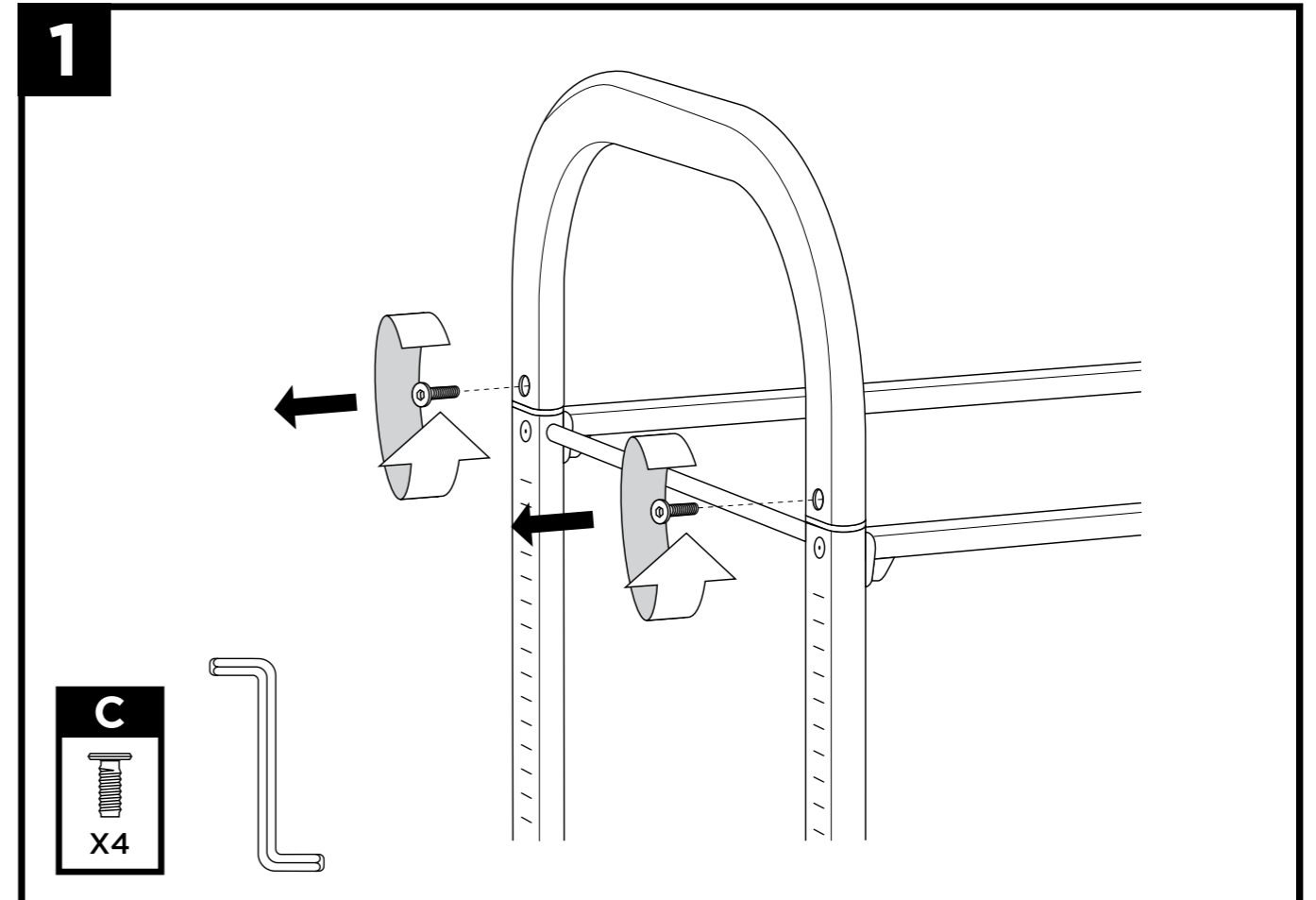
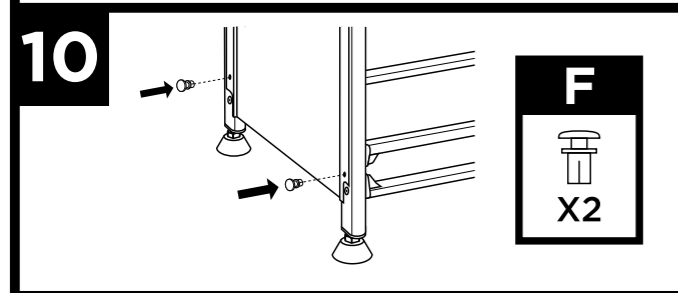
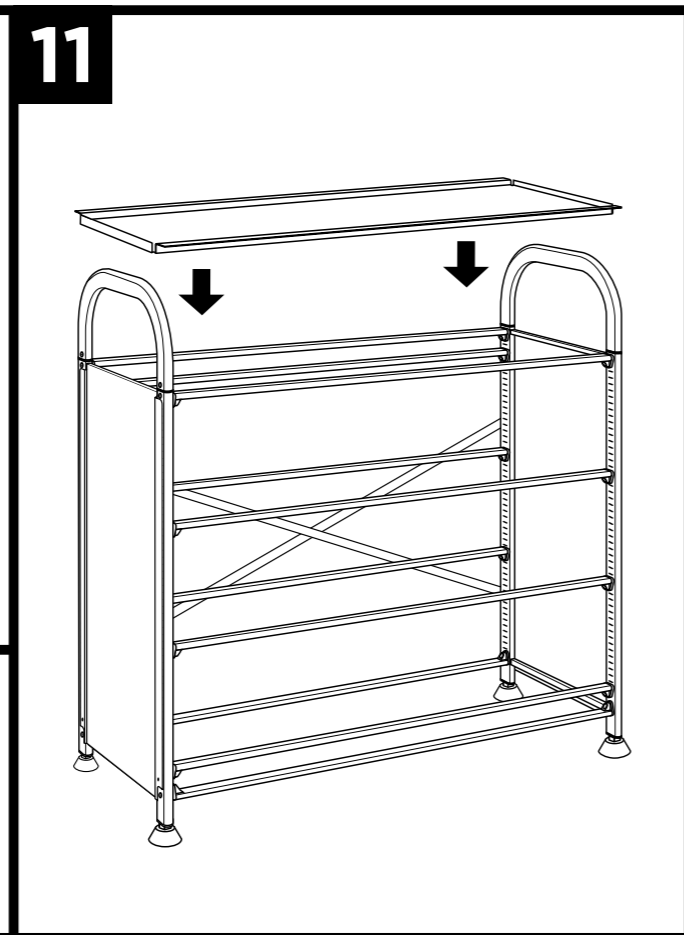
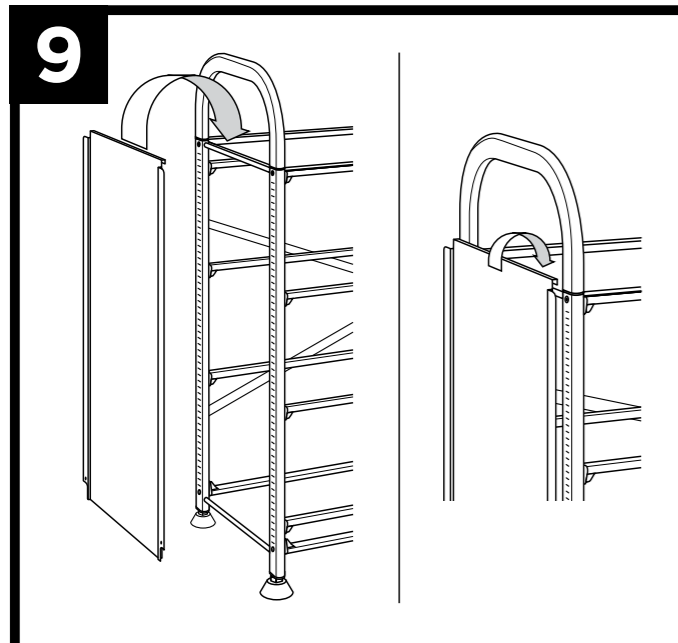
BOX C

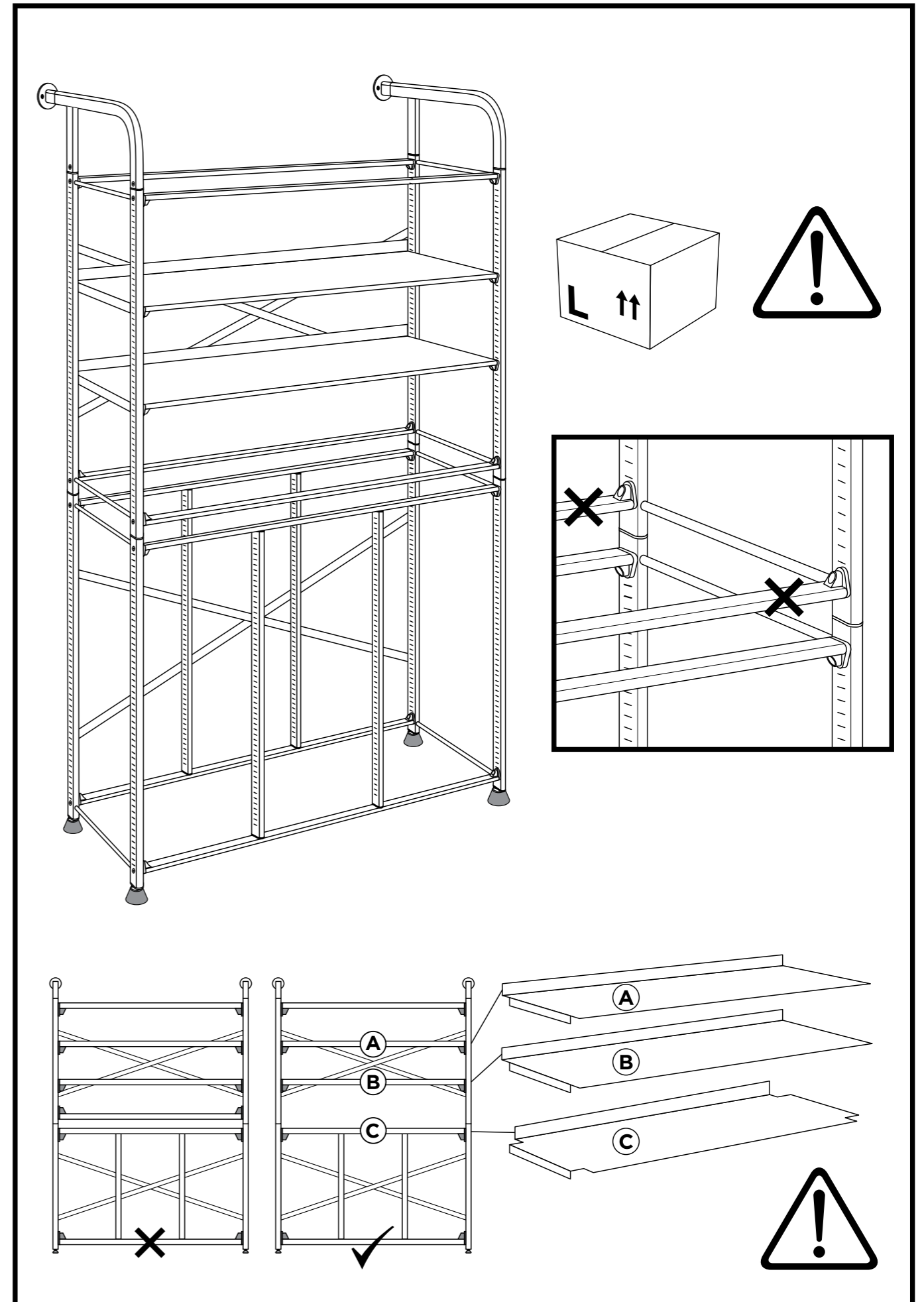
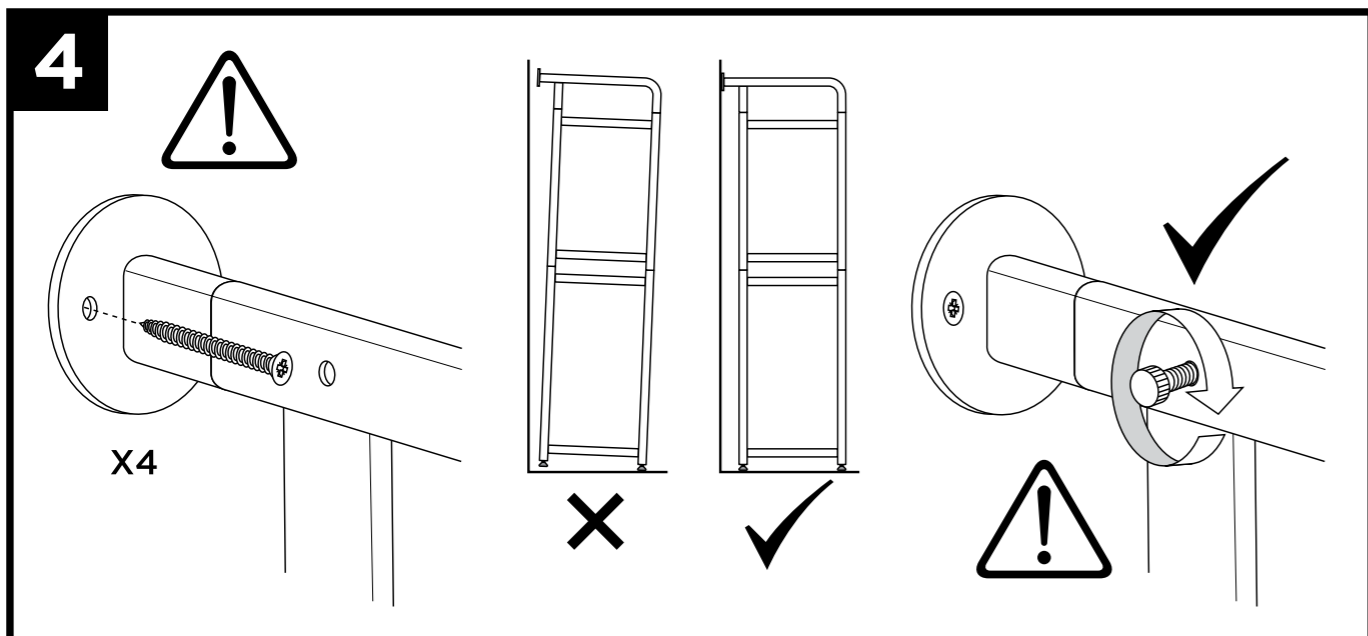
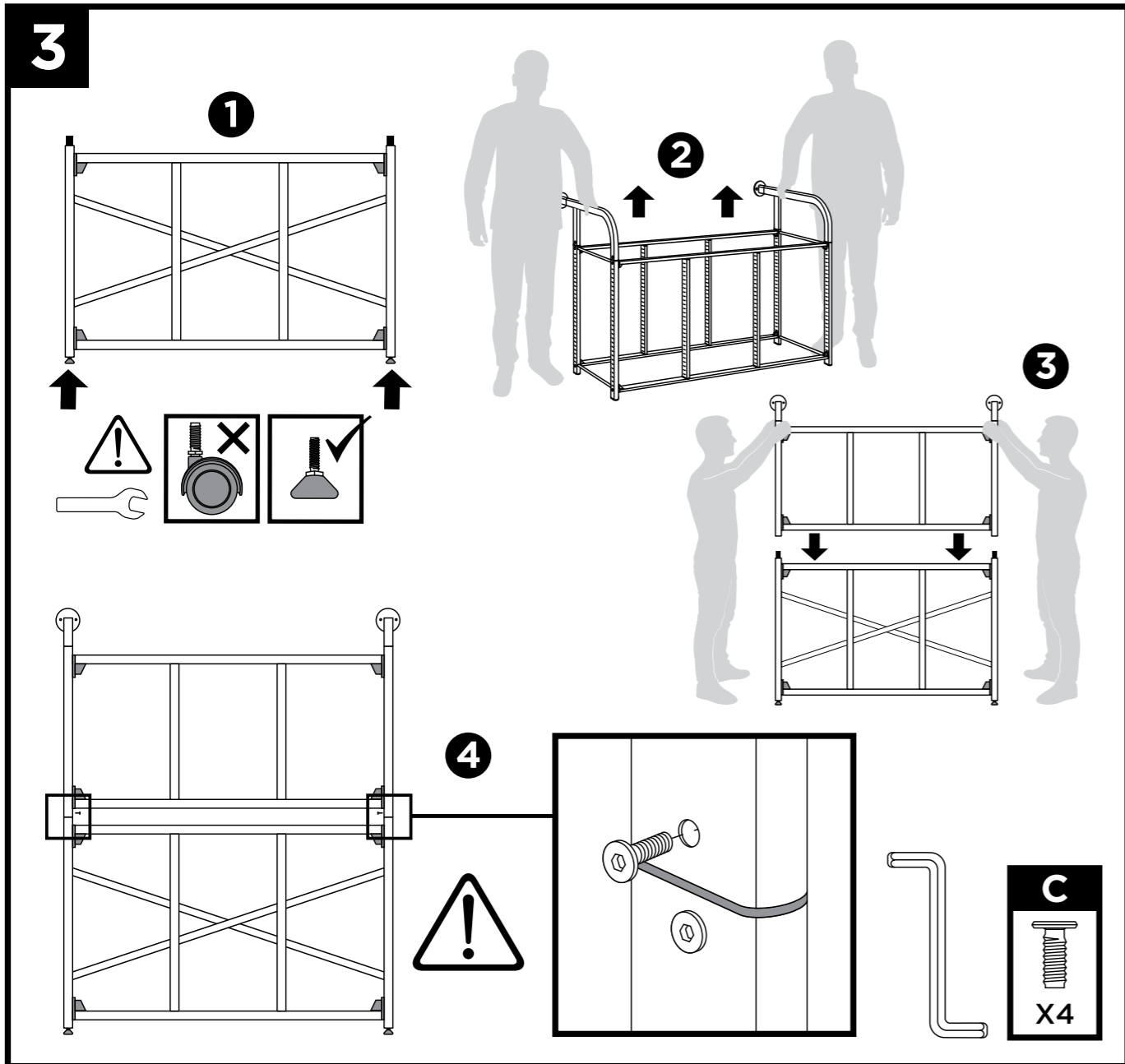
BOX D

BOX E







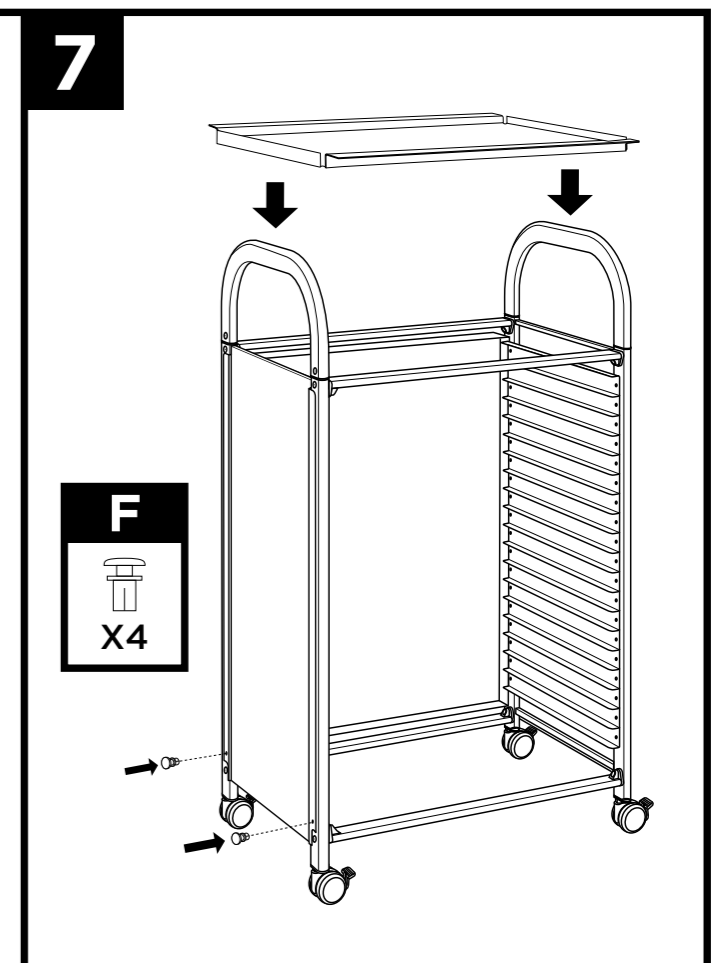
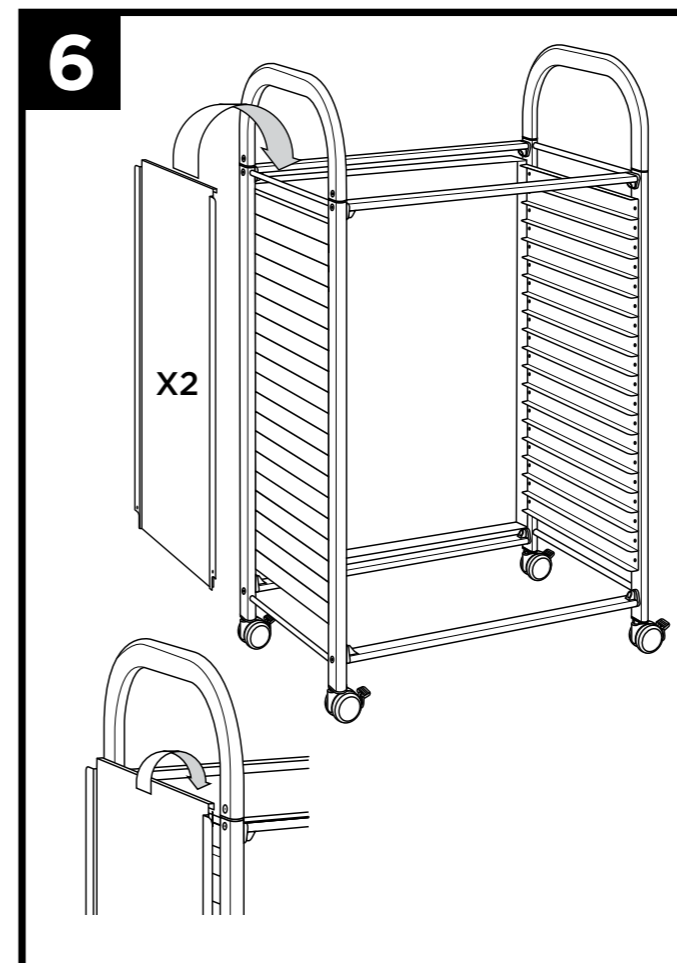
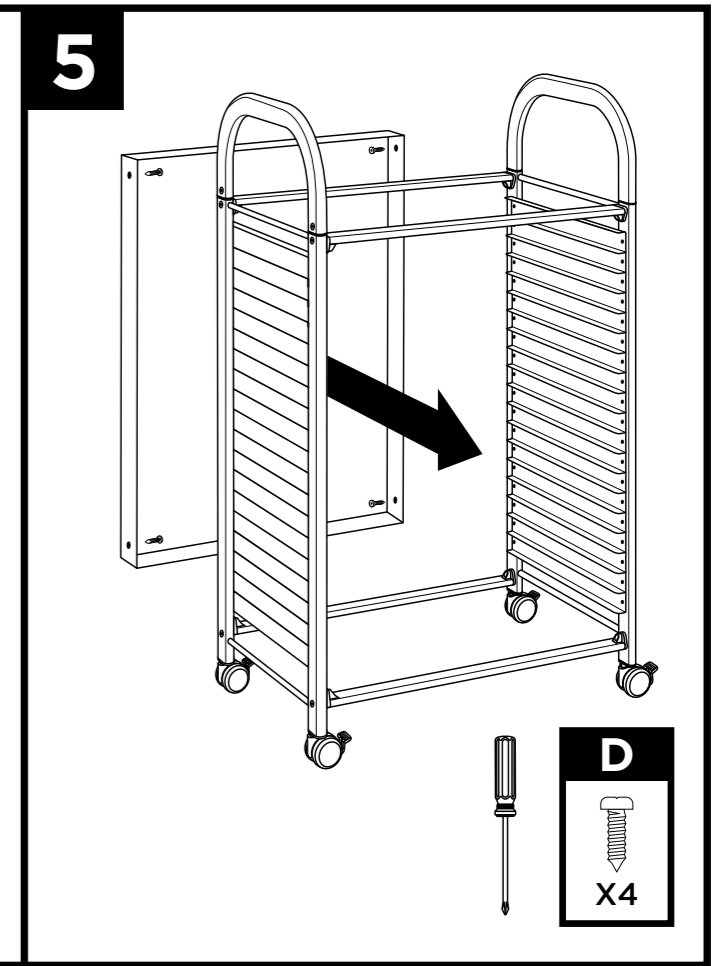
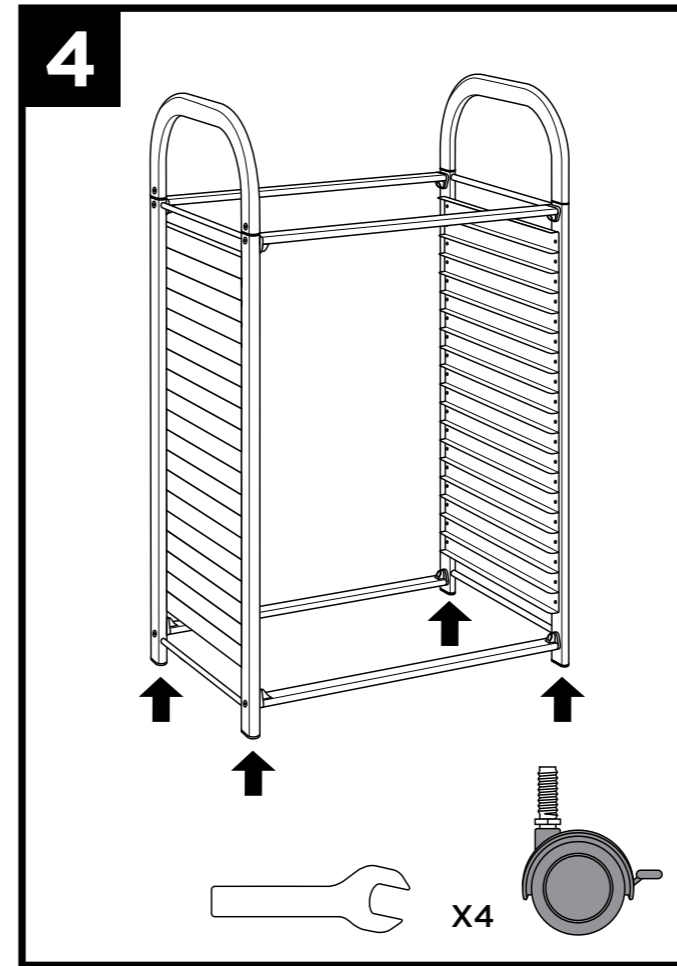
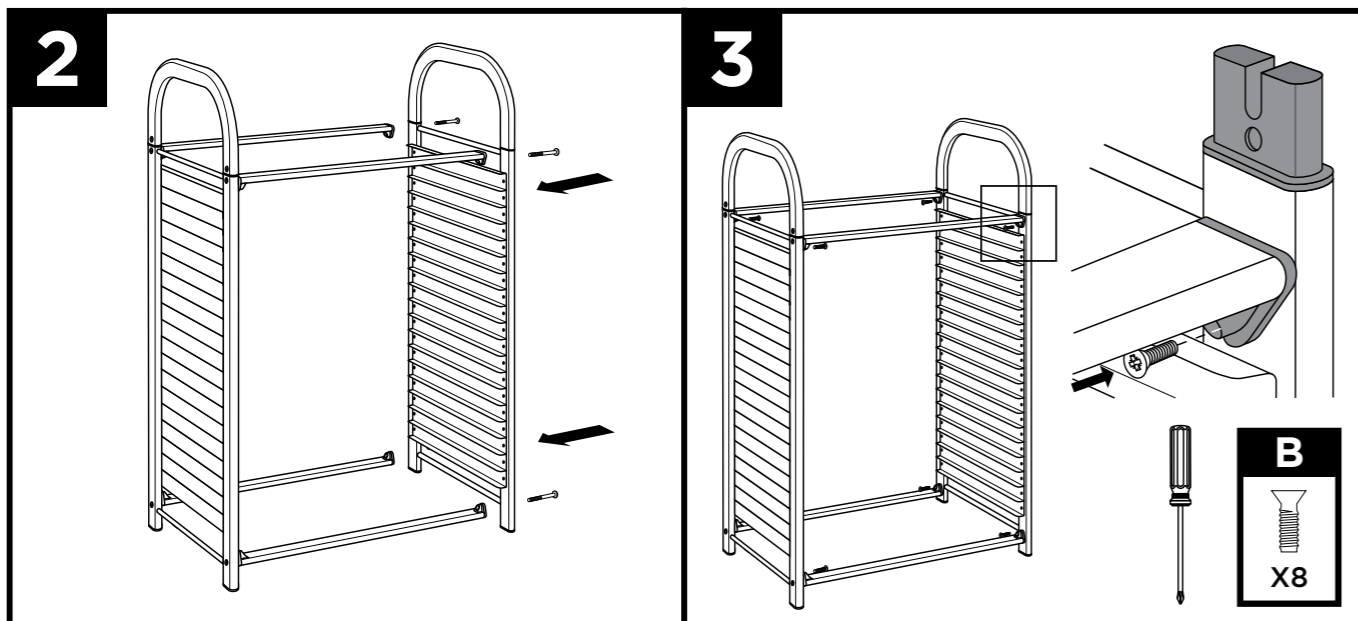
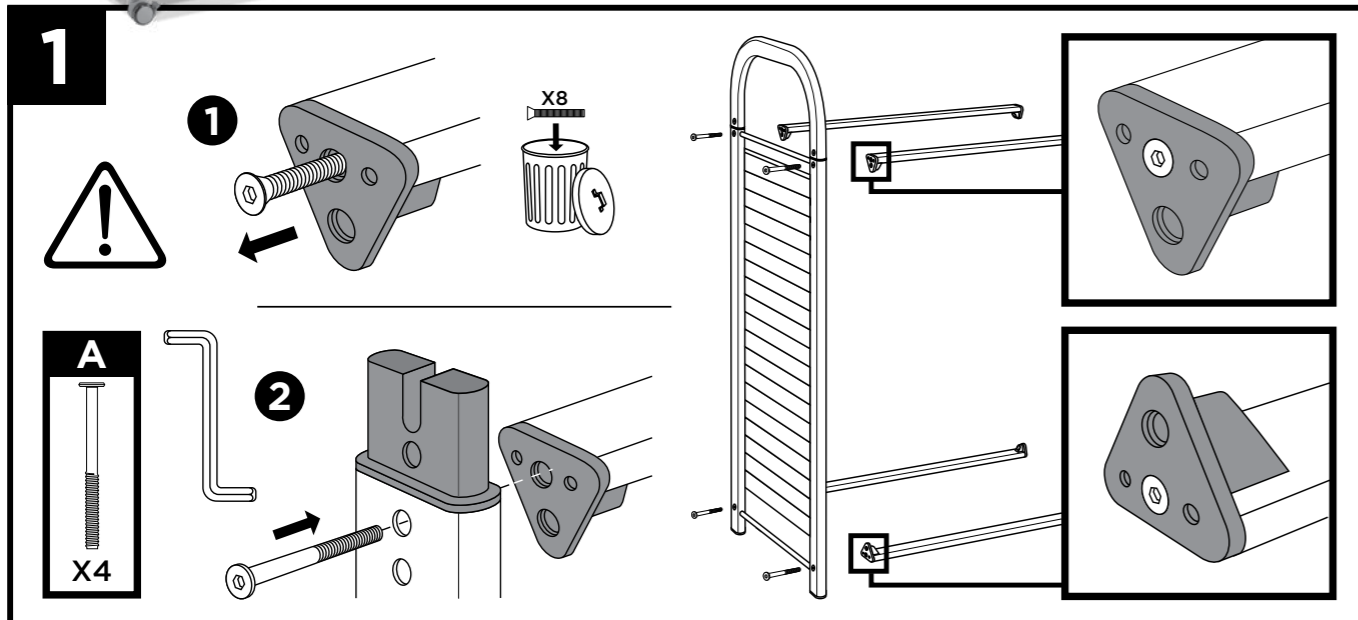
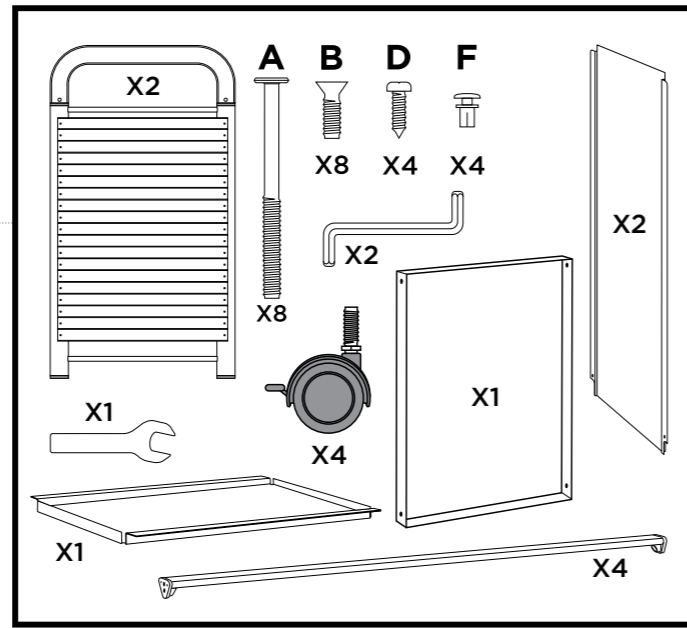
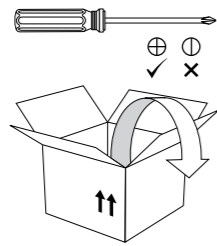


callero

Storage with style.



Art Trolley
 Dimensions: 945(H) x 565(W) x 500mm(D).



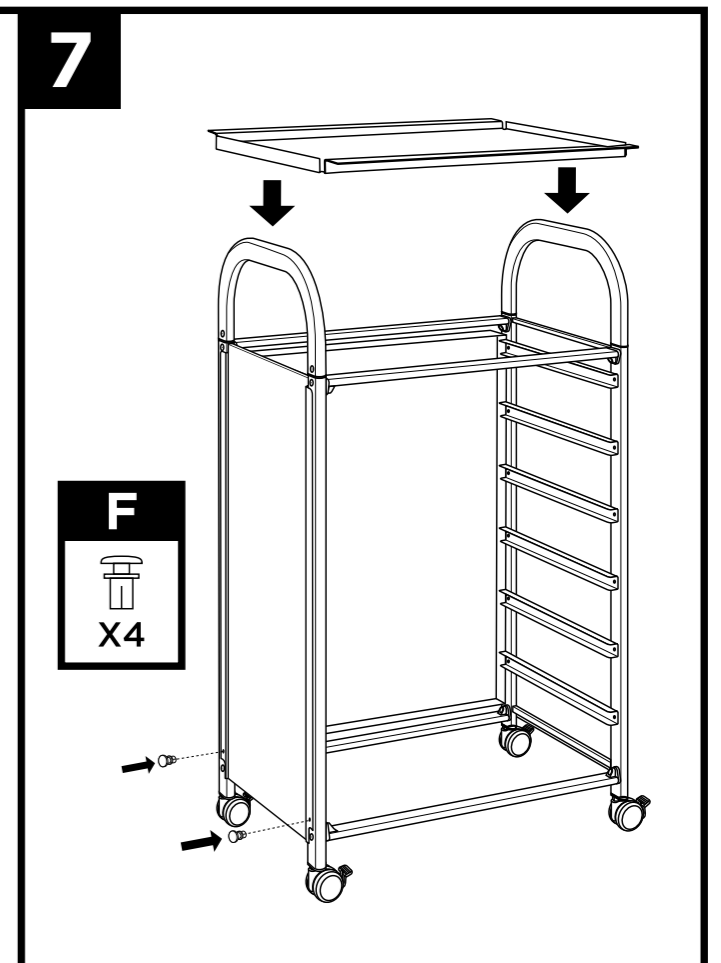
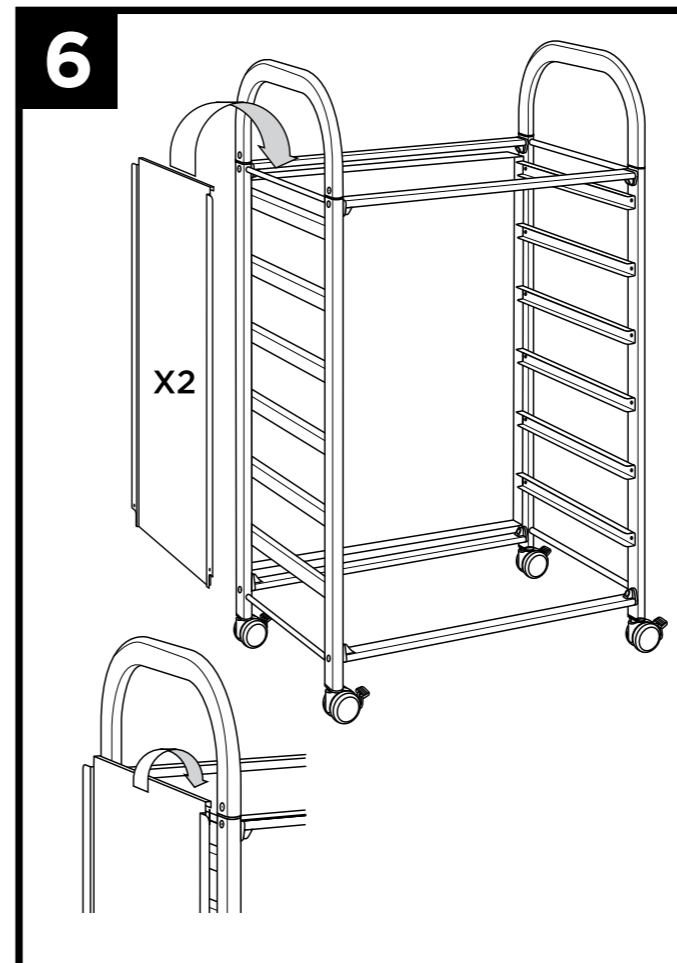
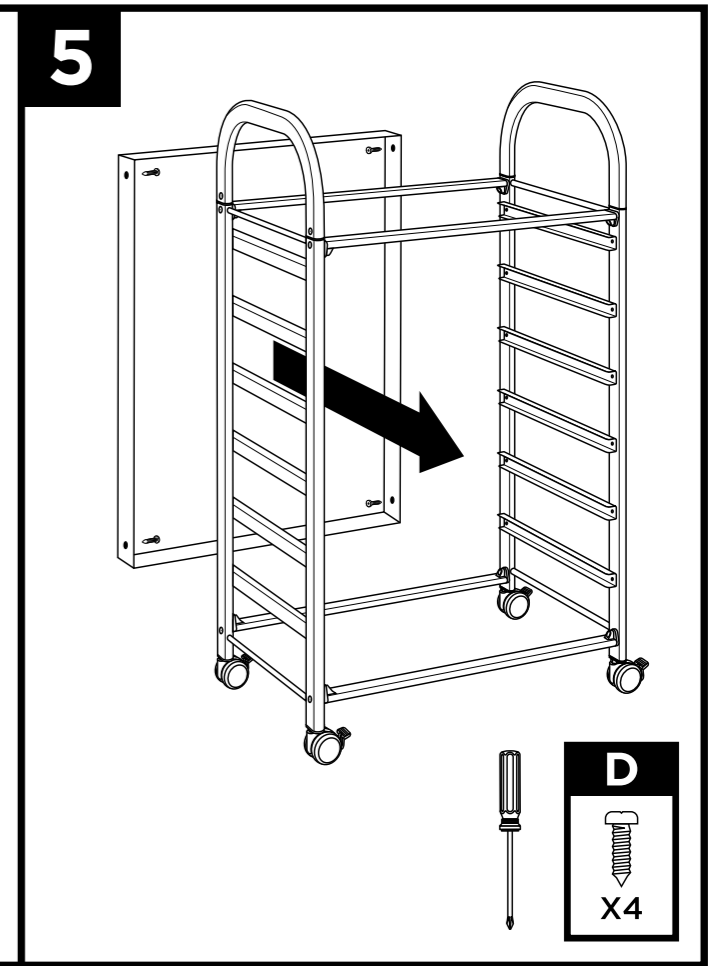
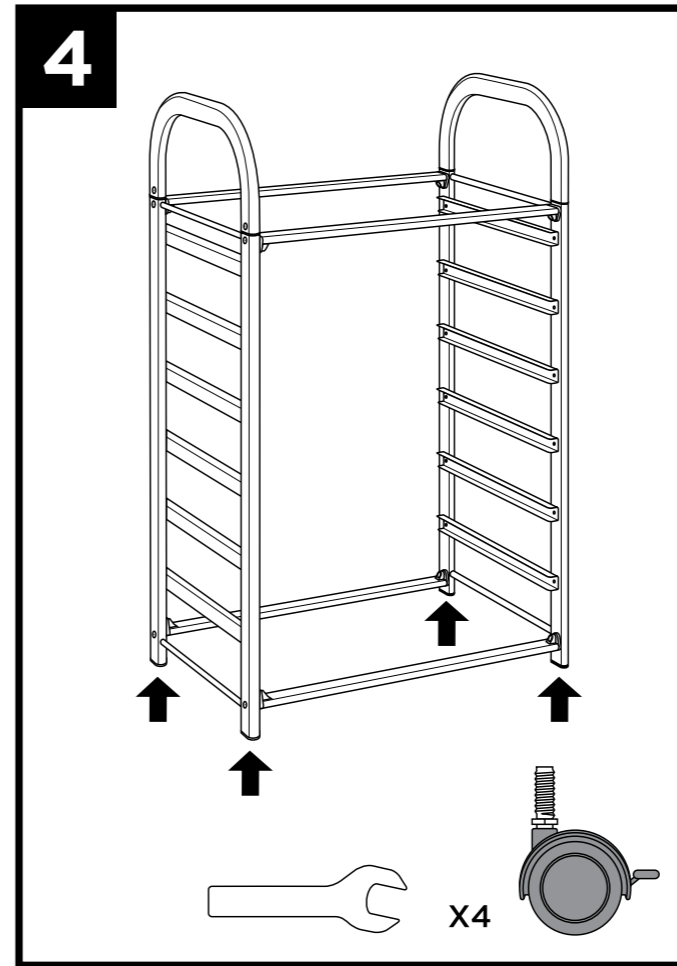
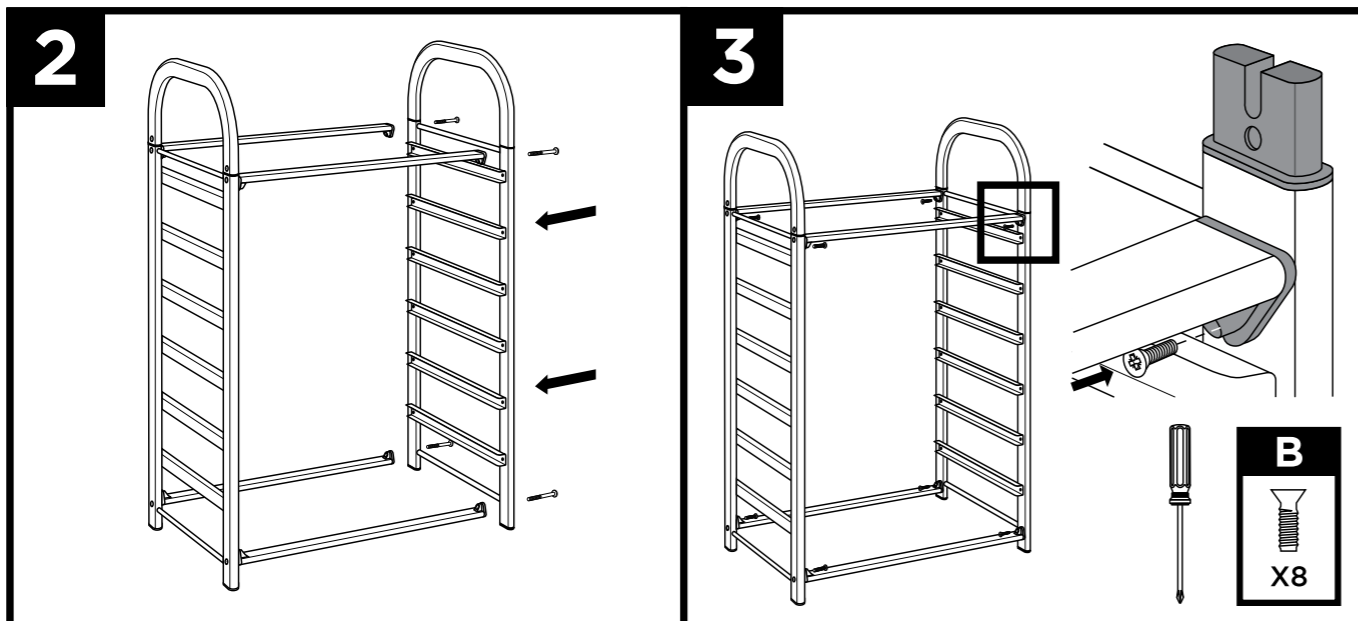
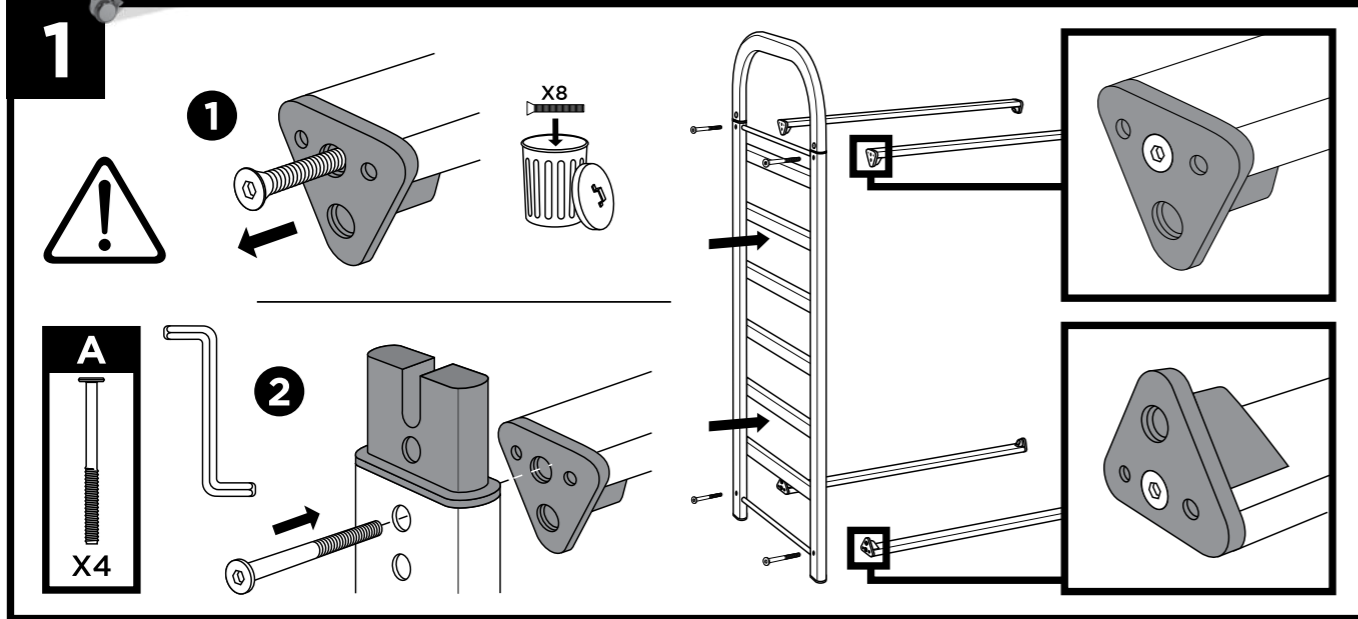
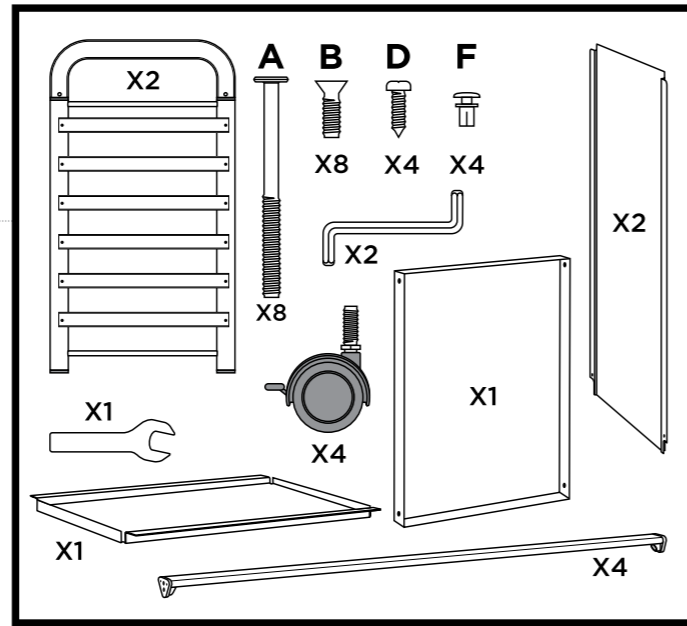
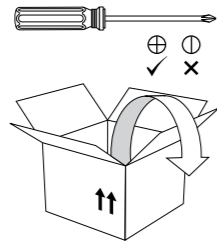
callero

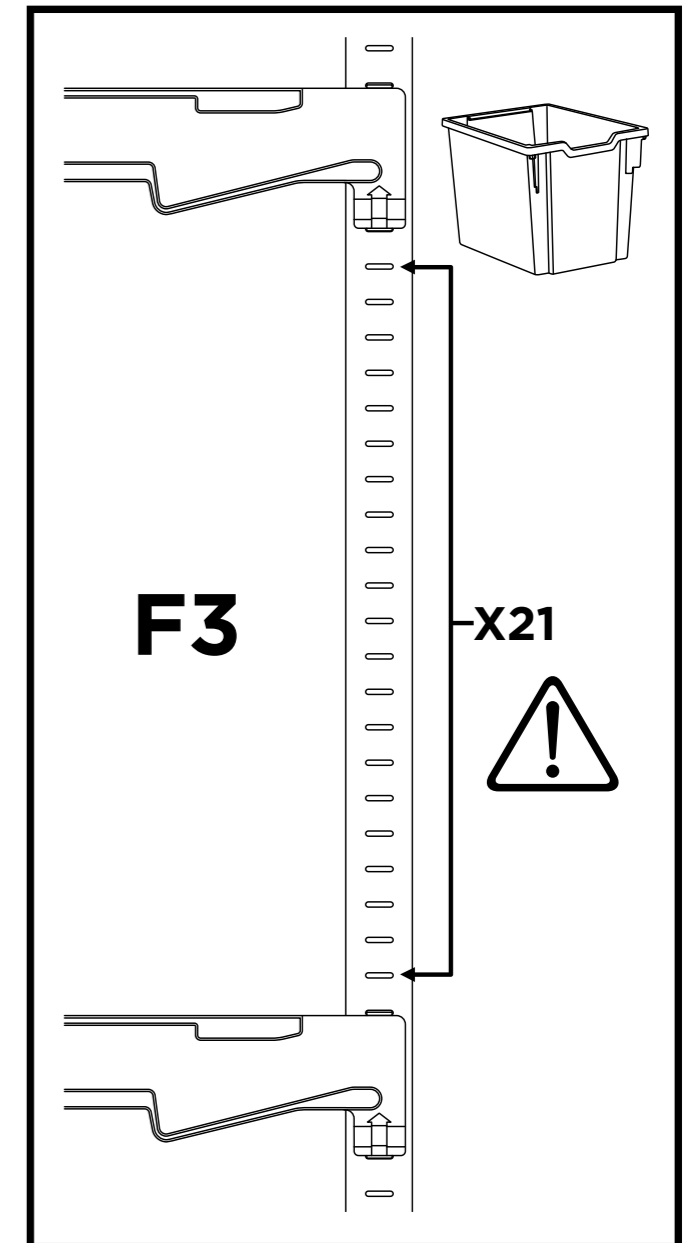
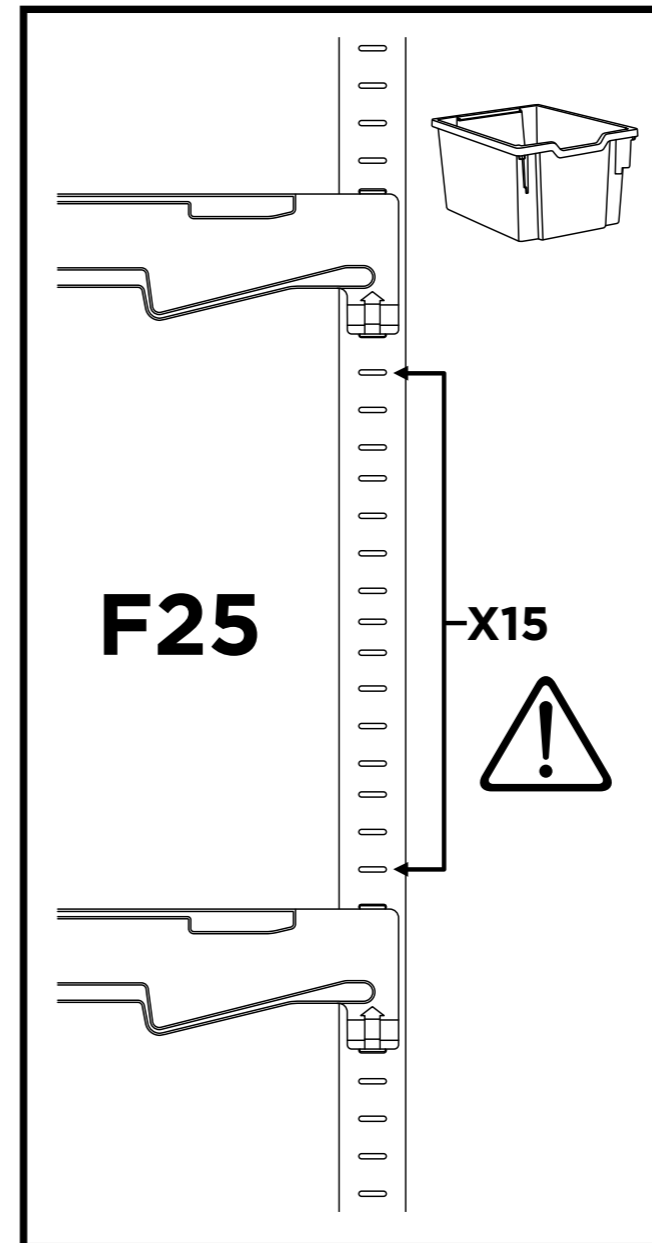
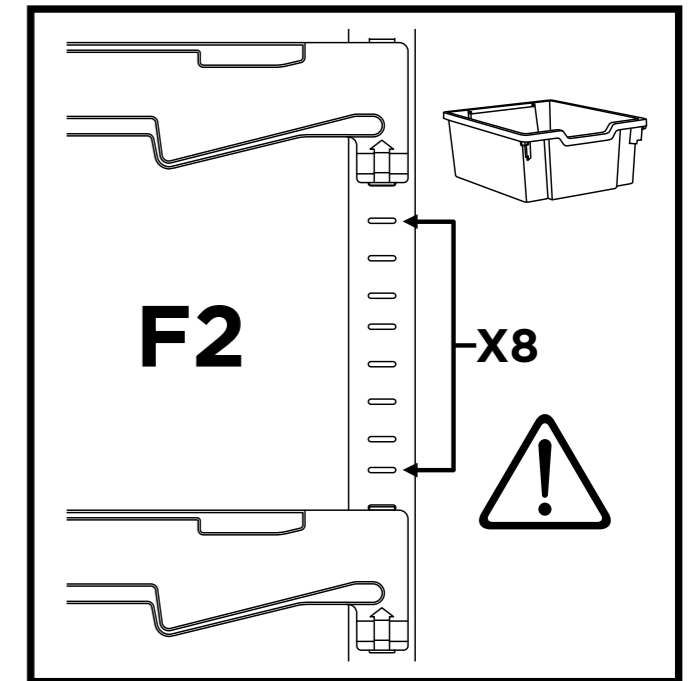
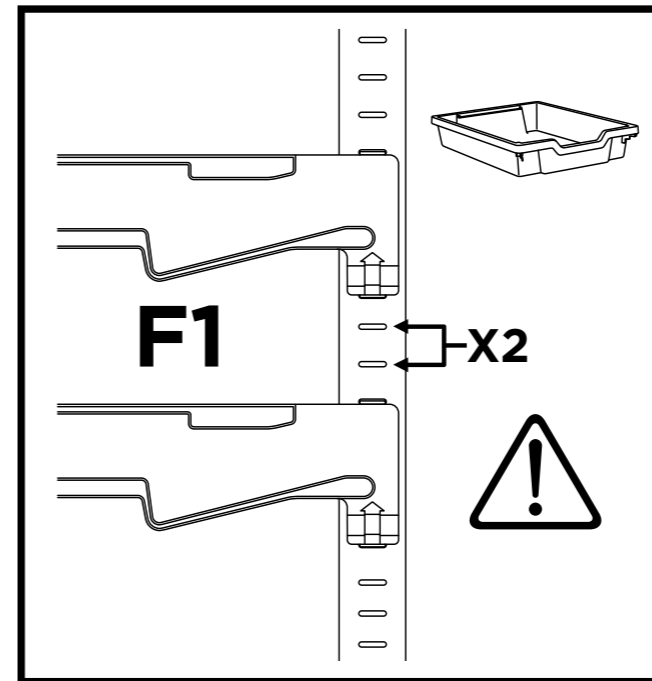
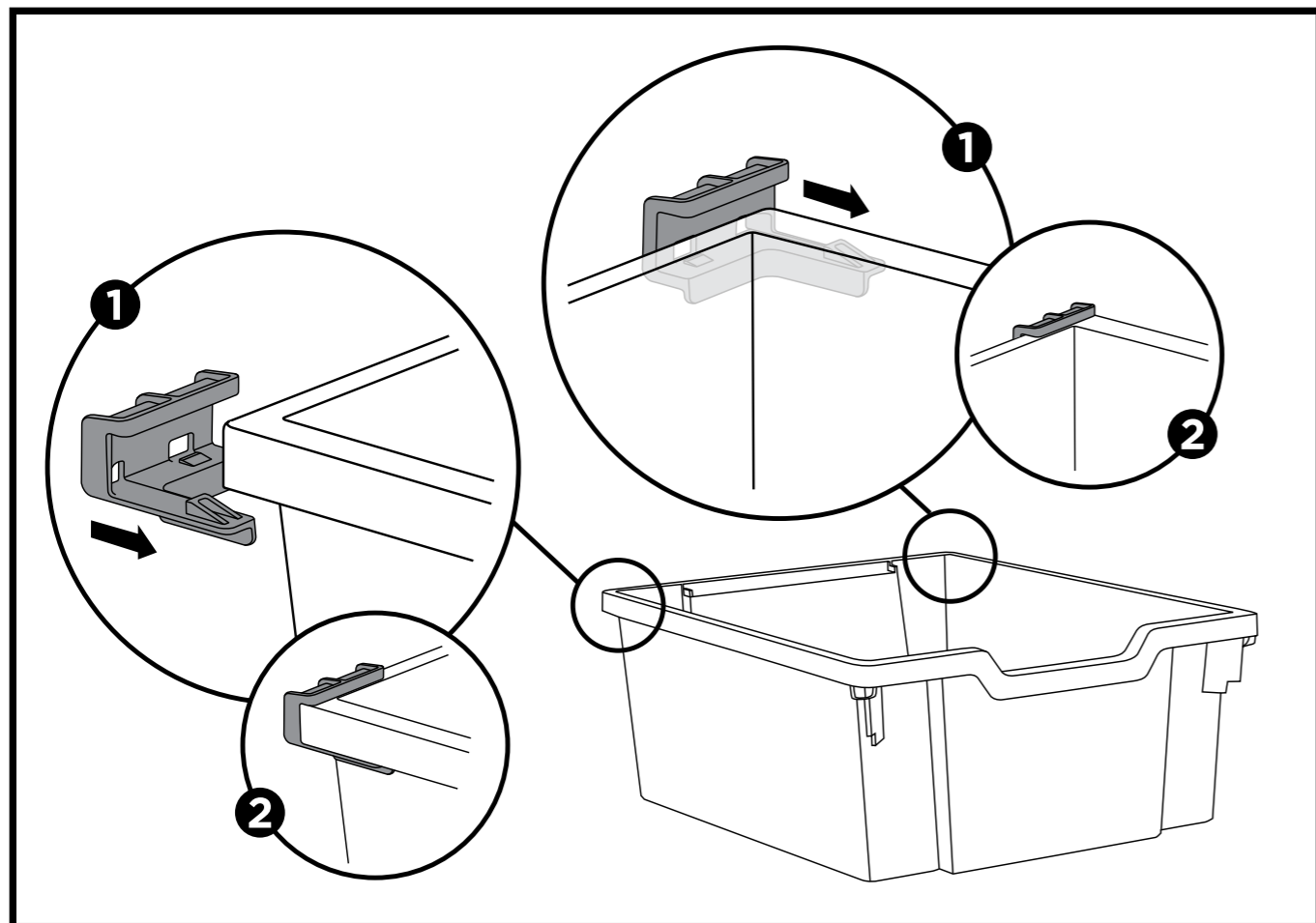
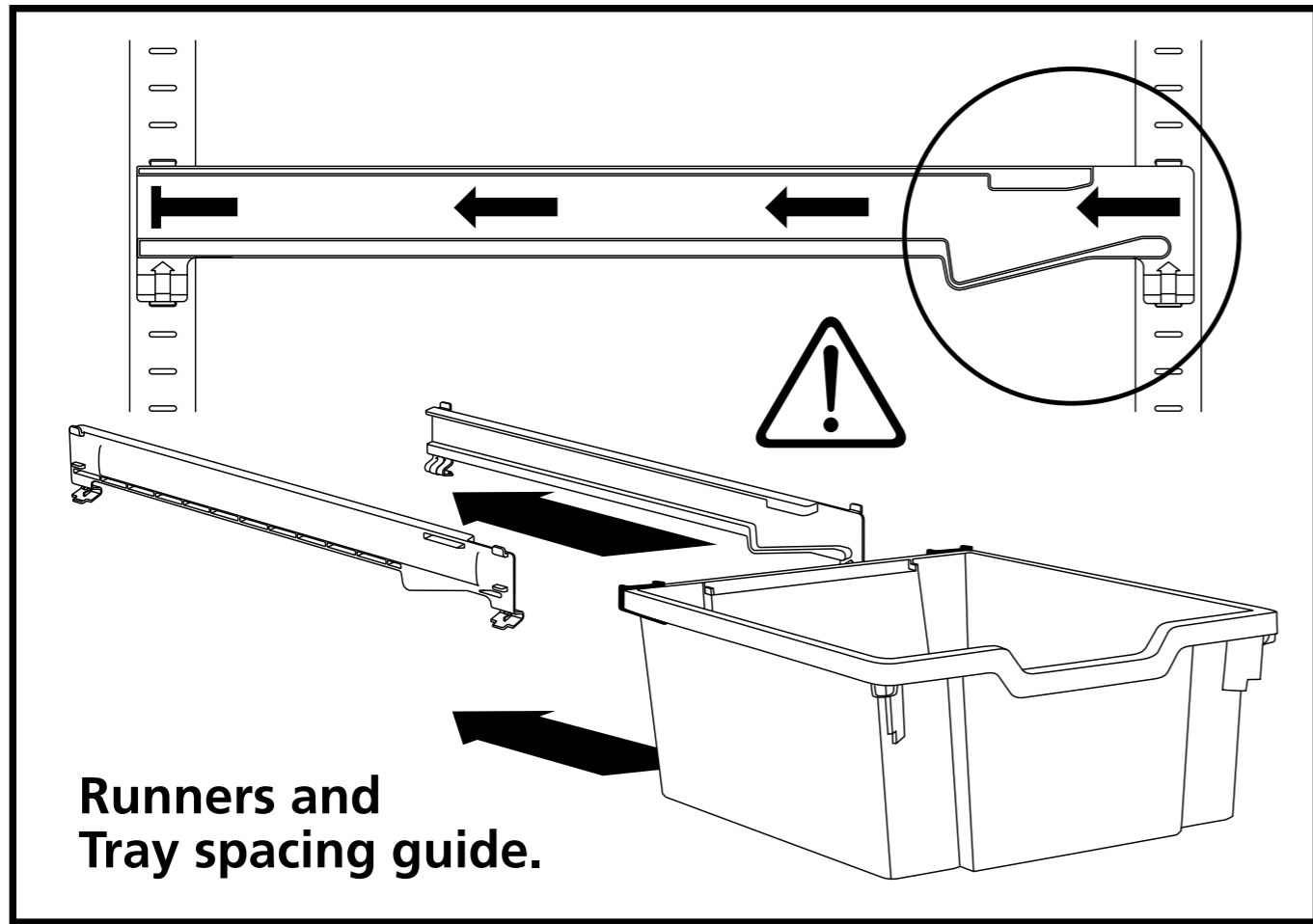
Storage with style.



A3 Paper Trolley

Dimensions: 945(H) x 500(W) x 500mm(D).





callero

Storage with style.



callero

Storage with style.

