

callero
Storage with style.

Tilted Shelf Unit Instruction Manual



Gratnells LLC
4500 140th Avenue North
Suite 101
Clearwater
FL 33762
USA

1-727 325 2904
mail@learning-rooms.com
www.gratnells.com

Gratnells Ltd
8 Howard Way
Harlow
Essex
CM20 2SU
UK

+44 1279 401 550
customerservice@gratnells.co.uk
www.gratnells.com

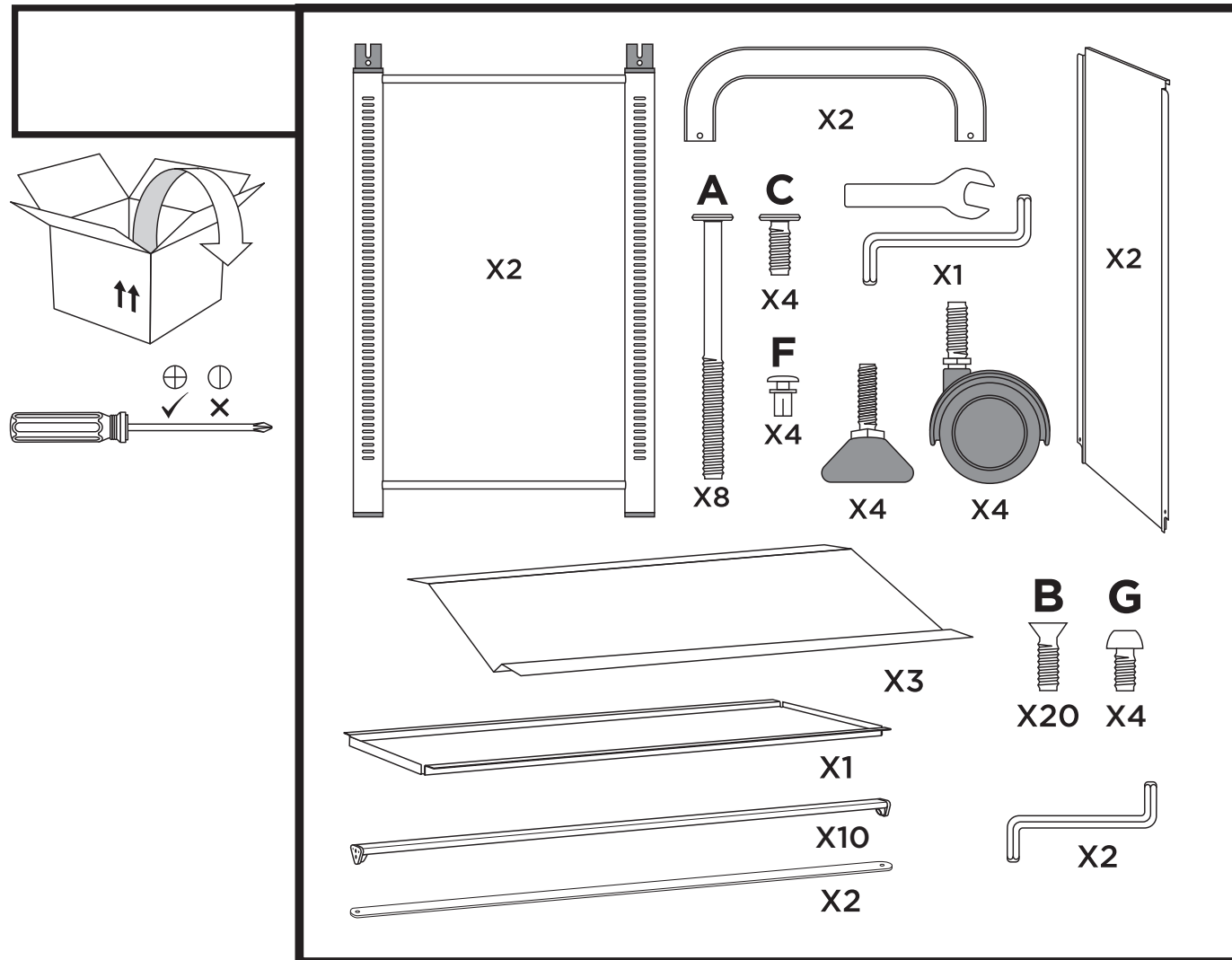
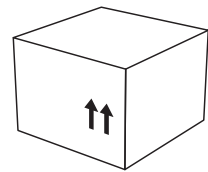


callero

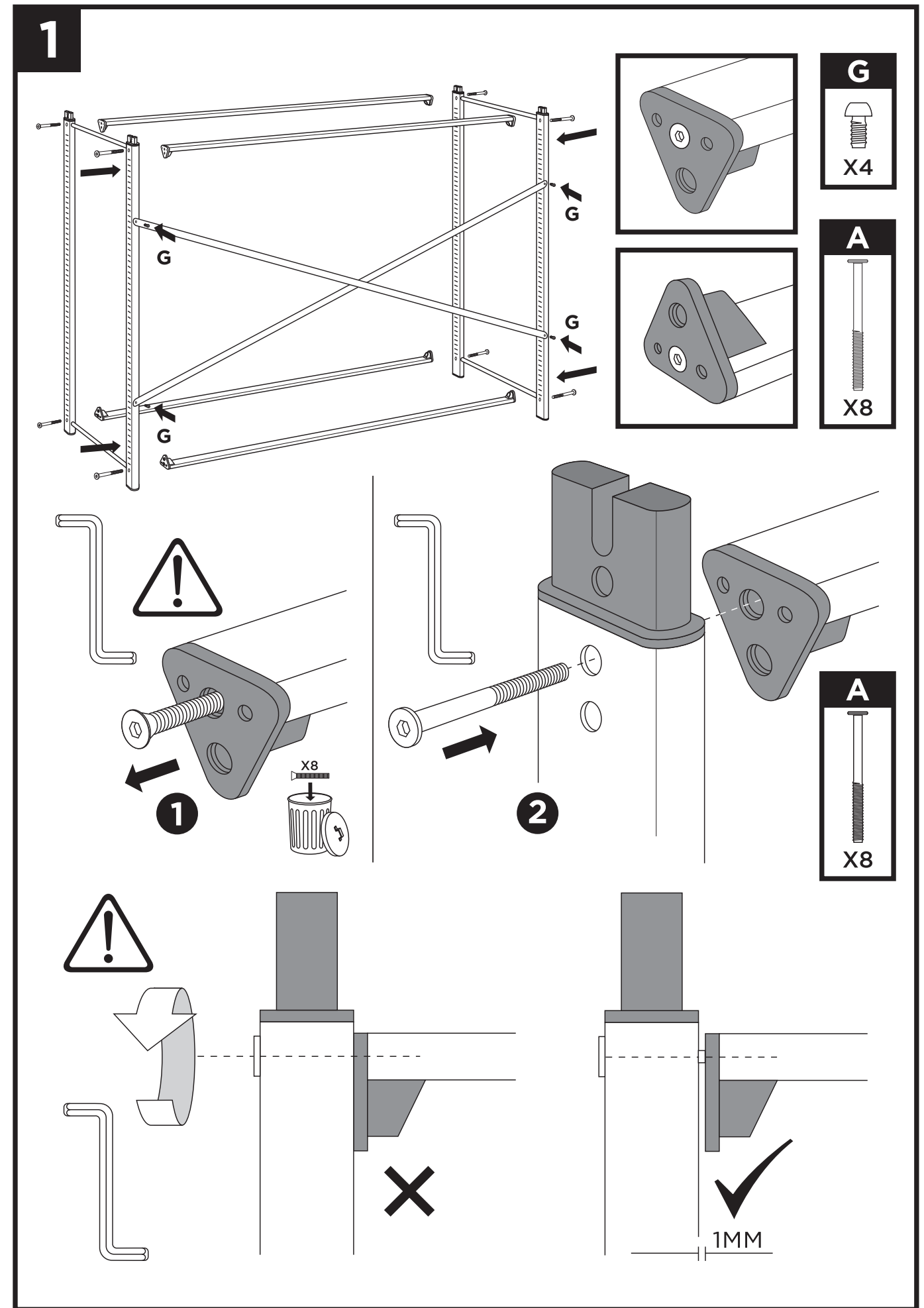
Storage with style.

Tilted Shelf Unit

Dimensions: 1030(H) x 1025(W) x 435mm(D).



2



3

