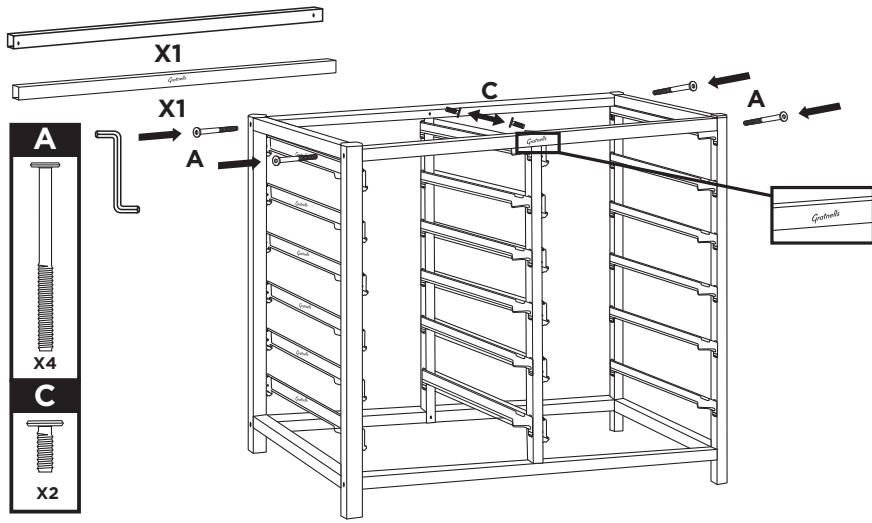
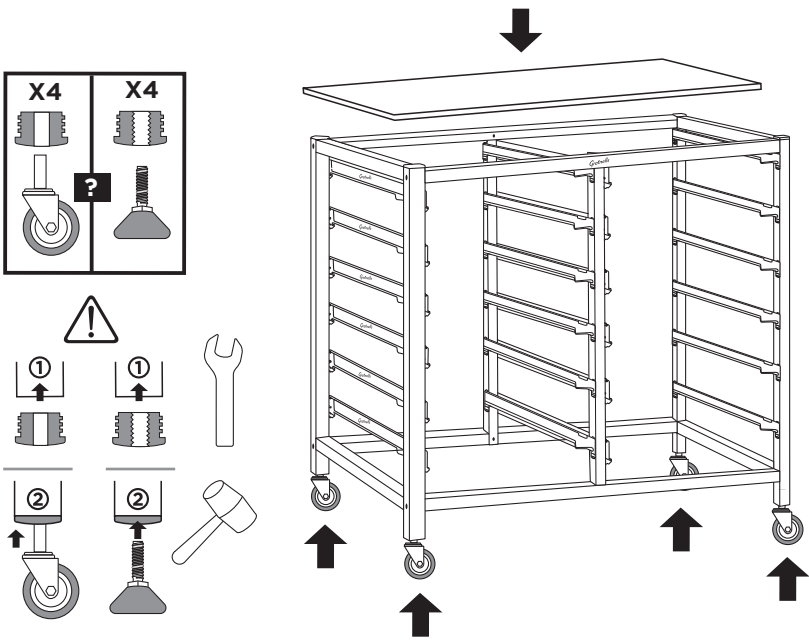


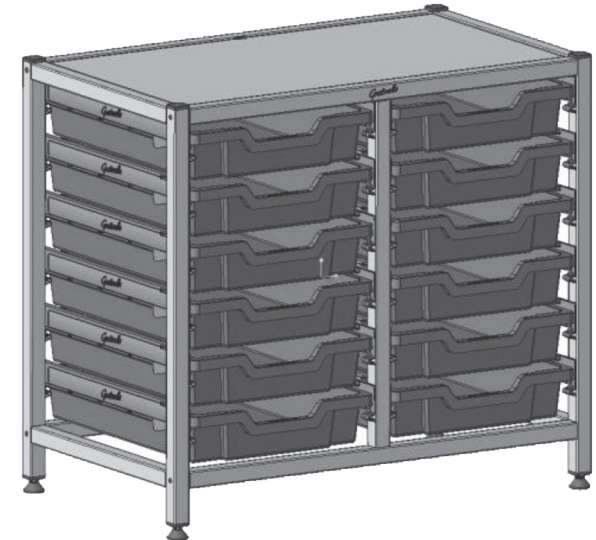
4







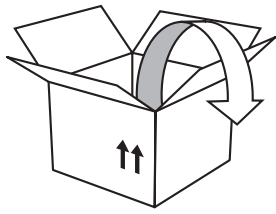
5



DYNAMIS STOP SAFE

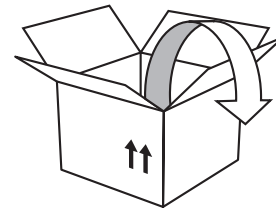
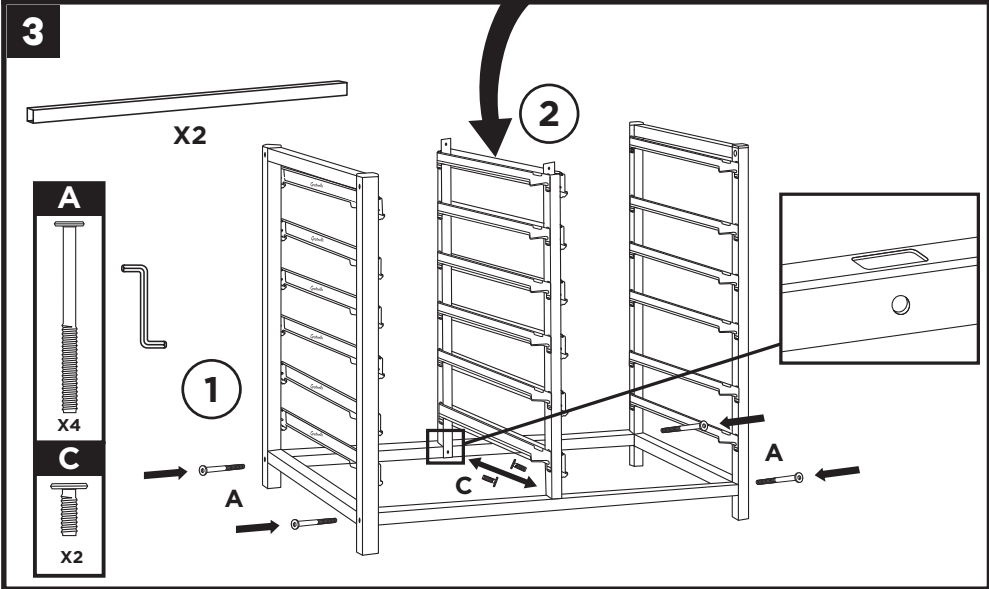
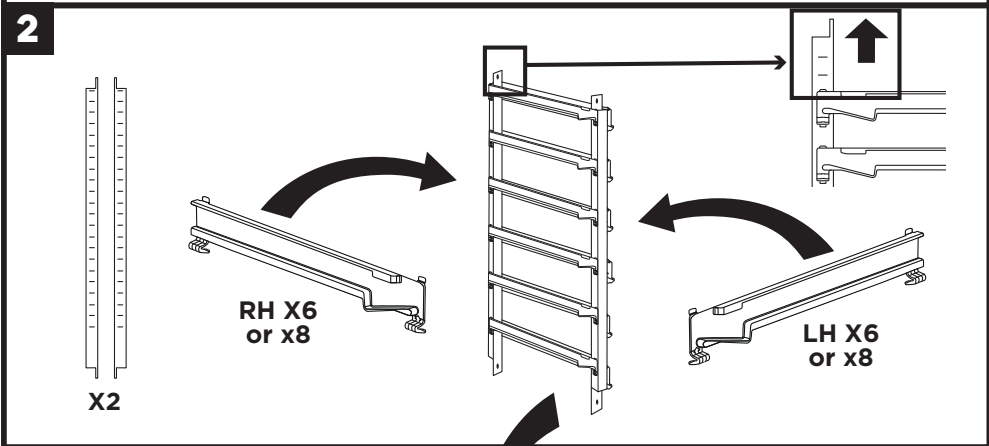
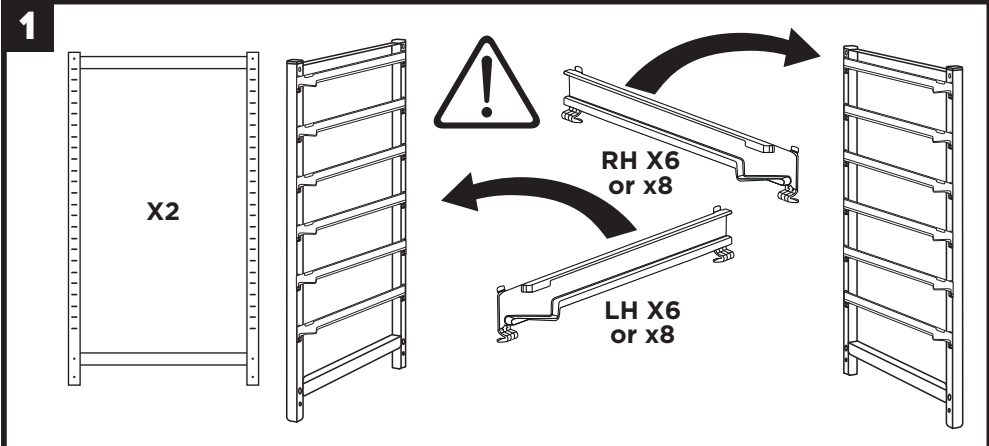
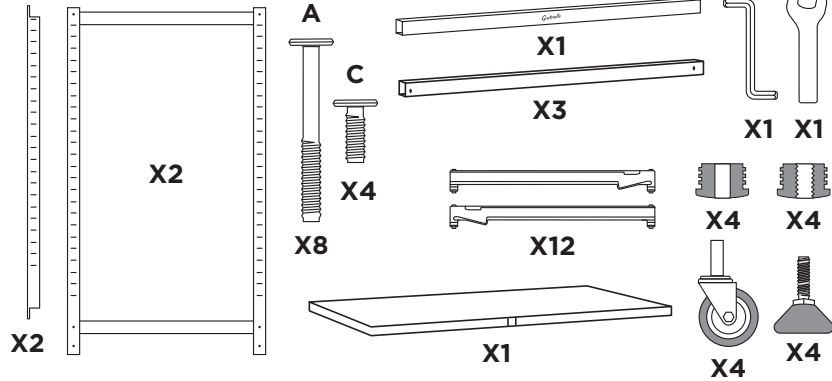


Low double unit 6 RUNNER	Mid double unit 8 RUNNER
W715 x D420 x H725 with castors W715 x D420 x H655 with feet	W715 x D420 x H935 with castors W715 x D420 x H865 with feet
 DYTL244 (silver) OR  DYTL232 (powder blue)	 DYTM244 (silver) OR  DYTM232 (powder blue)



Low double unit | 6 runner DYTL244 or DYTL232

H715 x W714 x D420



Mid double unit | 8 runner DYTM244 or DYTM232

H952 x W714 x D420

